

ASME B31.8-2022
(Revision of ASME B31.8-2020)

Gas Transmission and Distribution Piping Systems

ASME Code for Pressure Piping, B31

AN INTERNATIONAL PIPING CODE®



**The American Society of
Mechanical Engineers**

ASME B31.8-2022
(Revision of ASME B31.8-2020)

Gas Transmission and Distribution Piping Systems

ASME Code for Pressure Piping, B31

AN INTERNATIONAL PIPING CODE®



**The American Society of
Mechanical Engineers**

Two Park Avenue • New York, NY • 10016 USA

Date of Issuance: December 22, 2022

The next edition of this Code is scheduled for publication in 2024. This Code will become effective 6 months after the Date of Issuance.

ASME issues written replies to inquiries concerning interpretations of technical aspects of this Code. Interpretations are published on the Committee web page and under <http://go.asme.org/Interpretations>. Periodically certain actions of the ASME B31 Committee may be published as Cases. Cases are published on the ASME website under the B31 Committee Page at <http://go.asme.org/B31committee> as they are issued.

Errata to codes and standards may be posted on the ASME website under the Committee Pages of the associated codes and standards to provide corrections to incorrectly published items, or to correct typographical or grammatical errors in codes and standards. Such errata shall be used on the date posted.

The B31 Committee Page can be found at <http://go.asme.org/B31committee>. The associated B31 Committee Pages for each code and standard can be accessed from this main page. There is an option available to automatically receive an e-mail notification when errata are posted to a particular code or standard. This option can be found on the appropriate Committee Page after selecting "Errata" in the "Publication Information" section.

ASME is the registered trademark of The American Society of Mechanical Engineers.

This international code or standard was developed under procedures accredited as meeting the criteria for American National Standards and it is an American National Standard. The standards committee that approved the code or standard was balanced to ensure that individuals from competent and concerned interests had an opportunity to participate. The proposed code or standard was made available for public review and comment, which provided an opportunity for additional public input from industry, academia, regulatory agencies, and the public-at-large.

ASME does not "approve," "rate," or "endorse" any item, construction, proprietary device, or activity. ASME does not take any position with respect to the validity of any patent rights asserted in connection with any items mentioned in this document, and does not undertake to insure anyone utilizing a standard against liability for infringement of any applicable letters patent, nor does ASME assume any such liability. Users of a code or standard are expressly advised that determination of the validity of any such patent rights, and the risk of infringement of such rights, is entirely their own responsibility.

Participation by federal agency representatives or persons affiliated with industry is not to be interpreted as government or industry endorsement of this code or standard.

ASME accepts responsibility for only those interpretations of this document issued in accordance with the established ASME procedures and policies, which precludes the issuance of interpretations by individuals.

No part of this document may be reproduced in any form,
in an electronic retrieval system or otherwise,
without the prior written permission of the publisher.

The American Society of Mechanical Engineers
Two Park Avenue, New York, NY 10016-5990

Copyright © 2022 by
THE AMERICAN SOCIETY OF MECHANICAL ENGINEERS
All rights reserved
Printed in U.S.A.

CONTENTS

	Foreword	viii
	Committee Roster	x
	Correspondence With the B31 Committee	xiv
	Introduction	xvi
	Summary of Changes	xviii
	General Provisions and Definitions	1
801	General	1
802	Scope and Intent	1
803	Piping Systems Definitions	2
804	Piping Systems Component Definitions	5
805	Design, Fabrication, Operation, and Testing Terms and Definitions	7
806	Quality Assurance	13
807	Training and Qualification of Personnel	13
Chapter I	Materials and Equipment	15
810	Materials and Equipment	15
811	Qualification of Materials and Equipment	15
812	Materials for Use in Low-Temperature Applications	16
813	Marking	16
814	Material Specifications	16
815	Equipment Specifications	17
816	Transportation of Line Pipe	17
817	Conditions for the Reuse of Pipe	17
Chapter II	Welding	20
820	Welding	20
821	General	20
822	Preparation for Welding	20
823	Qualification of Procedures and Welders	21
824	Preheating	21
825	Stress Relieving	22
826	Weld Examination Requirements	23
827	Repair or Removal of Defective Welds in Piping Intended to Operate at Hoop Stress Levels of 20% or More of the Specified Minimum Yield Strength	23
Chapter III	Piping System Components and Fabrication Details	24
830	General	24
831	Piping System Components	24
832	Expansion and Flexibility	31
833	Design for Longitudinal Stress	33
834	Supports and Anchorage for Exposed Piping	35

835	Anchorage for Buried Piping	36
836	Liquid Removal Equipment	37
Chapter IV	Design, Installation, and Testing	38
840	Design, Installation, and Testing	38
841	Steel Pipe	40
842	Other Materials	55
843	Compressor Stations	63
844	Pipe-Type and Bottle-Type Holders	66
845	Control and Limiting of Gas Pressure	68
846	Valves	74
847	Vaults	74
848	Customers' Meters and Regulators	75
849	Gas Service Lines	76
Chapter V	Operating and Maintenance Procedures	81
850	Operating and Maintenance Procedures Affecting the Safety of Gas Transmission and Distribution Facilities	81
851	Pipeline Maintenance	84
852	Distribution Piping Maintenance	91
853	Miscellaneous Facilities Maintenance	93
854	Location Class and Changes in Number of Buildings Intended for Human Occupancy	96
855	Pipeline Service Conversions	98
856	Odorization	99
857	Upgrading	99
Chapter VI	Corrosion Control	102
860	General	102
861	External Corrosion Control for Steel Pipelines	103
862	Cathodic Protection Criteria	105
863	Operation and Maintenance of Cathodic Protection Systems	105
864	Internal Corrosion Control	105
865	Steel Pipelines in Arctic Environments	107
866	Steel Pipelines in High-Temperature Service	107
867	Stress Corrosion and Other Phenomena	108
868	Cast Iron, Wrought Iron, Ductile Iron, and Other Metallic Pipelines	108
Chapter VII	Intentionally Left Blank	109
Chapter VIII	Offshore Gas Transmission	110
A800	Offshore Gas Transmission	110
A801	General	110
A802	Scope and Intent	110
A803	Offshore Gas Transmission Terms and Definitions	110
A811	Qualification of Materials and Equipment	112
A814	Material Specifications	112
A817	Conditions for the Reuse and Requalification of Pipe	112
A820	Welding Offshore Pipelines	112
A821	General	112
A823	Qualification of Procedures and Welders	113

A826	Weld Examination Requirements	113
A830	Piping System Components and Fabrication Details	113
A831	Piping System Components	113
A832	Expansion and Flexibility	113
A834	Supports and Anchorage for Exposed Piping	113
A835	Anchorage for Buried Piping	114
A840	Design, Installation, and Testing	114
A841	Design Considerations	114
A842	Strength Considerations	115
A843	Compressor Stations	119
A844	On-Bottom Stability	120
A846	Valves	121
A847	Testing	121
A850	Operating and Maintenance Procedures Affecting the Safety of Gas Transmission Facilities	122
A851	Pipeline Maintenance	122
A854	Location Class	123
A860	Corrosion Control of Offshore Pipelines	123
A861	External Corrosion Control	123
A862	Cathodic Protection Criteria	125
A864	Internal Corrosion Control	125
Chapter IX	Sour Gas Service	126
B800	Sour Gas Service	126
B801	General	126
B802	Scope and Intent	126
B803	Sour Gas Terms and Definitions	126
B813	Marking	127
B814	Material Specifications	127
B820	Welding Sour Gas Pipelines	127
B821	General	127
B822	Preparation for Welding	127
B823	Qualification of Procedures and Welders	127
B824	Preheating	128
B825	Stress Relieving	128
B826	Weld Examination Requirements	128
B830	Piping System Components and Fabrication Details	128
B831	Piping System Components	128
B840	Design, Installation, and Testing	128
B841	Steel Pipe	128
B842	Other Materials	129
B843	Compressor Stations	129
B844	Pipe-Type and Bottle-Type Holders	129
B850	Additional Operating and Maintenance Considerations Affecting the Safety of Sour Gas Pipelines	130
B851	Pipeline Maintenance	130
B854	Location Class and Changes in Number of Buildings Intended for Human Occupancy . . .	130

B860	Corrosion Control of Sour Gas Pipelines	132
B861	External Corrosion Control for Steel Pipelines	132
B864	Internal Corrosion Control	132
B867	Stress Corrosion and Other Phenomena	132
Mandatory Appendices		
A	References	134
B	Numbers and Subjects of Standards and Specifications That Appear in Mandatory Appendix A	139
D	Specified Minimum Yield Strength for Steel Pipe Commonly Used in Piping Systems	143
E	Flexibility and Stress Intensification Factors	146
F	Extruded Headers and Welded Branch Connections	152
G	Testing of Welders Limited to Work on Lines Operating at Hoop Stresses of Less Than 20% of the Specified Minimum Yield Strength	159
H	Flattening Test for Pipe	160
I	End Preparations for Buttwelding	161
Q	Scope Diagrams	187
Nonmandatory Appendices		
C	Publications That Do Not Appear in the Code or Mandatory Appendix A	140
J	Commonly Used Conversion Factors	172
L	Determination of Remaining Strength of Corroded Pipe	177
M	Gas Leakage Control Criteria	178
N	Recommended Practice for Hydrostatic Testing of Pipelines in Place	184
P	Nomenclature for Figures	186
R	Estimating Strain in Dents	191
Figures		
851.4.1-1	Allowable Ripple Heights	87
F-1	Limits of Reinforcement Zone	153
F-2	Method of Establishing T_o When the Taper Encroaches on the Crotch Radius	153
F-3	Example Showing Constant Inside Diameter of Outlet	154
F-4	Example Showing Tapered Inside Diameter of Outlet	154
F-5	Rules for Reinforcement of Welded Branch Connections	155
F-6	Figure for Examples 1 and 1M	156
F-7	Figure for Examples 2 and 2M	158
I-1	Welding Details for Openings Without Reinforcement Other Than That in Header and Branch Walls	162
I-2	Welding Details for Openings With Localized-Type Reinforcement	162
I-3	Welding Details for Openings With Complete Encirclement Types of Reinforcement	163
I-3.1	Pressurized Hot Tap Tee Reinforcing Sleeve End Fillet Weld Design	164
I-4	Acceptable Combinations of Pipe End Preparations	165
I-5	Acceptable Design for Unequal Wall Thickness	166
I-6	Offset Limits Due to Misalignment at Unequal Thickness Joints	168
I-7	Recommended Attachment Details of Flanges	169
Q-1	Scope of ASME B31.8 Transmission Piping Offshore	188
Q-2	Scope of ASME B31.8 Transmission Piping Onshore	189
Q-3	Scope of ASME B31.8 Distribution Piping	190
R-1-1	Method for Estimating Strain in Dents	

Tables

817.1.3-1	Tensile Testing	18
831.4.2-1	Reinforcement of Welded Branch Connections, Special Requirements	30
832.2-1	Thermal Expansion or Contraction of Piping Materials — Carbon and Low Alloy High Tensile Steel and Wrought Iron	32
832.5-1	Modulus of Elasticity for Carbon and Low Alloy Steel	32
841.1.6-1	Basic Design Factor, <i>F</i>	43
841.1.6-2	Design Factors for Steel Pipe Construction	43
841.1.7-1	Longitudinal Weld Joint Quality Factor, <i>E</i>	44
841.1.8-1	Temperature Derating Factor, <i>T</i> , for Steel Pipe	44
841.1.11-1	Pipeline Cover Requirements	47
841.2.3-1	Pipeline Field Cold Bend Requirements	49
841.3.2-1	Test Requirements for Steel Pipelines and Mains to Operate at Hoop Stresses of 30% or More of the Specified Minimum Yield Strength of the Pipe	53
841.3.3-1	Maximum Hoop Stress Permissible During an Air or Gas Test	54
842.1.1-1	Standard Thickness Selection Table for Ductile Iron Pipe	56
842.2.9-1	Nominal Values for Coefficients of Thermal Expansion of Thermoplastic Pipe Materials	60
844.3-1	Design Factors, <i>F</i>	67
844.3-2	Minimum Clearance Between Containers and Fenced Boundaries	67
845.2.2-1	Maximum Allowable Operating Pressure for Steel or Plastic Pipelines or Mains	69
845.2.3-1	Maximum Allowable Operating Pressure for Pipelines Operating at 100 psig (690 kPa) or More	69
845.2.3-2	Maximum Allowable Operating Pressure for Pipelines Operating at Less Than 100 psig (690 kPa)	69
851.4.4-1	Wall Thickness for Unlikely Occurrence of Burn-Through	88
854.1-1	Location Class	97
857.4-1	Wall Thickness Allowance for Upgrading a Ductile Iron High-Pressure Main or System	101
A842.2.2-1	Design Factors for Offshore Pipelines, Platform Piping, and Pipeline Risers	116
B850.1-1	100 ppm ROE	131
B850.1-2	500 ppm ROE	131
B850.1-3	Metric Example for 100 ppm ROE	131
B850.1-4	Metric Example for 500 ppm ROE	131
D-1	Specified Minimum Yield Strength for Steel Pipe Commonly Used in Piping Systems	144
D-2	HDB Values for Thermoplastic Materials	145
E-1	Flexibility Factor, <i>k</i> , and Stress Intensification Factor, <i>i</i>	147
I-1	Lightweight Flanges	170
I-1M	Lightweight Flanges (Metric Dimensions)	171
J-1	Commonly Used Conversion Factors	173
J-2	List of SI Units for Use With ASME B31.8 Code	175
M-4-1	Leak Detection Instruments: Type and General Usage	180
M-5.3-1	Leak Classification and Action Criteria: Grade 1	182
M-5.3-2	Leak Classification and Action Criteria: Grade 2	183
M-5.3-3	Leak Classification and Action Criteria: Grade 3	183
Index	193

FOREWORD

The need for a national code for pressure piping became increasingly evident from 1915 to 1925. To meet this need, the American Engineering Standards Committee [later changed to the American Standards Association, now the American National Standards Institute (ANSI)] initiated Project B31 in March 1926 at the request of the American Society of Mechanical Engineers (ASME) and with the Society as sole sponsor. After several years of work by Sectional Committee B31 and its subcommittees, a first edition was published in 1935 as an American Tentative Standard Code for Pressure Piping.

A revision of the original tentative standard began in 1937. Several more years of effort were given to securing uniformity among sections, eliminating divergent requirements and discrepancies, keeping the Code abreast of current developments in welding technique, calculating stress computations, and including reference to new dimensional and material standards. During this period, a new section on refrigeration piping was prepared in cooperation with the American Society of Refrigeration Engineers and complemented the American Standard Code for Mechanical Refrigeration. This work culminated in the 1942 American Standard Code for Pressure Piping.

Supplements 1 and 2 of the 1942 Code, which appeared in 1944 and 1947, respectively, introduced new dimensional and material standards, a new formula for pipe wall thickness, and more comprehensive requirements for instrument and control piping. Shortly after the 1942 Code was issued, procedures were established for handling inquiries requiring explanation or interpretation of Code requirements and for publishing such inquiries and answers in *Mechanical Engineering* for the information of all concerned.

By 1948, continuing increases in the severity of service conditions combined with the development of new materials and designs to meet these higher requirements warranted more extensive changes in the Code than could be provided from supplements alone. The decision was reached by the American Standards Association and the sponsor to reorganize the sectional committee and its several subcommittees and to invite the various interested bodies to reaffirm their representatives or to designate new ones.

Because of the wide field involved, between 30 and 40 different engineering societies, government bureaus, trade associations, institutes, and similar organizations had one or more representatives on the sectional committee, plus a few members-at-large to represent general interests. Code activities were subdivided according to the scope of the several sections. General direction of Code activities rested with the Standards Committee officers and an executive committee, membership of which consisted principally of Standards Committee officers and section chairmen.

Following its reorganization in 1948, Standards Committee B31 made an intensive review of the 1942 Code that resulted in

- (a) a general revision and extension of requirements to agree with present-day practice
- (b) the revision of references to existing dimensional standards and material specifications and the addition of references to the new ones
- (c) the clarification of ambiguous or conflicting requirements

A revision was presented for letter ballot vote of Standards Committee B31. Following approval by this body, the project was approved by the sponsor organization and by the American Standards Association. It was finally designated as an American Standard, with the designation B31.1-1951, in February 1951.

At its annual meeting on November 29, 1951, Standards Committee B31 authorized the separate publication of a section of the Code for Pressure Piping addressing gas transmission and distribution piping systems, to be completed with the applicable parts of Section 2, Gas and Air Piping Systems; Section 6, Fabrication Details; and Section 7, Materials — Their Specifications and Identification. The purpose was to provide an integrated document for gas transmission and distribution piping that would not require cross-referencing to other sections of the Code.

The first edition of this integrated document, known as American Standard Code for Pressure Piping, Section 8, Gas Transmission and Distribution Piping Systems, was published in 1952 and consisted almost entirely of material taken from Sections 2, 6, and 7 of the 1951 edition of the Pressure Piping Code.

A new section committee was organized in 1952 to update Section 8 as necessary to address modern materials and methods of construction and operation.

After a review by B31 Executive and Standards Committees in 1955, a decision was made to develop and publish industry sections as separate Code documents of the American Standard B31 Code for Pressure Piping. The 1955 edition constituted a general revision of the 1952 edition with a considerably expanded scope. Further experience in the application of the Code resulted in revisions in 1958, 1963, 1966, 1967, 1968, 1969, 1975, and 1982.

In December 1978, the American National Standards Committee B31 was reorganized as the ASME Code for Pressure Piping, B31 Committee. The code designation was also changed to ANSI/ASME B31.

The 1989 edition of the Code was a compilation of the 1986 edition and the subsequent addenda issued to the 1986 edition.

The 1992 edition of the Code was a compilation of the 1989 edition, the subsequent three addenda, and the two special Errata issued to the 1989 edition.

The 1995 edition of the Code was a compilation of the 1992 edition and the subsequent three addenda issued to the 1992 edition.

The 1999 edition of the Code was a compilation of the 1995 edition and the revisions that occurred following the issuance of the 1995 edition.

The 2003 edition of the Code was a compilation of the 1999 edition and revisions that occurred following the issuance of the 1999 edition.

The 2007 edition of the Code was a compilation of the 2003 edition and revisions that occurred following the issuance of the 2003 edition.

The 2010 edition of the Code was a compilation of the 2007 edition and revisions that occurred following the issuance of the 2007 edition.

The 2012 edition of the Code was a compilation of the 2010 edition and revisions that occurred following the issuance of the 2010 edition.

The 2014 edition of the Code was a compilation of the 2012 edition and revisions that occurred following the issuance of the 2012 edition.

The 2016 edition of the Code was a compilation of the 2014 edition and revisions that occurred following the issuance of the 2014 edition.

The 2018 edition of the Code was a compilation of the 2016 edition and revisions that occurred since the issuance of the 2016 edition.

The 2020 edition of the Code was a compilation of the 2018 edition and revisions that occurred since the issuance of the 2018 edition.

The 2022 edition of the Code is a compilation of the 2020 edition and revisions that have occurred since the issuance of the 2020 edition. ASME B31.8-2022 was approved by ANSI on October 17, 2022.

ASME B31 COMMITTEE

Code for Pressure Piping

(The following is the roster of the Committee at the time of approval of this Code.)

STANDARDS COMMITTEE OFFICERS

C. H. Eskridge, Jr., *Chair*
K. A. Vilminot, *Vice Chair*
J. Oh, *Secretary*

STANDARDS COMMITTEE PERSONNEL

D. D. Anderson , Consultant	K. B. Kaplan , Consultant
R. J. Appleby , Consultant	W. J. Mauro , Consultant
K. C. Bodenhamer , TRC Pipeline Services	J. E. Meyer , CDM Smith — Industrial Division
R. Bojarczuk , Retired	T. Monday , Team Industries, Inc.
M. R. Braz , MRBraz and Associates, PLLC	J. Oh , The American Society of Mechanical Engineers
M. Burkhart , The Burkhart Group, Inc.	W. Olson , Gulf Interstate Engineering
R. D. Campbell , Bechtel Energy, Inc.	D. W. Raho , Consultant
J. Caylor , Caylor Engineering and Associates, PLLC	M. Rana , Consultant
J. S. Chin , Retired	R. Reamey , Turner Industries Group, LLC
D. D. Christian , Victaulic	M. J. Rosenfeld , RSI Pipeline Solutions, LLC
R. P. Deubler , Becht Engineering Co., Inc.	J. T. Schmitz , Southwest Gas Corp.
M. Engelkemier , Cargill	S. K. Sinha , SOCOTEC Engineering, Inc.
C. H. Eskridge, Jr. , Consultant	W. J. Sperko , Sperko Engineering Services, Inc.
D. J. Fetzner , Retired	F. W. Tatar , Consultant
D. R. Frikken , Becht Engineering Co., Inc.	K. A. Vilminot , Commonwealth Associates, Inc.
R. A. Grichuk , S&B Engineers and Contractors, Ltd.	P. Flenner , <i>Contributing Member</i> , Flenner Engineering Services
R. W. Haupt , Pressure Piping Engineering Associates, Inc.	M. Nayyar , <i>Contributing Member</i> , NICE
G. A. Jolly , Samshin, Ltd.	

B31.8 EXECUTIVE COMMITTEE

D. D. Anderson , <i>Chair</i> , Consultant	K. G. Lewis , Lewis and Associates, Inc.
P. D. Stumpf , <i>Secretary</i> , The American Society of Mechanical Engineers	M. T. Reed , Consultant
R. J. Appleby , Consultant	V. Romero , Southern California Gas Co.
K. B. Kaplan , Consultant	M. J. Rosenfeld , RSI Pipeline Solutions, LLC

B31.8 GAS TRANSMISSION AND DISTRIBUTION PIPING SYSTEMS SECTION COMMITTEE

D. D. Anderson, *Chair*, Consultant
M. J. Rosenfeld, *Vice Chair*, RSI Pipeline Solutions, LLC
P. D. Stumpf, *Secretary*, The American Society of Mechanical Engineers
R. J. Appleby, Consultant
B. W. Bingham, T. D. Williamson, Inc.
P. M. Dickenson, Tegre Corp.
S. A. Frehse, Consultant
R. W. Gailing, Consultant
M. W. Gragg, ExxonMobil Production Co.
D. W. Haim, Consultant
K. B. Kaplan, Consultant
M. Kieba, U.S. DOT — PHMSA
R. W. Kivela, Consultant
K. G. Leewis, Leewis and Associates, Inc.
D. K. Moore, Trout Hydrodynamics, Inc.
G. E. Ortega, Ras Laffan Petrochemicals Project
M. T. Reed, Consultant

V. Romero, Southern California Gas Co.
R. A. Schmidt, Canadoil
L. C. Thronson, Tecorp International, PLLC
F. R. Volgstadt, Volgstadt and Associates, Inc.
W. J. Walsh, EN Engineering
D. W. Wright, Wright Tech Services, LLC
B. Albers, *Contributing Member*, Fluor
C. A. Bullock, *Contributing Member*, Integrity Solutions, Ltd.
J. S. Chin, *Contributing Member*, Retired
A. M. Clarke, *Contributing Member*, Consultant
D. J. Fetzner, *Contributing Member*, Retired
M. E. Hovis, *Contributing Member*, Consultant
M. D. Huston, *Contributing Member*, Oneok Partners, LP
M. P. Lamontagne, *Contributing Member*, Lamontagne Pipeline Assessment Corp.
M. J. Mechlowicz, *Contributing Member*, Southern California Gas Co.
J. Zhou, *Contributing Member*, TransCanada Pipelines, Ltd.

B31.8 SUBGROUP ON DESIGN, MATERIALS, AND CONSTRUCTION

M. J. Rosenfeld, *Chair*, RSI Pipeline Solutions, LLC
K. B. Kaplan, *Vice Chair*, Consultant
W. J. Walsh, *Secretary*, EN Engineering
A. Akmal, Southern California Gas Co.
R. J. Appleby, Consultant
B. W. Bingham, T. D. Williamson, Inc.
J. S. Chin, Retired
P. M. Dickinson, Tegre Corp.
S. A. Frehse, Consultant
R. W. Gailing, Consultant
D. W. Haim, Consultant
M. Kieba, U.S. DOT — PHMSA
J. Mauritz, WeldFit

G. E. Ortega, Ras Laffan Petrochemicals Project
R. A. Schmidt, Canadoil
L. C. Thronson, Tecorp International, PLLC
B. Albers, *Contributing Member*, Fluor
H. M. Al-Muslim, *Contributing Member*, Saudi Arabian Oil Company
M. A. Boring, *Contributing Member*, DNV GL
D. Chairez, *Contributing Member*, Consultant
A. M. Clarke, *Contributing Member*, Consultant
J. W. Fee, *Contributing Member*, Consultant
D. J. Fetzner, *Contributing Member*, Retired
R. D. Huriaux, *Contributing Member*, Richard D. Huriaux, P.E., LLC
M. D. Huston, *Contributing Member*, Oneok Partners, LP
M. J. Mechlowicz, *Contributing Member*, Southern California Gas Co.

B31.8 SUBGROUP ON DISTRIBUTION

V. Romero, *Chair*, Southern California Gas Co.
B. Tansey, *Secretary*, American Gas Association
J. Elder, Atmos Energy Corp.
S. A. Frehse, Consultant

M. Kieba, U.S. DOT — PHMSA
E. K. Newton, Southern California Gas Co.
F. R. Volgstadt, Volgstadt and Associates, Inc.
D. Chairez, *Contributing Member*, Consultant

B31.8 SUBGROUP ON EDITORIAL REVIEW

K. G. Leewis, *Chair*, Leewis and Associates, Inc.
K. B. Kaplan, *Vice Chair*, Consultant

R. W. Gailing, Consultant
D. W. Haim, Consultant

B31.8 SUBGROUP ON OFFSHORE PIPELINES

K. B. Kaplan, *Chair*, Consultant
R. J. Appleby, Consultant
R. Dotson, ADV Integrity, Inc.

K. K. Emeaba, GEIS Innovations
M. W. Gragg, ExxonMobil Production Co.

B31.8 SUBGROUP ON OPERATION AND MAINTENANCE

M. T. Reed, *Chair*, Consultant
R. W. Kivela, *Secretary*, Consultant
D. D. Anderson, Consultant
R. Dotson, ADV Integrity, Inc.
K. K. Emeaba, GEIS Innovations
B. Hanna, DNV
Y. Hubert, Enbridge Pipeline, Inc.
E. Kostelka, Energy Transfer
K. G. Leewis, Leewis and Associates, Inc.
C. Maier, TC Energy
D. K. Moore, Trout Hydrodynamics, Inc.
A. Post, Consultant

V. Romero, Southern California Gas Co.
D. Spillers, U.S. DOT
D. W. Spring, The Equity Engineering Group
B. Wolfe, WSB
D. W. Wright, Wright Tech Services, LLC
A. Bhatia, *Contributing Member*, ROSEN Canada, Ltd.
M. Boring, *Contributing Member*, DNV
C. A. Bullock, *Contributing Member*, Integrity Solutions, Ltd.
M. Hovis, *Contributing Member*, Consultant
M. Lamontagne, *Contributing Member*, Lamontagne Pipeline Asset Corp.

B31.8 GAS TRANSMISSION AND DISTRIBUTION PIPING SYSTEMS INDIA INTERNATIONAL WORKING GROUP

J. Sivaraman, *Chair*, Reliance Industries Limited
R. Upreti, *Vice Chair*, Oil Industry Safety Directorate
S. Vyas, *Secretary*, Reliance Industries, Ltd.
P. K. Chauhan, Pipeline Infrastructure, Ltd.
J. George, GSPL India Transco, Ltd. (GITL)
A. Gurtu, Reliance Gas Pipelines, Ltd.
T. S. Kathayat, Welspun Corp., Ltd.
H. V. Khan, VCS Quality Services Pvt., Ltd.
R. Kishore, Engineers India, Ltd.
S. P. Mandal, Certification Engineers International, Ltd.
G. J. Murthy, Mahanagar Gas, Ltd.

B. B. Nallapaneni, VCS Quality Services Pvt., Ltd.
V. C. Patel, Athena Powertech, LLP
S. K. Paul, Reliance Industries, Ltd.
K. P. Radhakrishnan, Gujarat State Petronet, Ltd.
V. T. Randeria, Gujarat Gas Co., Ltd.
R. A. Selvan, Gail India, Ltd.
K. Singh, KB Singh and Associates
H. M. Solanki, T. D. Williamson India Pvt., Ltd.
R. Suresh, Consultant
M. Sharma, *Contributing Member*, ASME India PVT., Ltd.

B31.8 INTERNATIONAL REVIEW GROUP

H. M. Al-Muslim, *Chair*, Saudi Aramco
A. Esmaeili, APA Group
Q. Feng, PetroChina Pipeline Co.
W. Feng, PetroChina Pipeline Co.

B. B. Nallapaneni, VCS Quality Services Pvt., Ltd.
W. Wu, China Petroleum Pipeline Engineering Corp.
Z. Yu, China Petroleum Pipeline Engineering Corp.

B31 FABRICATION AND EXAMINATION COMMITTEE

R. D. Campbell, *Chair*, Bechtel Energy, Inc.
S. Findlan, *Vice Chair*, Stone and Webster, Inc.
U. D'Urso, *Secretary*, The American Society of Mechanical Engineers
B. Boseo, Burns and McDonnell
P. M. Davis, Wood Group USA, Inc.
M. DeLong, IHI Energy Solutions, Inc.
R. Duran, Shell USA

D. R. Frikken, Becht Engineering Co., Inc.
A. D. Nalbandian, Thielsch Engineering, Inc.
R. Reamey, Turner Industries Group, LLC
W. J. Sperko, Sperko Engineering Services, Inc.
J. Swezy, Jr., Bureau Veritas Inspection and Insurance
P. Flenner, *Contributing Member*, Flenner Engineering Services

B31 MATERIALS TECHNICAL COMMITTEE

P. Deubler, *Chair*, Becht Engineering Co., Inc.
C. Henley, *Vice Chair*, Kiewit Engineering Group, Inc.
C. Rodrigues, *Secretary*, The American Society of Mechanical Engineers
B. T. Bounds, Bechtel Energy, Inc.
W. P. Collins, WPC Solutions, LLC
C. H. Eskridge, Jr., Consultant
A. Esmaili, APA Group
R. A. Grichuk, S&B Engineers and Constructors, Ltd.
J. Gundlach, Michigan Seamless Tube and Pipe
A. A. Hassan, PGESCO

L. Henderson, Jr., Kiewit Engineering Group, Inc.
T. Hudson, Black and Veatch
G. A. Jolly, Samshin, Ltd.
C. J. Melo, S&B Engineers and Constructors, Ltd.
K. Pham, Fluor
D. W. Raho, CCM 2000
R. A. Schmidt, Canadoil
S. Tonkins, BP Americas
D. K. Verma, Bechtel Energy, Inc.
Z. Djilali, *Contributing Member*, Sonatrach
M. Nayyar, *Contributing Member*, NICE

B31 MECHANICAL DESIGN TECHNICAL COMMITTEE

M. Engelkemier, *Chair*, Cargill

D. Arnett, *Vice Chair*, ExxonMobil Research and Engineering

R. Rahaman, *Secretary*, The American Society of Mechanical Engineers

G. A. Antaki, Becht Engineering Co., Inc.

R. Bethea, HII — Newport News Shipbuilding

D. J. Fetzner, Consultant

D. A. Fraser, NASA Ames Research Center

J. A. Graziano, Consultant

J. D. Hart, SSD, Inc.

R. W. Haupt, Pressure Piping Engineering Associates, Inc.

B. P. Holbrook, Consultant

R. A. Leishear, Leishear Engineering, LLC

G. D. Mayers, Serco, Inc.

T. Q. McCawley, Consultant

J. E. Meyer, CDM Smith — Industrial Division

P. Moore, Burns and McDonnell

A. Paulin, Paulin Research Group

M. J. Rosenfeld, RSI Pipeline Solutions, LLC

H. Kosasayama, *Contributing Member*, JGC Corp.

CORRESPONDENCE WITH THE B31 COMMITTEE

General. ASME Standards are developed and maintained with the intent to represent the consensus of concerned interests. As such, users of this Code may interact with the Committee by requesting interpretations, proposing revisions or a case, and attending Committee meetings. Correspondence should be addressed to:

Secretary, B31 Standards Committee
The American Society of Mechanical Engineers
Two Park Avenue
New York, NY 10016-5990
<http://go.asme.org/Inquiry>

Proposing Revisions. Revisions are made periodically to the Code to incorporate changes that appear necessary or desirable, as demonstrated by the experience gained from the application of the Code. Approved revisions will be published periodically.

The Committee welcomes proposals for revisions to this Code. Such proposals should be as specific as possible, citing the paragraph number(s), the proposed wording, and a detailed description of the reasons for the proposal, including any pertinent documentation.

Proposing a Case. Cases may be issued to provide alternative rules when justified, to permit early implementation of an approved revision when the need is urgent, or to provide rules not covered by existing provisions. Cases are effective immediately upon ASME approval and shall be posted on the ASME Committee web page.

Requests for Cases shall provide a Statement of Need and Background Information. The request should identify the Code and the paragraph, figure, or table number(s), and be written as a Question and Reply in the same format as existing Cases. Requests for Cases should also indicate the applicable edition(s) of the Code to which the proposed Case applies.

Interpretations. Upon request, the B31 Standards Committee will render an interpretation of any requirement of the Code. Interpretations can only be rendered in response to a written request sent to the Secretary of the B31 Standards Committee.

Requests for interpretation should preferably be submitted through the online Interpretation Submittal Form. The form is accessible at <http://go.asme.org/InterpretationRequest>. Upon submittal of the form, the Inquirer will receive an automatic e-mail confirming receipt.

If the Inquirer is unable to use the online form, he/she may mail the request to the Secretary of the B31 Standards Committee at the above address. The request for an interpretation should be clear and unambiguous. It is further recommended that the Inquirer submit his/her request in the following format:

Subject:	Cite the applicable paragraph number(s) and the topic of the inquiry in one or two words.
Edition:	Cite the applicable edition of the Code for which the interpretation is being requested.
Question:	Phrase the question as a request for an interpretation of a specific requirement suitable for general understanding and use, not as a request for an approval of a proprietary design or situation. Please provide a condensed and precise question, composed in such a way that a "yes" or "no" reply is acceptable.
Proposed Reply(ies):	Provide a proposed reply(ies) in the form of "Yes" or "No," with explanation as needed. If entering replies to more than one question, please number the questions and replies.
Background Information:	Provide the Committee with any background information that will assist the Committee in understanding the inquiry. The Inquirer may also include any plans or drawings that are necessary to explain the question; however, they should not contain proprietary names or information.

Requests that are not in the format described above may be rewritten in the appropriate format by the Committee prior to being answered, which may inadvertently change the intent of the original request.

Moreover, ASME does not act as a consultant for specific engineering problems or for the general application or understanding of the Standard requirements. If, based on the inquiry information submitted, it is the opinion of the Committee that the Inquirer should seek assistance, the inquiry will be returned with the recommendation that such assistance be obtained.

ASME procedures provide for reconsideration of any interpretation when or if additional information that might affect an interpretation is available. Further, persons aggrieved by an interpretation may appeal to the cognizant ASME Committee or Subcommittee. ASME does not “approve,” “certify,” “rate,” or “endorse” any item, construction, proprietary device, or activity.

Attending Committee Meetings. The B31 Standards Committee regularly holds meetings and/or telephone conferences that are open to the public. Persons wishing to attend any meeting and/or telephone conference should contact the Secretary of the B31 Standards Committee.

INTRODUCTION

1 General. The ASME Code for Pressure Piping consists of many individually published sections, each an American National Standard. Hereafter, in this Introduction and in the text of this Code Section, B31.8, when the word “Code” is used without specific identification, it means this Code Section.

The Code specifies engineering requirements deemed necessary for the safe design and construction of pressure piping. While safety is the primary consideration, this factor alone will not necessarily govern the final specifications of any piping installation or operation. The Code is not a design handbook. Many decisions that must be made to produce a sound piping installation and maintain system integrity during operation are not specified in detail within this Code. The Code does not serve as a substitute for sound engineering judgment by the operating company and designer.

To the greatest possible extent, Code requirements for design are stated in terms of basic design principles and formulas. These are supplemented as necessary with specific requirements to ensure uniform application of principles and to guide selection and application of piping elements. The Code prohibits designs and practices known to be unsafe and contains warnings where caution, but not prohibition, is warranted.

This Code Section includes

(a) references to acceptable material specifications and component standards, including dimensional and mechanical property requirements

(b) requirements for designing components and assemblies

(c) requirements and data for evaluating and limiting stresses, reactions, and movements associated with pressure, temperature changes, and other forces

(d) guidance and limitations on selecting and applying materials, components, and joining methods

(e) requirements for fabricating, assembling, and installing piping

(f) requirements for examining, inspecting, and testing piping

(g) procedures for operation and maintenance that are essential to public safety

(h) provisions for protecting pipelines from external and internal corrosion

It is intended that this edition of Code Section B31.8 not be retroactive. The latest edition issued at least 6 months before the original contract date for the first phase of activity covering a piping system or systems shall be the governing document, unless agreement is specifically

made between contracting parties to use another edition, or unless the regulatory body having jurisdiction imposes the use of another edition or different requirements.

Either U.S. Customary (USC) units or International System (SI, also known as metric) units may be used with this edition. Local customary units may also be used to demonstrate compliance with this Code. One system of units should be used consistently for requirements applying to a specific installation. The equations in this Code may be used with any consistent system of units. It is the responsibility of the organization performing calculations to ensure that a consistent system of units is used.

Users of this Code are cautioned against making use of revisions without assurance that they are acceptable to any authorities of jurisdiction where the piping is to be installed.

The Code is under the direction of ASME Committee B31, Code for Pressure Piping, which is organized and operates under procedures of The American Society of Mechanical Engineers that have been accredited by the American National Standards Institute. The Committee is a continuing one and keeps all Code Sections current with new developments in materials, construction, and industrial practice.

When no Section of the ASME Code for Pressure Piping specifically covers a piping system, the user has discretion to select any Section determined to be generally applicable; however, it is cautioned that supplementary requirements to the Section chosen may be necessary to provide for a safe piping system for the intended application. Technical limitations of the various Sections, legal requirements, and possible applicability of other Codes or Standards are some of the factors to be considered by the user in determining the applicability of any Section of this Code.

2 Appendices. This Code contains two kinds of appendices: mandatory and nonmandatory. Mandatory appendices contain information the user needs to carry out a requirement or recommendation in the main text of the Code. Nonmandatory appendices, which are written in mandatory language, are offered for application at the user's discretion.

3 Interpretations and Revisions. The Committee has established an orderly procedure to consider requests for interpretation and revision of Code requirements. To receive consideration, inquiries must be in writing and must give full particulars. (See [Correspondence With](#)

the [B31 Committee](#) covering preparation of technical inquiries.)

4 Cases. A Case is the prescribed form of reply to an inquiry when study indicates that the Code wording needs clarification or when the reply modifies existing requirements of the Code or grants permission to use new materials or alternative constructions. The Case will be published on the B31.8 Committee Page at <http://go.asme.org/B31committee>.

A Case is normally issued for a limited period, after which it may be renewed, incorporated in the Code, or allowed to expire if there is no indication of further need for the requirements covered by the Case. The provisions of a Case, however, may be used after its expiration or withdrawal, provided the Case was effective on the

original contract date or was adopted before completion of the work, and the contracting parties agree to its use.

Materials are listed in the Stress Tables only when sufficient usage in piping within the scope of the Code has been shown. Materials may be covered by a Case. Requests for listing shall include evidence of satisfactory usage and specific data to permit establishment of allowable stresses or pressure rating, maximum and minimum temperature limits, and other restrictions. Additional criteria can be found in the guidelines for addition of new materials in the ASME Boiler and Pressure Vessel Code, Section II. (To develop usage and gain experience, unlisted materials may be used in accordance with [para. 811.2.2](#).)

5 Effective Date. This edition, when issued, contains new Code provisions. It is a compilation of the 2020 edition and revisions to the 2020 edition.

ASME B31.8-2022

SUMMARY OF CHANGES

Following approval by the ASME B31 Committee and ASME, and after public review, ASME B31.8-2022 was approved by the American National Standards Institute on October 17, 2022.

Throughout this Code, the phrase “pressure relief station(s)” has been changed to “pressure-relieving station(s)” and the phrase “pressure relief device(s)” has been changed to “pressure-relieving device(s).” Further, all API Specification documents referenced have been revised to “API Spec xxx” and all API Standard documents referenced have been revised to “API Std xxx,” where “xxx” is the API Spec or Std number. In addition, ASME B31.8-2022 includes the following changes identified by a margin note, **(22)**.

<i>Page</i>	<i>Location</i>	<i>Change</i>
1	802.1	(1) Subparagraph (a) revised (2) Footnote 1 editorially revised (3) Subparagraph (b)(5) deleted and subsequent subparagraphs renumbered
2	802.2.6	Revised
2	803.1	(1) Definitions of <i>designer</i> and <i>engineering design</i> added (2) Definitions of <i>operating company</i> and <i>pipeline</i> revised
5	804.6	Definitions of <i>specified minimum tensile strength (SMTS)</i> and <i>specified minimum yield strength (SMYS)</i> revised
6	804.7.3	Subparagraphs (b) and (g) revised
7	804.8	Title added
7	805.1.3	Definition of <i>standard dimension ratio (SDR)</i> revised
8	805.2.1	(1) Definition of <i>hydrostatic test</i> revised (2) Definition of <i>pneumatic test</i> added
9	805.2.3	Definition of <i>hoop stress</i> revised
9	805.2.4	Definition of <i>gouge</i> revised
13	805.2.7	Revised in its entirety
16	814.1	References updated
17	816	Second paragraph revised
18	817.1.3	Titles of subparas. (c) and (d) revised
20	822.1	Subparagraphs (c) through (f) added
21	822.2	In first sentence, first figure cross-reference updated
22	825.3	Subparagraph (b) revised
22	825.6	Subparagraph (c) revised
23	826	Revised in its entirety
24	831.1.1	Revised
25	831.1.2	Revised
25	831.2.1	Reference for ASME B16.24 revised
27	831.2.4	Added
27	831.3.1	(1) In subpara. (b), last sentence added (2) In subpara. (c), last sentence revised

<i>Page</i>	<i>Location</i>	<i>Change</i>
28	831.3.7	In subpara. (c), second paragraph revised
28	831.4.1	(1) In subpara. (c), definition of <i>t</i> and first sentence of last paragraph revised (2) Subparagraph (e) revised
29	831.4.2	Subparagraphs (d) and (k)(1) revised
38	840.1	Subparagraph (h) added
41	841.1.2(d)	(1) In Caution, third sentence revised (2) In Note, last sentence revised
44	841.1.9	Subparagraph (a) revised in its entirety
46	841.1.10	(1) In subpara. (a), penultimate line revised (2) In subpara. (c), third sentence revised
48	841.2.3	Revised
49	Table 841.2.3-1	Revised
51	841.3.1	Revised
52	841.3.2	Subparagraph (c) revised
53	Table 841.3.2-1	Notes revised
54	841.3.3	Last sentence revised
54	841.3.4	Subparagraph (c) revised
55	842.2	Penultimate sentence added
57	842.2.1	In nomenclature, definitions of DR, SDR, and <i>t</i> updated
58	842.2.4	Revised
59	842.2.9(f)	Footnote 3 revised
61	842.3.4	Subparagraph (a) revised
62	842.4.2	Subparagraph (e) revised
62	842.5	Added, and subsequent paragraphs redesignated
64	843.2	In second paragraph, cross-reference updated
64	843.3.3	Revised
65	843.3.4	Title and subparas. (a) and (c) revised
68	845.2.1	Subparagraphs (a) and (c) revised
72	845.3	Title and subparas. (a), (b), and (c) revised
72	845.4.1	Subparagraphs (a) and (a)(4) revised
81	850.2	Revised
84	851.4	First, second, and fourth paragraphs following subpara. (b) revised
86	851.4.2	Subparagraphs (c)(3), (c)(3)(-a), (c)(4), and (f) revised
90	851.13	Added
92	852.5.1	Subparagraph (a) revised
104	861.1.4	Subparagraph (c) revised
106	864.2.6	In subparagraph (b), first cross-reference updated
110	A800	Revised
112	A821.2	Revised
113	A823	Revised
113	A826	Revised
115	A842.1.2	Revised
120	A843.3.4	Revised

<i>Page</i>	<i>Location</i>	<i>Change</i>
121	A847.2	Revised
121	A847.6	Revised
123	A860.2	Former subpara. (b) redesignated as (e)
126	B802.1	Revised
128	B825.6	Subparagraph (c) revised
128	B826	Revised
134	Mandatory Appendix A	References updated
140	Nonmandatory Appendix C	References updated
147	Table E-1	(1) In General Note, last sentence revised (2) Note (12) revised
152	F-1	Definitions of t_b and t_r revised
152	F-2.1	Revised
153	F-2.1M	Revised
156	F-2.2	Revised
157	F-2.2.5	Revised
157	F-2.2M	Revised
160	H-1	In subpara. (c), third sentence revised
161	I-1.2	Revised
161	I-1.3	Revised
161	I-1.4	Revised
164	Figure I-3.1	Revised
166	Figure I-5	Revised
168	Figure I-6	Added
169	Figure I-7	Former Figure I-6 redesignated
170	Table I-1	In third column, column head revised
171	Table I-1M	In third column, column head revised
185	N-7	Subparagraph (1) revised
188	Figure Q-1	Revised
191	R-2	First and second paragraphs revised
193	Index	Updated

General Provisions and Definitions

801 GENERAL

801.1 Approved Standards and Specifications

Standards and specifications approved for use under this Code and the names and addresses of the sponsoring organizations are shown in [Mandatory Appendix A](#). It is not considered practicable to refer to a specific edition of each of the standards and specifications in the individual Code paragraphs.

801.2 Use of Standards and Specifications Incorporated by Reference

Some standards and specifications cited in [Mandatory Appendix A](#) are supplemented by specific requirements elsewhere in this Code. Users of this Code are advised against attempting direct application of any of these standards without carefully observing the Code's reference to that standard.

801.3 Standard Dimensions

Adherence to American National Standards Institute (ANSI) dimensions is strongly recommended wherever practicable. Paragraphs or notations specifying these and other dimensional standards in this Code, however, shall not be mandatory, provided that other designs of at least equal strength and tightness, capable of withstanding the same test requirements, are substituted.

801.4 Units of Measure

This Code states values in both USC and SI units. Within the text, the SI units are shown in parentheses or in separate tables. The values stated in each system are not exact equivalents; therefore, each system of units should be used independently of the other. When separate equations are provided for USC and SI units, those equations shall be executed using variables in the units associated with the specific equation. The results obtained from execution of these equations may be converted to other units.

When necessary to convert from one system of units to another, conversion should be made by rounding the values to the number of significant digits of implied precision in the starting value, but to not less than four significant digits for use in calculations. For factors used in converting USC units to SI units, see [Nonmandatory Appendix J](#).

802 SCOPE AND INTENT

802.1 Scope

(22)

(a) This Code covers the design, fabrication, installation, inspection, examination, and testing of pipeline facilities used for the transportation of gas. This Code also covers safety aspects of the operation and maintenance of those facilities. (See [Mandatory Appendix Q](#) for scope diagrams.)

This Code is concerned only with certain safety aspects of liquefied petroleum gases when they are vaporized and used as gaseous fuels. All of the requirements of NFPA 58 and NFPA 59 and of this Code concerning design, construction, and operation and maintenance of piping facilities shall apply to piping systems handling butane, propane, or mixtures of these gases.

(b) This Code does not apply to

(1) design and manufacture of pressure vessels covered by the BPV Code.¹

(2) piping with metal temperatures above 450°F (232°C). (For low-temperature considerations, see [section 812](#).)

(3) piping beyond the outlet of the customer's meter set assembly. (Refer to ANSI Z223.1/NFPA 54.)

(4) piping in oil refineries or natural gasoline extraction plants, gas treating plant piping other than the main gas stream piping in dehydration, and all other processing plants installed as part of a gas transmission system, gas manufacturing plants, industrial plants, or mines. (See other applicable sections of the ASME Code for Pressure Piping, B31.)

(5) wellhead assemblies, including control valves, flow lines between wellhead and trap or separator, offshore platform production facility piping, or casing and tubing in gas or oil wells. (For offshore platform production facility piping, see API RP 14E.)

(6) the design and manufacture of proprietary items of equipment, apparatus, or instruments.

(7) the design and manufacture of heat exchangers. (Refer to appropriate TEMA² standard.)

(8) liquid petroleum transportation piping systems. (Refer to ASME B31.4.)

(9) liquid slurry transportation piping systems. (Refer to ASME B31.4.)

¹ BPV Code references here and throughout this Code refer to the ASME Boiler and Pressure Vessel Code.

² Tubular Exchanger Manufacturers Association, 25 North Broadway, Tarrytown, NY 10591.

(10) carbon dioxide transportation piping systems. (Refer to ASME B31.4.)

(11) liquefied natural gas piping systems. (Refer to NFPA 59A and ASME B31.3.)

(12) cryogenic piping systems. (Refer to ASME B31.3.)

(13) hydrogen piping systems. (Refer to ASME B31.12.)

802.2 Intent

802.2.1 Adequacy for Normal Conditions. The requirements of this Code are adequate for safety under conditions usually encountered in the gas industry. Requirements for all unusual conditions cannot be specifically provided for, nor are all details of engineering and construction prescribed; therefore, activities involving the design, construction, operation, or maintenance of gas transmission, gathering, or distribution pipelines should be undertaken using supervisory personnel having the experience or knowledge to make adequate provision for such unusual conditions and specific engineering and construction details. All work performed within the scope of this Code shall meet or exceed the safety standards expressed or implied herein.

802.2.2 More Complete Analysis. The Code generally specifies a simplified approach for many of its requirements.

(a) For design and construction, a designer may choose to use a more rigorous analysis to develop design and construction requirements. When the designer decides to take this approach, the designer shall provide to the operating company details and calculations showing that design, construction, examination, and testing are consistent with the criteria of this Code. These details shall be adequate for the operating company to verify the validity of the approach and shall be approved by the operating company. The details shall be documented in the engineering design.

(b) For operation and maintenance, an operating company may choose to use a more rigorous analysis to develop operation and maintenance requirements. When the operating company decides to take this approach, the operating company shall provide details and calculations demonstrating that such alternative practices are consistent with the objectives of this Code. The details shall be documented in the operating records and retained for the lifetime of the facility.

802.2.3 Safety. This Code is concerned with

(a) safety of the general public.

(b) employee safety to the extent that it is affected by basic design, quality of materials and workmanship, and requirements for testing, operations, and maintenance of gas transmission and distribution facilities. Existing industrial safety procedures pertaining to work areas,

safety devices, and safe work practices are not intended to be supplanted by this Code.

802.2.4 Retroactive Applications. It is not intended that this Code be applied retroactively to such aspects of existing installations as design, fabrication, installation, and testing at the time of construction. Further, it is not intended that this Code be applied retroactively to established operating pressures of existing installations, except as provided for in [Chapter V](#).

802.2.5 Application to Existing Facilities. Provisions of this Code shall be applicable to operating and maintenance procedures of existing installations, and when existing installations are uprated.

802.2.6 Qualification of Those Performing Inspections or Examinations. Individuals who perform inspections or examinations shall be qualified by training and/or experience to implement the applicable requirements and recommendations of this Code. (22)

802.2.7 Further Information. For further information concerning pipeline integrity, see the nonmandatory supplement ASME B31.8S.

802.3 Offshore Gas Transmission

See [Chapter VIII](#) for additional requirements and definitions applicable to offshore gas transmission systems.

803 PIPING SYSTEMS DEFINITIONS

803.1 General Terms and Definitions (22)

carbon dioxide: a heavy, colorless gas that does not support combustion, dissolves in water to form carbonic acid, and is found in some natural gas streams.

designer: the person or organization responsible for the engineering design.

engineering design: all design specifications, drawings, and supporting documents necessary to describe a piping or pipeline system such that it meets the requirements to which it will be applied in conformance with the Code.

environment: the surroundings or conditions (physical, chemical, mechanical) in which a material exists.

gas: as used in this Code, any hydrocarbon vapor or mixture of hydrocarbon vapors suitable for use as, or for processing into, domestic or industrial fuel or process feedstock and transmitted or distributed to the user through a piping system. The common types are natural gas, manufactured gas, and liquefied petroleum gas distributed as a vapor, with or without the admixture of other components.

hot taps: branch piping connections made to operating pipelines, mains, or other facilities while they are in operation. The branch piping is connected to the operating line, and the operating line is tapped while it is under pressure.

liquefied natural gas: natural gas liquefied by refrigeration or pressure.

liquefied petroleum gases (LPG): composed predominantly of the following hydrocarbons (either by themselves or as mixtures): butane (normal butane or isobutene), butylene (including isomers), propane, propylene, and ethane. LPG can be stored as liquids under moderate pressures [approximately 80 psig (550 kPa) to 250 psig (1 720 kPa)] at ambient temperatures.

listed specification: a specification listed in [Mandatory Appendix A](#).

operating company: as used in this Code, is the individual, partnership, corporation, public agency, owner, agent, or other entity accountable for the design, construction, inspection, examination, testing, operation, and maintenance of the pipeline facilities.

operator: see *operating company*.

parallel encroachment: as used in this Code, is the portion of the route of a pipeline or main that lies within, runs in a generally parallel direction to, and does not necessarily cross the rights-of-way of a road, street, highway, or railroad.

petroleum: crude oil, condensate, natural gasoline, natural gas liquids, liquefied petroleum gas, and liquid petroleum products.

pipeline: all parts of physical facilities through which gas moves in transportation, including pipe, valves, fittings, flanges (including bolting and gaskets), regulators, pressure vessels, pulsation dampeners, relief valves, appurtenances attached to pipe, compressor units, metering facilities, pressure-regulating stations, pressure-limiting stations, pressure-relieving stations, and fabricated assemblies. Included within this definition are gas transmission and gathering lines, which transport gas from production facilities to onshore locations, and gas storage equipment of the closed pipe type that is fabricated or forged from pipe or fabricated from pipe and fittings.

pipeline system: either the operator's entire pipeline infrastructure or large portions of that infrastructure that have definable starting and stopping points.

private rights-of-way: as used in this Code, are rights-of-way not located on roads, streets, or highways used by the public, or on railroad rights-of-way.

system: see *pipeline system*.

transportation of gas: gathering, transmission, or distribution of gas by pipeline or the storage of gas.

vault: an underground structure that may be entered and that is designed to contain piping and piping components (such as valves or pressure regulators).

803.2 Piping Systems

component: an individual item or element fitted in line with pipe in a pipeline system, such as, but not limited to, valves, elbows, tees, flanges, and closures.

pipeline component: see *component*.

pipeline facility: new and existing pipelines, rights-of-way, and any equipment, facility, or building used in the transportation of gas or in the treatment of gas during the course of transportation.

pipeline section: a continuous run of pipe between adjacent compressor stations, between a compressor station and a block valve, or between adjacent block valves.

segment: a length of pipeline or part of the system that has unique characteristics in a specific geographic location.

storage field: a geographic field containing a well or wells that are completed for and dedicated to subsurface storage of large quantities of gas for later recovery, transmission, and end use.

transmission line: a segment of pipeline installed in a transmission system or between storage fields.

transmission system: one or more segments of pipeline, usually interconnected to form a network, that transports gas from a gathering system, the outlet of a gas processing plant, or a storage field to a high- or low-pressure distribution system, a large-volume customer, or another storage field.

803.3 Distribution Systems

distribution main: a segment of pipeline in a distribution system installed to convey gas to individual service lines or other mains.

gas main: see *distribution main*.

gas service line: the piping installed between a main, pipeline, or other source of supply and the meter set assembly. [See [para. 802.1\(b\)\(3\)](#).]

high-pressure distribution system: a gas distribution piping system that operates at a pressure higher than the standard service pressure delivered to the customer. In such a system, a service regulator is required on each service line to control the pressure delivered to the customer.

low-pressure distribution system: a gas distribution piping system in which the gas pressure in the mains and service lines is substantially the same as that delivered to the customer's appliances. In such a system, a service regulator is not required on the individual service lines.

803.4 Gathering Systems

gas storage line: a pipeline used for conveying gas between a compressor station and a gas well used for storing gas underground.

gathering line: a segment of pipeline installed in a gathering system.

gathering system: one or more segments of pipeline, usually interconnected to form a network, that meets one or more of the following criteria:

(a) transports gas from one or more production facilities to the inlet of a gas processing plant. If no gas processing plant exists, the gas is transported to the most downstream of one of the following:

(1) the point of custody transfer of gas suitable for delivery to a distribution system

(2) the point where accumulation and preparation of gas from separate geographic production fields in reasonable proximity has been completed

(b) transports gas within the gathering system for production or gathering uses such as compressor fuel gas, gas lift, heating, or other processes, the source of which is within the gathering system (i.e., upstream of a transmission system).

(c) is in conformance with the definition for onshore gathering lines as defined in API RP 80. Refer to [Mandatory Appendix Q, Figures Q-1 and Q-2](#) for additional clarifications.

803.5 Miscellaneous Systems

control piping: all piping, valves, and fittings used to interconnect air, gas, or hydraulically operated control apparatus or instrument transmitters and receivers.

gas processing plant: a facility used for extracting commercial products from gas.

instrument piping: all piping, valves, and fittings used to connect instruments to main piping, to other instruments and apparatus, or to measuring equipment.

production facility: piping or equipment used in production, extraction, recovery, lifting, stabilization, separation, treating, associated measurement, field compression, gas lift, gas injection, or fuel gas supply. Production facility piping or equipment must be used in extracting petroleum liquids or natural gas from the ground and preparing it for transportation by pipeline.

sample piping: all piping, valves, and fittings used to collect samples of gas, steam, water, or oil.

803.6 Meters, Regulators, and Pressure-Relieving Stations

customer's meter: a meter that measures gas delivered to a customer for consumption on the customer's premises.

meter set assembly: the piping and fittings installed to connect the inlet side of the meter to the gas service line and the outlet side of the meter to the customer's fuel line.

monitoring regulator: a pressure regulator installed in series with another pressure regulator that automatically assumes control of the pressure downstream of the station, in case that pressure exceeds a set maximum.

pressure-limiting station: consists of equipment that under abnormal conditions will act to reduce, restrict, or shut off the supply of gas flowing into a system to prevent the gas pressure from exceeding a predetermined value. While normal pressure conditions prevail, the pressure-limiting station may exercise some degree of control of the flow of the gas or may remain in the wide open position. Included in the station are piping and auxiliary devices, such as valves, control instruments, control lines, the enclosure, and ventilating equipment, installed in accordance with the pertinent requirements of this Code.

pressure-regulating station: consists of equipment installed for automatically reducing and regulating the pressure in the downstream pipeline or main to which it is connected. Included are piping and auxiliary devices such as valves, control instruments, control lines, the enclosure, and ventilation equipment.

pressure-relieving station: consists of equipment installed to vent gas from a system being protected to prevent the gas pressure from exceeding a predetermined limit. The gas may be vented into the atmosphere or into a lower pressure system capable of safely absorbing the gas being discharged. Included in the station are piping and auxiliary devices, such as valves, control instruments, control lines, the enclosure, and ventilating equipment, installed in accordance with the pertinent requirements of this Code.

service regulator: a regulator installed on a gas service line to control the pressure of the gas delivered to the customer.

803.7 Valves

block valve: a valve installed to block or stop the flow of gas in a pipe.

check valve: a valve designed to permit flow in one direction and to close automatically to prevent flow in the reverse direction.

curb valve: a stop valve installed below grade in a service line at or near the property line, accessible through a curb box or standpipe, and operable by a removable key or wrench for shutting off the gas supply to a building. This valve is also known as a *curb shutoff* or *curb cock*.

excess flow valve: a valve designed to automatically stop or limit the flow in a gas service line when the gas flow exceeds the maximum anticipated flow during normal operations.

service line valve: a stop valve readily operable and accessible for shutting off the gas to the customer's fuel line. The stop valve should be located in the service line ahead of the service regulator or ahead of the meter, if a regulator is not provided. The valve is also known as a service line shutoff, service line cock, or meter stop.

stop valve: see *block valve*.

803.8 Gas Storage Equipment

bottle: as used in this Code, is a gas-tight structure completely fabricated from pipe with integral drawn, forged, or spun end closures and tested in the manufacturer's plant.

bottle-type holder: any bottle or group of interconnected bottles installed in one location and used only for storing gas.

pipe-type holder: any pipe container or group of interconnected pipe containers installed at one location and used only for storing gas.

804 PIPING SYSTEMS COMPONENT DEFINITIONS

804.1 Plastic Terms and Definitions

plastic (noun): a material that contains as an essential ingredient an organic substance of high to ultrahigh molecular weight, is solid in its finished state, and at some stage of its manufacture or processing can be shaped by flow. The two general types of plastic referred to in this Code are thermoplastic and thermosetting.

thermoplastic: a plastic that is capable of being repeatedly softened by increase of temperature and hardened by decrease of temperature.

thermosetting plastic: plastic that is capable of being changed into a substantially infusible or insoluble product when cured under application of heat or chemical means.

804.2 Iron Terms and Definitions

cast iron: shall apply to gray cast iron, that is, a cast ferrous material in which a major part of the carbon content occurs as free carbon in the form of flakes interspersed throughout the metal.

ductile iron: sometimes called nodular iron, a cast ferrous material in which the free graphite present is in a spheroidal form, rather than a flake form. The desirable properties of ductile iron are achieved by chemistry and a ferritizing heat treatment of the castings.

804.3 General Terms and Definitions

pipe container: a gas-tight structure assembled in a shop or in the field from pipe and end closures.

proprietary items: items made and marketed by a company having the exclusive or restricted right to manufacture and sell them.

804.4 Pipe Terms and Definitions

cold expanded pipe: seamless or welded pipe that is formed and then cold expanded while in the pipe mill so that the circumference is permanently increased by at least 0.50%.

miter: two or more straight sections of pipe matched and joined on a line bisecting the angle of junction so as to produce a change in direction.

pipe: a tubular product, including tubing, made for sale as a production item, used primarily for conveying a fluid and sometimes for storage. Cylinders formed from plate during the fabrication of auxiliary equipment are not pipe as defined herein.

804.5 Dimensional Terms and Definitions

diameter: the as-produced or as-specified outside diameter of the pipe, not to be confused with the dimensionless NPS (DN). For example, NPS 12 (DN 300) pipe has a specified outside diameter of 12.750 in. (323.85 mm), NPS 8 (DN 200) has a specified outside diameter of 8.625 in. (219.08 mm), and NPS 24 (DN 600) pipe has a specified outside diameter of 24.000 in. (609.90 mm).

diameter nominal (DN): a dimensionless designator of pipe. It indicates a standard pipe size when followed by the appropriate number [e.g., NPS 1½ (DN 40), NPS 12 (DN 300)]. See ASME B36.10M, page 1 for additional information on NPS.

length: a piece of pipe of the length delivered from the mill. Each piece is called a length, regardless of its actual dimension. This is sometimes called joint, but length is preferred.

nominal outside diameter: see *diameter*.

nominal pipe size (NPS): see *diameter nominal (DN)*.

nominal wall thickness, t: the wall thickness computed by or used in the design equation in [para. 841.1.1](#) or [para. A842.2.2\(a\)](#). Under this Code, pipe may be ordered to this computed wall thickness without adding allowance to compensate for the underthickness tolerance permitted in approved specifications.

804.6 Mechanical Properties

specified minimum elongation: the minimum elongation (expressed in percent of the gage length) in the tensile test specimen, prescribed by the specifications under which the material is purchased from the manufacturer.

(22)

specified minimum tensile strength (SMTS): expressed in pounds per square inch (megapascals), the minimum tensile strength prescribed by the specification under which the material is purchased from the manufacturer.

specified minimum yield strength (SMYS): expressed in pounds per square inch (megapascals), the minimum yield strength prescribed by the specification under which the material is purchased from the manufacturer.

tensile strength: expressed in pounds per square inch (megapascals), the highest unit tensile stress (referred to the original cross section) a material can sustain before failure.

yield strength: expressed in pounds per square inch (megapascals), the strength at which a material exhibits a specified limiting permanent set or produces a specified total elongation under load. The specified limiting set or elongation is usually expressed as a percentage of gage length. Its values are specified in the various material specifications acceptable under this Code.

804.7 Steel Pipe

804.7.1 Carbon Steel.³ By common custom, steel is considered to be carbon steel when no minimum content is specified or required for aluminum, boron, chromium, cobalt, molybdenum, nickel, niobium, titanium, tungsten, vanadium, zirconium, or any other element added to obtain a desired alloying effect; when the specified minimum for copper does not exceed 0.40%; or when the maximum content specified for any of the following elements does not exceed the following percentages:

Element	Percentage
Copper	0.60
Manganese	1.65
Silicon	0.60

In all carbon steels, small quantities of certain residual elements unavoidably retained from raw materials are sometimes found but are not specified or required, such as copper, nickel, molybdenum, chromium, etc. These elements are considered as incidental and are not normally determined or reported.

804.7.2 Alloy Steel.⁴ By common custom, steel is considered to be alloy steel when

(a) the maximum of the range given for the content of alloying elements exceeds one or more of the following limits:

Element	Percentage
Copper	0.60
Manganese	1.65
Silicon	0.60

or

(b) a definite range or a definite minimum quantity of any of the following elements is specified or required within the limits of the recognized field of constructional alloy steels:

- (1) aluminum
- (2) boron
- (3) chromium (up to 3.99%)
- (4) cobalt
- (5) columbium
- (6) molybdenum
- (7) nickel
- (8) titanium
- (9) tungsten
- (10) vanadium
- (11) zirconium
- (12) any other alloying element added to obtain a desired alloying effect

Small quantities of certain elements are unavoidably present in alloy steels. In many applications, these are not considered to be important and are not specified or required. When not specified or required, they should not exceed the following amounts:

Element	Percentage
Chromium	0.20
Copper	0.35
Molybdenum	0.06
Nickel	0.25

804.7.3 Pipe Manufacturing Processes. Types and (22) names of welded joints are used herein according to their common usage as defined in API Spec 5L or AWS A3.0 or as specifically defined as follows:

(a) *combination-welded (COW) pipe*: pipe having one or two straight seams or one helical seam, produced by a combination of gas metal-arc and submerged-arc welding wherein the gas-metal arc weld bead is not completely removed by the submerged-arc welding passes. A typical specification is API Spec 5L.

(b) *electric-fusion welded (EFW) pipe*: pipe made with one or two straight butt joints or one helical butt joint in which coalescence is produced in the preformed tube by manual or automatic electric-arc welding. The weld may be made by welding from one side or both sides of the joint and may be made with or without the addition of filler metal. Typical specifications are ASTM A134 and ASTM A139, which permit single or double welds with or without the use of filler metal. ASTM A671, ASTM A672, and ASTM A691 require welding from both

³From *Steel Products Manual*, Section 6, American Iron and Steel Institute, August 1952, pp. 5 and 6.

⁴From *Steel Products Manual*, Section 6, American Iron and Steel Institute, January 1952, pp. 6 and 7.

sides of the joint and the use of filler metal. The most common electric-fusion welded pipe is submerged-arc welded (SAW) pipe, which is described in (g), and can be found in ASTM A134, ASTM A139, ASTM A381, ASTM A671, ASTM A672, ASTM A691, and API Spec 5L.

(c) *electric-induction welded (EW) pipe*: pipe having one longitudinal (straight or helical) seam produced by low- or high-frequency electric welding. The process of forming a seam is done by electric-resistance welding, wherein the edges to be welded are mechanically pressed together and the heat for welding is generated by the resistance to flow of electric current applied by induction (no electric contact) or conduction. Typical specifications are ASTM A53, ASTM A135, ASTM A333, and API Spec 5L.

(1) *high-frequency welded (HFW) pipe*: EW pipe produced with a welding current frequency equal to or greater than 70 kHz as stated in API Spec 5L.

(2) *low-frequency welded (LFW) pipe*: EW pipe produced with a welding current frequency less than 70 kHz as stated in API Spec 5L.

NOTE: 360 Hz had been a common upper limit for LFW pipe manufactured prior to 1980.

(d) *electric-resistance welded (EW or ERW) pipe*: see *electric-induction welded (EW) pipe*.

(e) *furnace-butt welded, continuous-weld (CW) pipe*: furnace-welded pipe produced in continuous lengths from coiled skelp and subsequently cut into individual lengths. The pipe's longitudinal butt joint is forge-welded by the mechanical pressure developed in rolling the hot-formed skelp through a set of round pass welding rolls. Typical specifications are ASTM A53 and API Spec 5L.

(f) *seamless (SMLS) pipe*: pipe without a welded seam, produced by a hot-forming process, which can be followed by cold sizing, cold finishing, and/or heat treatment to produce the desired shape, dimensions, and properties. Typical specifications are ASTM A53, ASTM A106, ASTM A333, and API Spec 5L.

(g) *submerged-arc welded (SAW) pipe*: pipe that has been welded from one side or from both sides of a weld joint using the submerged-arc welding process. The pipe can have one or two straight seams or one helical seam. When it is welded from both sides, it is sometimes referred to as double submerged-arc welded (DSAW) pipe. The SAW process produces melting and coalescence of metals by heating them with an arc or arcs between one or more bare metal consumable electrodes and the work, wherein the arc and molten metal are shielded by a blanket of granular flux. Pressure is not used and part or all of the filler metal is obtained from the electrodes. Typical specifications are ASTM A134, ASTM A139, ASTM A381, ASTM A671, ASTM A672, ASTM A691, and API Spec 5L.

NOTE: Information on historic pipe manufacturing processes, including legacy seams such as lap welded, electric-flash welded, single submerged-arc welded, etc., can be found in

ASME Research Report, CRTD Vol. 43, "History of Line Pipe Manufacturing in North America."

804.8 Plastic Pipe

(22)

For plastic pipe, see para. 805.1.3.

805 DESIGN, FABRICATION, OPERATION, AND TESTING TERMS AND DEFINITIONS

805.1 General

805.1.1 Area

class location: a geographic area along the pipeline classified according to the number and proximity of buildings intended for human occupancy and other characteristics that are considered when prescribing design factors for construction, operating pressures, and methods of testing pipelines and mains located in the area and applying certain operating and maintenance requirements.

location class: see *class location*.

right-of-way (ROW): a strip of land on which pipelines, railroads, power lines, roads, highways, and other similar facilities are constructed. The ROW agreement secures the right to pass over property owned by others. ROW agreements generally allow the right of ingress and egress for the operation and maintenance of the facility, and the installation of the facility. The ROW width can vary with the construction and maintenance requirements of the facility's operator and is usually determined based on negotiation with the affected landowner by legal action, or by permitting authority.

805.1.2 Leakage Investigative Terms and Definitions.

For definitions of gas leakage control criteria investigation terms, see [Nonmandatory Appendix M](#).

805.1.3 Plastic Terms and Definitions

(22)

adhesive joint: a joint made in plastic piping by the use of an adhesive substance that forms a continuous bond between the mating surfaces without dissolving either one of them.

dimension ratio (DR): the ratio of outside pipe diameter to wall thickness of thermoplastic pipe. It is calculated by dividing the specified outside diameter of the pipe by the specified minimum wall thickness.

heat-fusion joint: a joint made in thermoplastic piping by heating the parts sufficiently to permit fusion of the materials when the parts are pressed together.

hydrostatic design basis (HDB): one of a series of established stress values (specified in ASTM D2837) for a plastic compound obtained by categorizing the long-term hydrostatic strength determined in accordance with ASTM D2837. Established HDBs are listed in PPI TR-4.

long-term hydrostatic strength: the estimated hoop stress in pounds per square inch (MPa) in a plastic pipe wall that will cause failure of the pipe at an average of 100,000 hr when subjected to a constant hydrostatic pressure. (See [Mandatory Appendix D](#).)

solvent cement joint: a joint made in thermoplastic piping by the use of a solvent or solvent cement that forms a continuous bond between the mating surfaces.

standard dimension ratio (SDR): the ratio of outside pipe diameter to wall thickness of thermoplastic pipe. It is calculated by dividing the specified outside diameter of the pipe by the specified minimum wall thickness corresponding to a value from a common numbering system that was derived from the ANSI preferred number series R 10.

805.1.4 Fabrication Terms and Definitions

arc weld: a weld made by one of a group of welding processes that produces coalescence of metals by heating them with an arc. The processes are used with or without the application of pressure and with or without filler metal.

arc welding: see *arc weld*.

butt joint: a joint between two members aligned approximately in the same plane. See Figures 1(A), 2(A), 3, 51(A), and 51(B) in AWS A3.0.

butt weld: a nonstandard term for a weld in a butt joint.

cold springing: where used in the Code, the fabrication of piping to an actual length shorter than its nominal length and forcing it into position so that it is stressed in the erected condition, thus compensating partially for the effects produced by the expansion due to an increase in temperature. Cold-spring factor is the ratio of the amount of cold spring provided to the total computed temperature expansion.

fillet weld: a weld of approximately triangular cross section joining two surfaces approximately at right angles to each other in a lap joint, tee joint, or corner joint.

girth weld: a complete circumferential butt weld joining pipe or components.

heat treatment: heating and cooling a solid metal or alloy in such a way as to obtain desired properties. Heating for the sole purpose of hot working is not considered heat treatment. If a weldment is heated and cooled in a controlled manner, then the term “postweld heat treatment” is used.

longitudinal weld joint quality factor, E: a value of 1.00 or less applicable to a straight or helical pipe seam weld, based on the type of welding process and relevant supplementary NDE requirements. This longitudinal weld joint quality factor does not apply to girth welds.

seam weld: the longitudinal (straight or helical) seam in pipe, made in the pipe mill for the purpose of making a complete circular cross section.

stress relieving: heating a metal to a suitable temperature, holding at that temperature long enough to reduce residual stresses, and then cooling slowly enough to minimize the development of new residual stresses.

submerged-arc welding: an arc welding process that uses an arc or arcs between a bare metal electrode or electrodes and the weld pool. The arc and molten metal are shielded by a blanket of granular flux on the workpieces. The process is used without pressure and with filler metal from the electrode and sometimes from a supplemental source (welding rod, flux, or metal granules).

tie-in: a connection where a gap is left to divide a pipeline into test sections, or to install a pretested replacement section, or in the continuous line construction at a location such as a river or highway crossing.

tie-in weld: a tie-in connection using a weld, typically a girth weld.

weld: a localized coalescence of metals or nonmetals produced either by heating the materials to the welding temperature, with or without the application of pressure, or by the application of pressure alone and with or without the use of filler material.

welder: one who performs manual or semiautomatic welding.

welding operator: one who operates adaptive control, automatic, mechanized, or robotic welding equipment.

welding procedures: the detailed methods and practices involved in the production of a weldment.

wrinkle bend: a pipe bend produced by a field process that deliberately introduces prominent wrinkles as a means of shortening the inside bend radius. This definition does not apply to a pipeline bend in which incidental minor, smooth ripples are present.

wrought: metal in the solid condition that is formed to a desired shape by working (rolling, extruding, forging, etc.), usually at an elevated temperature.

805.2 Design

805.2.1 Pressure Terms and Definitions

(22)

design pressure: the maximum pressure permitted by this Code, as determined by the design procedures applicable to the materials and locations involved. It is used in calculations or analysis for pressure design of a piping component.

hydrostatic test: a pressure test using a liquid, typically water, as the test medium.

hydrotest: see *hydrostatic test*.

internal design pressure: see *design pressure*.

maximum allowable operating pressure (MAOP): the maximum pressure at which a pipeline system may be operated in accordance with the provisions of this Code.

maximum allowable test pressure: the maximum internal fluid pressure permitted by this Code for a pressure test based upon the material and location involved.

maximum operating pressure (MOP): sometimes referred to as maximum actual operating pressure, the highest pressure at which a piping system is operated during a normal operating cycle.

normal operating pressure: the predicted pressure (sum of static head pressure, pressure required to overcome friction losses, and any back pressure) at any point in a piping system when the system is operating under a set of predicted steady-state conditions.

overpressure protection: the prevention of the pressure in the system or part of the system from exceeding a predetermined value and is typically provided by a device or equipment installed in a gas piping system.

pneumatic test: a pressure test using a gaseous medium to pressurize the pipeline. The gaseous medium may be air, inert gas, or natural gas.

pressure: unless otherwise stated, expressed in pounds per square inch (kilopascals) above atmospheric pressure (i.e., gage pressure) and is abbreviated as psig (kPa).

pressure test: a means by which the integrity of a piece of equipment (pipe) is assessed, in which the item is filled with a fluid, sealed, and subjected to pressure. It is used to validate integrity and detect construction defects and defective materials.

standard service pressure: sometimes called the normal utilization pressure, the gas pressure a utility undertakes to maintain at its domestic customers' meters.

stand-up pressure test: a procedure used to demonstrate the leak tightness of a low-pressure, gas service line, using air or gas as the test medium.

805.2.2 Temperature Terms and Definitions

ambient temperature: the temperature of the surrounding medium, usually used to refer to the temperature of the air in which a structure is situated or a device operates.

ground temperature: the temperature of the earth at pipe depth.

minimum design temperature: the lowest anticipated material temperature during service. The user of this Code is cautioned that ambient and operating temperature conditions may exist during construction, start-up, or shutdown that require special design considerations or operating restrictions.

temperature: expressed in degrees Fahrenheit (°F) [degrees Celsius (°C)].

805.2.3 Stress Terms and Definitions

(22)

bending stress: the force per unit area acting at a point along the length of a member resulting from the bending moment applied at that point.

compressive stress: the applied pushing force divided by the original cross-sectional area.

hoop stress, S_H [psi (MPa)]: the stress in a pipe of nominal wall thickness, t [in. (mm)], acting circumferentially in a plane perpendicular to the longitudinal axis of the pipe, produced by the pressure, P [psig (kPa)], of the fluid in a pipe of diameter, D [in. (mm)]; it is determined by Barlow's formula:

(U.S. Customary Units)

$$S_H = \frac{PD}{2t}$$

(SI Units)

$$S_H = \frac{PD}{2000t}$$

maximum allowable hoop stress: the maximum hoop stress permitted by this Code for the design of a piping system. It depends on the material used, the location of the pipe, the operating conditions, and other limitations imposed by the designer in conformance with this Code.

operating stress: the stress in a pipe or structural member under normal operating conditions.

residual stress: stress present in an object in the absence of any external loading, typically resulting from manufacturing or construction processes.

secondary stress: stress created in the pipe wall by loads other than internal fluid pressure, such as backfill loads, traffic loads, loads caused by natural hazards (see [para. 841.1.10](#)), beam action in a span, loads at supports, and at connections to the pipe.

stress: the internal resistance of a body to an externally applied force, expressed in units of force per unit area [psi (MPa)]. It may also be termed unit stress.

stress concentration: a discontinuity in a structure or change in contour that causes a local increase in stress.

stress concentrator: see *stress concentration*.

stress level: the level of tangential or hoop stress, usually expressed as a percentage of specified minimum yield strength.

tensile stress: the applied pulling force divided by the original cross-sectional area.

805.2.4 Construction, Operation, and Maintenance Terms and Definitions

(22)

abandoned: permanently removed from service.

actionable anomaly: an anomaly that may exceed acceptable limits based on the operator's anomaly and pipeline data analysis.

anomaly: an unexamined deviation from the norm in pipe material, coatings, or welds.

anomaly and pipeline data analysis: the process through which anomaly and pipeline data are integrated and analyzed to further classify and characterize anomalies.

backfill: material placed in a hole or trench to fill excavated space around a pipeline or other appurtenances.

certification: written testimony of qualification.

consequence: the impact that a pipeline failure could have on the public, employees, property, and the environment.

crack: very narrow, elongated defect caused by mechanical splitting into parts.

defect: a physically examined anomaly with dimensions or characteristics that exceed acceptable limits.

dent: a permanent deformation of the circular cross-section of the pipe that produces a decrease in the diameter and is concave inward.

discontinuity: an interruption of the typical structure of a material, such as a lack of homogeneity in its mechanical, metallurgical, or physical characteristics. A discontinuity is not necessarily a defect.

evaluation: a review following the characterization of an actionable anomaly to determine whether the anomaly meets specified acceptance criteria.

examination: the direct physical inspection of a pipeline, which may include the use of nondestructive examination (NDE) techniques or methods.

experience: work activities accomplished in a specific nondestructive testing (NDT) method under the direction of qualified supervision including the performance of the NDT method and related activities but not including time spent in organized training programs.

failure: a general term used to imply that a part in service has become completely inoperable; is still operable but is incapable of satisfactorily performing its intended function; or has deteriorated seriously, to the point that it has become unreliable or unsafe for continued use.

fatigue: the process of development of, or enlargement of, a crack as a result of repeated cycles of stress.

fracture toughness: the resistance of a material to fail from the extension of a crack.

gouge: mechanically induced material loss that causes localized elongated grooves or cavities in a metal pipeline.

grinding: removal of material by abrasion, usually utilizing a rigid abrasive carrier, such as a disk.

imperfection: an anomaly with characteristics that do not exceed acceptable limits.

inclusion: a nonmetallic phase such as an oxide, sulfide, or silicate particle in a metal pipeline.

indication: a finding of a nondestructive testing technique or method that deviates from the expected. It may or may not be a defect.

in-line inspection (ILI): a steel pipeline inspection technique that uses devices known in the industry as intelligent or smart pigs. These devices run inside the pipe and provide indications of metal loss, deformation, and other defects.

in-service pipeline: a pipeline that contains natural gas to be transported. The gas may or may not be flowing.

inspection: the use of a nondestructive testing technique or method.

integrity: the capability of the pipeline to withstand all anticipated loads (including hoop stress due to operating pressure) plus the margin of safety established by this section.

integrity assessment: a process that includes inspection of pipeline facilities, evaluating the indications resulting from the inspections, examining the pipe using a variety of techniques, evaluating the results of the examinations, characterizing the evaluation by defect type and severity, and determining the resulting integrity of the pipeline through analysis.

leak: an unintentional escape of gas from the pipeline. The source of the leak may be holes, cracks (including propagating and nonpropagating, longitudinal, and circumferential), separation or pullout, or loose connections.

mechanical damage: a type of metal damage in a pipe or pipe coating caused by the application of an external force. Mechanical damage can include denting, coating removal, metal removal, metal movement, cold working of the underlying metal, puncturing, and residual stresses.

mitigation: the limitation or reduction of the probability of occurrence or expected consequence for a particular event.

nondestructive examination (NDE): a testing method, such as radiographic, ultrasonic, magnetic, liquid penetrant, visual, leak, eddy current, or acoustic emission, or a testing technique, such as magnetic-flux leakage, magnetic-particle inspection, shear-wave ultrasonic, or contact compression-wave ultrasonic.

nondestructive testing (NDT): see *nondestructive examination (NDE)*.

pig: a device run inside a pipeline to clean or inspect the pipeline, or to batch fluids.

pig trap: an ancillary item of pipeline equipment, such as a launcher or receiver, with associated pipework and valves, for introducing a pig into a pipeline or removing a pig from a pipeline.

pigging: the use of any independent, self-contained device, tool, or vehicle that moves through the interior of the pipeline for inspecting, dimensioning, cleaning, or drying.

qualification: demonstrated and documented knowledge, skills, and abilities, along with documented training, experience, or both, required for personnel to properly perform the duties of a specific job or task.

rupture: a complete failure of any portion of the pipeline that allows the product to escape to the environment.

scraper trap: see *pig trap*.

slug: a volume of liquid or gas, completely filling the cross section of the pipe.

survey: measurements, inspections, or observations intended to discover and identify events or conditions that indicate a departure from normal operation or undamaged condition of the pipeline.

training: an organized program developed to impart the knowledge and skills necessary for qualification.

ultrasonic: high-frequency sound. Ultrasonic examination is used to determine wall thickness and to detect the presence of defects.

uprating: the qualifying of an existing pipeline or main for a higher maximum allowable operating pressure.

805.2.5 Corrosion Control Terms and Definitions

anode: the electrode of an electrochemical cell at which oxidation occurs. Electrons flow away from the anode in the external circuit. Corrosion usually occurs and metal ions enter the solution at the anode.

bracelet anodes: galvanic anodes with geometry suitable for direct attachment around the circumference of a pipeline. These may be half-shell bracelets consisting of two semicircular sections or segmented bracelets consisting of many individual anodes.

cathodic protection (CP): a technique to reduce the corrosion of a metal surface by making that surface the cathode of an electromechanical cell.

cell: a system consisting of an anode and a cathode immersed in an electrolyte so as to create an electrical circuit. The anode and cathode may be different metals or dissimilar areas on the same metal surface.

coating: a liquid, liquefiable, or mastic composition that, after application to a surface, is converted into a solid protective, decorative, or functional adherent film. Coating also includes tape wrap.

coating system: the complete number and types of coats applied to a substrate in a predetermined order. (When used in a broader sense, surface preparation, pretreatments, dry film thickness, and manner of application are included.)

corrosion: the deterioration of a material, usually a metal, that results from an electrochemical reaction with its environment.

corrosion fatigue: fatigue-type cracking of metal caused by repeated or fluctuating stresses in a corrosive environment and characterized by shorter life than would be encountered as a result of either the repeated or fluctuating stress alone or the corrosive environment alone.

corrosion inhibitor: a chemical substance or combination of substances that, when present in the environment or on a surface, prevents or reduces corrosion.

corrosion rate: the rate at which corrosion proceeds.

corrosiveness: the tendency of an environment to cause corrosion or the degree to which or rate at which it causes corrosion.

crevice corrosion: localized corrosion of a metal surface at, or immediately adjacent to, an area that is shielded from full exposure to the environment because of close proximity of the metal to the surface of another material.

curing: a chemical process of developing the intended properties of a coating or other material (e.g., resin) over a period of time.

current: a flow of electric charge.

current density: the current to or from a unit area of an electrode surface or through a unit area of a conductor or electrolyte.

depolarization: the removal of factors resisting the current in an electrochemical cell.

dielectric coating: a coating that does not conduct electricity.

dissimilar metals: different metals that could form an anode-cathode relationship in an electrolyte when connected by a metallic path.

electric potential: a voltage difference existing between two points, such as the pipe and its environment.

electrical interference: any electrical disturbance on a metallic structure in contact with an electrolyte caused by stray current(s).

electrical isolation: the condition of being electrically separated from other metallic structures or the environment.

electrochemical cell: see *cell*.

electrode: a conductor used to establish contact with an electrolyte and through which current is transferred to or from an electrolyte.

electrolyte: a medium containing ions that migrate in an electric field.

epoxy: type of resin formed by the reaction of aliphatic or aromatic polyols (like bisphenol) with epichlorohydrin and characterized by the presence of reactive oxirane end groups.

erosion: the progressive loss of material from a solid surface due to mechanical interaction between that surface and a fluid, a multicomponent fluid, or solid particles carried with the fluid.

fault current: a current that flows from one conductor to ground or to another conductor due to an abnormal connection (including an arc) between the two. A fault current flowing to ground may be called a ground fault current.

film: a thin, not necessarily visible layer of material.

foreign structure: any metallic structure that is not intended as a part of a system under cathodic protection.

galvanic anode: a metal that provides sacrificial protection to another metal that is more noble when electrically coupled in an electrolyte. This type of anode is the electron source in one type of cathodic protection.

galvanic corrosion: accelerated corrosion of a metal because of an electrical contact with a more noble metal and/or a more noble localized section of the metal or nonmetallic conductor in a corrosive electrolyte.

graphitization: the formation of graphite in iron or steel, usually from decomposition of iron carbide at elevated temperatures. This should not be used as a term to describe graphitic corrosion.

holiday: a discontinuity in a protective coating that exposes unprotected surface to the environment.

hydrogen embrittlement: a loss of ductility of a metal resulting from absorption of hydrogen.

hydrogen stress cracking: cracking that results from the presence of hydrogen in a metal in combination with tensile stress. It occurs most frequently with high-strength alloys.

impressed current: an electric current supplied by a device employing a power source that is external to the electrode system. (An example is direct current for cathodic protection.)

impressed current anode: an electrode suitable for use as an anode when connected to a source of impressed current, which is generally composed of a substantially inert material that conducts by oxidation of the electrolyte and, for this reason, is not corroded appreciably.

intergranular corrosion: preferential corrosion at or along the grain boundaries of a metal (also known as intercrystalline corrosion).

ion: an electrically charged atom or group of atoms.

metal loss: any of a number of types of anomalies in pipe in which metal has been removed from the pipe surface, usually due to corrosion or gouging.

noble: the positive direction of electrode potential, thus resembling noble metals such as gold and platinum.

overvoltage: the change in potential of an electrode from its equilibrium or steady-state value when current is applied.

paint: a pigmented liquid or resin applied to a substrate as a thin layer that is converted to an opaque solid film after application. It is commonly used as a decorative or protective coating.

pipe-to-soil potential: the electric potential difference between the surface of a buried or submerged metallic structure and the electrolyte that is measured with reference to an electrode in contact with the electrolyte.

pitting: localized corrosion of a metal surface that is confined to a small area and takes the form of cavities called pits.

polarization: the change from the open-circuit potential as a result of current across the electrode/electrolyte interface.

protective coating: a coating applied to a surface to protect the substrate from corrosion or other damage.

resistivity:

(a) the resistance per unit length of a substance with uniform cross section.

(b) a measure of the ability of an electrolyte (e.g., soil) to resist the flow of electric charge (e.g., cathodic protection current). Resistivity data are used to design a groundbed for a cathodic protection system.

rust: corrosion product consisting of various iron oxides and hydrated iron oxides. (This term properly applies only to iron and ferrous alloys.)

shielding: preventing or diverting the flow of cathodic protection current from its natural path.

stray current: current through paths other than the intended circuit.

stress corrosion cracking (SCC): a form of environmental attack of the metal involving an interaction of a local corrosive environment and tensile stresses in the metal, resulting in formation and growth of cracks.

805.2.6 Engineering Terms and Definitions

brittle fracture: fracture with little or no plastic deformation.

design life: a period of time used in design calculations, selected to verify that a replaceable or permanent component is suitable for the anticipated period of service. Design life may not pertain to the life of a pipeline system because a properly maintained and protected pipeline system can provide service indefinitely.

ductility: a measure of the capability of a material to be deformed plastically before fracturing.

elastic distortion: changes of dimensions of a material upon the application of a stress within the elastic range. Following the release of an elastic stress, the

material returns to its original dimensions without any permanent deformation.

elastic limit: the maximum stress to which a material may be subjected without retention of any permanent deformation after the stress is removed.

elasticity: the property of a material that allows it to recover its original dimensions following deformation by a stress below its elastic limit.

engineering assessment: a documented assessment using engineering principles of the effect of relevant variables upon service or integrity of a pipeline system and conducted by or under supervision of a competent person with demonstrated understanding of and experience in the application of engineering and risk management principles related to the issue being assessed.

engineering critical assessment: an analytical procedure based upon fracture mechanics that allows determination of the maximum tolerable sizes for imperfections, and conducted by or under supervision of a competent person with demonstrated understanding of and experience in the application of the engineering principles related to the issue being assessed.

modulus of elasticity: a measure of the stiffness or rigidity of a material. It is actually the ratio of stress to strain in the elastic region of a material. If determined by a tension or compression test, it is also called Young's modulus or the coefficient of elasticity.

probability: the likelihood of an event occurring.

risk: a measure of potential loss in terms of both the incident probability (likelihood) of occurrence and the magnitude of the consequences.

span: a section of the pipe that is unsupported.

strain: the change in length of a material in response to an applied force, expressed on a unit length basis [e.g., inches per inch (millimeters per millimeter)].

vortex-induced vibration: the periodic shedding of fluid vortices from air or water flow impinging on the pipe that may introduce oscillatory forces on the pipeline and consequent fatigue damage. Also called vortex shedding.

(22) 805.2.7 Miscellaneous Terms and Definitions

may: used to denote permission; neither a requirement nor a recommendation.

shall: used to denote a requirement.

should: used to denote a recommendation.

806 QUALITY ASSURANCE

Quality Control systems consist of those planned, systematic, and preventative actions that are required to ensure that materials, products, and services will meet specified requirements. Quality Assurance

systems and procedures consist of periodic audits and checks that ensure the Quality Control system will meet all of its stated purposes.

The integrity of a pipeline system may be improved by the application of Quality Assurance systems. These systems should be applied to the design, procurement, construction, testing, operating, and maintenance activities in the applications of this Code.

Organizations performing design, fabrication, assembly, erection, inspection, examination, testing, installation, operation, and maintenance application for B31.8 piping systems should have a written Quality Assurance system in accordance with applicable documents. Registration or certification of the Quality Assurance system should be by agreement between the contracting parties involved.

807 TRAINING AND QUALIFICATION OF PERSONNEL

807.1 Program

Each operating company shall have a program to manage the qualification of personnel who perform operating, maintenance, and construction activities that could impact the safety or integrity of a pipeline. The program shall address, at a minimum, the following elements:

(a) Identify those tasks for which the qualification provisions of the program apply. The tasks shall include operating, maintenance, and construction activities that could impact the safety or integrity of a pipeline.

(b) For each task covered by the program, identify abnormal operating conditions, and describe the process used to ensure that individuals who perform these tasks are able to recognize and react to such conditions. An abnormal operating condition is defined in ASME B31Q as a condition that may indicate a malfunction of a component or deviation from normal operations that may

(1) indicate a condition exceeding design limits

(2) result in hazard(s) to persons, property, or the environment

(c) Identify training requirements for personnel involved in performing tasks covered by the program.

(d) Describe the evaluation process and criteria used to determine

(1) initial qualification

(2) subsequent or ongoing qualification

(3) suspension or revocation of qualifications

(4) reinstatement of qualifications

(e) Establish organizational responsibilities for carrying out each program element.

(f) Establish a process to periodically evaluate the effectiveness of the qualification program, including provisions for updating the program based on the results of effectiveness appraisals.

(g) Describe how program requirements are communicated to affected individuals and how changes to program requirements are managed and communicated.

(h) Identify the documentation requirements needed to adequately manage the program.

807.2 Operating and Maintenance Functions

In addition to the requirements in [para. 807.1](#), each operating company shall provide training for employees in procedures established for operating and maintenance

functions. The training shall be comprehensive and designed to prepare employees for service in their area of responsibility.

807.3 Reference

A useful reference for managing personnel qualifications is ASME B31Q.

Chapter I

Materials and Equipment

810 MATERIALS AND EQUIPMENT

It is intended that all materials and equipment that will become a permanent part of any piping system constructed under this Code shall be suitable and safe for the conditions under which they are used. All such materials and equipment shall be qualified for the conditions of their use by compliance with certain specifications, standards, and special requirements of this Code, or otherwise as provided herein.

811 QUALIFICATION OF MATERIALS AND EQUIPMENT

811.1 Categories

Materials and equipment fall into the following six categories pertaining to methods of qualification for use under this Code:

(a) items that conform to standards or specifications referenced in this Code

(b) items that are important from a safety standpoint, of a type for which standards or specifications are referenced in this Code but specifically do not conform to a referenced standard (e.g., pipe manufactured to a specification not referenced in this Code)

(c) items of a type for which standards or specifications are referenced in this Code but that do not conform to the standards and are relatively unimportant from a safety standpoint because of their small size or because of the conditions under which they are to be used

(d) items of a type for which no standard or specification is referenced in this Code (e.g., gas compressor)

(e) proprietary items (see definition, [para. 804.3](#))

(f) unidentified or used pipe

811.2 Procedures for Qualification

Prescribed procedures for qualifying each of these six categories are given in the following paragraphs.

811.2.1 Conformance. Items that conform to standards or specifications referenced in this Code [see [para. 811.1\(a\)](#)] may be used for appropriate applications, as prescribed and limited by this Code without further qualification. (See [section 814](#).)

811.2.2 Nonconformance (Important Items). Important items of a type for which standards or specifications are referenced in this Code, such as pipe, valves, and flanges, but that do not conform to standards or specifications referenced in this Code [see [para. 811.1\(b\)](#)] shall be qualified as follows:

A material conforming to a written specification that does not vary substantially from a referenced standard or specification and that meets the minimum requirements of this Code with respect to quality of materials and workmanship may be used. This paragraph shall not be construed to permit deviations that would tend to affect weldability or ductility adversely. If the deviations tend to reduce strength, full allowance for the reduction shall be provided for in the design.

811.2.3 Nonconformance (Unimportant Items). Relatively unimportant items that do not conform to a standard or specification [see [para. 811.1\(c\)](#)] may be used, provided that

(a) they are tested or investigated and found suitable for the proposed service

(b) they are used at unit stresses not greater than 50% of those allowed by this Code for comparable materials

(c) their use is not specifically prohibited by this Code

811.2.4 No Standards or Specifications Referenced. Items of a type for which no standards or specifications are referenced in this Code [see [para. 811.1\(d\)](#)] and proprietary items [see [para. 811.1\(e\)](#)] may be qualified by the user provided

(a) the user conducts an investigation and tests (if needed) that demonstrate that the item of material or equipment is suitable and safe for the proposed service (e.g., clad or duplex stainless steel pipe); or

(b) the manufacturer affirms the safety of the item recommended for that service (e.g., gas compressors and pressure-relieving devices)

811.3 Unidentified or Used Pipe

Unidentified or used pipe [see [para. 811.1\(f\)](#)] may be used and is subject to the requirements of [section 817](#).

812 MATERIALS FOR USE IN LOW-TEMPERATURE APPLICATIONS

Some of the materials conforming to specifications referenced for use under this Code may not have properties suitable for operation at low temperatures. Users of this Code are cautioned to consider the effects of low temperature and the potential impact on fracture performance at low temperatures.

Whenever the minimum design temperature is below -20°F (-29°C), a fracture control program shall be established. The program shall address parent materials, the parent material seam weld (if present), circumferential butt welds, attachment welds, and any weld heat-affected zone (HAZ).

Of primary importance in the fracture control program is the prevention of brittle fracture initiation that can occur at small stress concentrations. As a minimum, the fracture control program shall require Charpy impact energy testing at or below the minimum design temperature. The specific energy requirement is a function of the strength of the material, its thickness, and the design stress. See [para. 841.1.2](#) for additional requirements relative to fracture control for pipe.

Provided the manufacturer's fracture toughness testing of reference material (material standards and specifications referenced in [Mandatory Appendix A](#) or [Nonmandatory Appendix C](#)) is performed at or below the pipeline minimum design temperature and meets the requirements of the fracture control plan, additional toughness testing of the material is not required. The welding procedure for circumferential welds shall be qualified as conforming to the fracture control program by Charpy testing at or below the minimum design temperature.

813 MARKING

813.1 Scope

All valves, fittings, flanges, bolting, pipe, and tubing shall be marked in accordance with the marking sections of the standards and specifications to which the items were manufactured or in accordance with the requirements of MSS SP-25.

813.2 Die Stamping

Die stamping, if used, shall be done with dies having blunt or rounded edges to minimize stress concentrations.

813.3 Multiple Marking of Materials or Components

Materials or components marked as meeting the requirements for two or more specifications (or grades, classes, or types) are acceptable, provided

(a) At least one or more of the multiple markings include a material specification (or grade, class, or type) that is permitted by this Code, and the material meets all the requirements of that specification.

(b) The appropriate design values and material properties from only the selected applicable specification (or grade, class, or type) shall be used. Design values and material properties from other specifications, grades, classes, or types for which the material is marked, including those acceptable to this Code, shall not be used or substituted for those in the selected specification.

(c) All other requirements of this Code are satisfied for the material selected.

Multiple marking shall be in accordance with the material specification, if allowed. Otherwise, multiple marking shall be in accordance with the guidelines set out in the BPV Code, Section II, Part D, Appendix 7.

814 MATERIAL SPECIFICATIONS

For a listing of all referenced material specifications, see [Mandatory Appendix A](#). For a listing of standards for other commonly used materials that are not referenced, see [Nonmandatory Appendix C](#).

814.1 Pipe Conforming to Referenced Standards and Specifications

(22)

Pipe that is qualified under [para. 811.1\(a\)](#) may be used.

814.1.1 Steel Pipe

(a) Steel pipe manufactured in accordance with the following standards may be used:

API Spec 5L	Line Pipe
ASTM A53/A53M	Pipe, Steel, Black and Hot-Dipped, Zinc-Coated, Welded and Seamless
ASTM A106/A106M	Seamless Carbon Steel Pipe for High-Temperature Service
ASTM A134	Pipe, Steel, Electric-Fusion (Arc)-Welded Pipe (Sizes NPS 16 and Over)
ASTM A135/A135M	Electric-Resistance-Welded Steel Pipe
ASTM A139/A139M	Electric-Fusion (Arc)-Welded Steel Pipe (Sizes NPS 4 and Over)
ASTM A333/A333M	Seamless and Welded Steel Pipe for Low-Temperature Service
ASTM A381	Metal-Arc-Welded Steel Pipe for Use With High-Pressure Transmission Systems

Table continued

ASTM A671/A671M	Electric-Fusion-Welded Steel Pipe for Atmospheric and Lower Temperatures
ASTM A672/A672M	Electric-Fusion-Welded Steel Pipe for High-Pressure Service at Moderate Temperatures
ASTM A691/A691M	Carbon and Alloy Steel Pipe, Electric-Fusion-Welded for High-Pressure Service at High Temperatures

(b) Cold expanded pipe shall meet the mandatory requirements of API Spec 5L.

814.1.2 Ductile Iron Pipe. Ductile iron pipe manufactured in accordance with ANSI A21.52, Ductile-Iron Pipe, Centrifugally Cast, for Gas, may be used.

814.1.3 Plastic Pipe and Components

(a) Plastic pipe and components manufactured in accordance with the following standards may be used:

(1) For polyethylene (PE) pipe, use

ASTM D2513 Polyethylene (PE) Gas Pressure Pipe, Tubing, and Fittings

(2) For polyamide-11 (PA-11) pipe, use

ASTM D2517 Reinforced Epoxy Resin Gas Pressure Pipe and Fittings

ASTM F2945 Polyamide 11 Gas Pressure Pipe, Tubing, and Fittings

(b) Thermoplastic pipe, tubing, fittings, and cements conforming to ASTM D2513 shall be produced in accordance with the in-plant quality control program recommended in Annex A3 of that specification.

814.1.4 Qualification of Plastic Piping Materials

(a) In addition to complying with the provisions of [para. 814.1.3](#), the user shall thoroughly investigate the specific plastic pipe, tubing, or fitting to be used and shall determine material serviceability for the conditions anticipated. The selected material shall be adequately resistant to the liquids and chemical atmospheres that may be encountered.

(b) When plastic pipe, tubing, or fittings of different material specifications are joined, a thorough investigation shall be made to determine that the materials are compatible with each other. See [para. 842.2.9](#) for joining requirements.

814.2 Steel, Cast Iron, and Ductile Iron Piping Components

Specific requirements for these piping components that qualify under [para. 811.1\(a\)](#) are found in [Chapter III](#).

815 EQUIPMENT SPECIFICATIONS

Except for the piping components and structural materials listed in [Mandatory Appendix A](#) and [Nonmandatory Appendix C](#), it is not intended to include in this Code complete specifications for equipment. Certain details of design and fabrication, however, necessarily refer to equipment, such as pipe hangers, vibration dampeners, electrical facilities, engines, compressors, etc. Partial specifications for such equipment items are given herein, particularly if they affect the safety of the piping system in which they are to be installed. In other cases where this Code gives no specifications for the particular equipment item, the intent is that the safety provisions of this Code shall govern, insofar as they are applicable. In any case, the safety of equipment installed in a piping system shall be equivalent to that of other parts of the same system.

816 TRANSPORTATION OF LINE PIPE

(22)

Provisions should be made to protect the pipe, bevels, corrosion coating, and weight coating (if applicable) from damage during any transportation (highway, rail, and/or water) of line pipe.

Any line pipe to be transported by truck, railroad, inland waterway, or by marine transportation shall be loaded and transported in accordance with API RP 5LT, API RP 5L1 or API RP 5LW, as applicable. Where it is not possible to establish that pipe was loaded and transported in accordance with the above referenced recommended practice, the pipe shall be hydrostatically tested for at least 2 hr to at least 1.25 times the maximum allowable operating pressure if installed in a Class 1 Location, or to at least 1.5 times the maximum allowable operating pressure if installed in a Class 2, 3, or 4 Location.

817 CONDITIONS FOR THE REUSE OF PIPE

817.1 Reuse of Steel Pipe

817.1.1 Equivalent Service Level. Removal of a portion of an existing steel line and reuse of the pipe, in the same line or in a line operating at the same or lower rated pressure, is permitted, provided that the fracture toughness of the removed pipe is commensurate with or exceeds that of the line operating at the same or lower rated pressure and the used pipe meets the restrictions of [paras. 817.1.3\(a\)](#), [817.1.3\(f\)](#), and [817.1.3\(i\)](#). Reuse of the pipe in the same line or in a line operating at the same or lower pressure and the same or higher temperature is permitted subject to the same [para. 817.1.3](#) restrictions cited herein and any

derations as required by Table 841.1.8-1. Removed pipe that is reinstalled in the same location need not be retested. Used pipe installed elsewhere is subject to paras. 817.1.3(i) and 817.1.3(j).

817.1.2 Low Hoop Stress Service Level [Less Than 6,000 psi (41 MPa)]. Used steel pipe and unidentified new steel pipe may be used for low-stress [hoop stress less than 6,000 psi (41 MPa)] level service where no close coiling or close bending is to be done, provided that

(a) careful visual examination indicates that it is in good condition and free from split seams or other defects that would cause leakage

(b) if the pipe is to be welded and is of unknown specification, it shall satisfactorily pass weldability tests prescribed in para. 817.1.3(e)

(22) **817.1.3 Midrange Hoop Stress Service Level [Greater Than 6,000 psi (41 MPa) but Less Than 24,000 psi (165 MPa)].** Unidentified steel pipe and unidentified new steel pipe may be qualified for use at hoop stress levels above 6,000 psi (41 MPa) or for service involving close coiling or close bending by the procedures and within the following limits:

(a) *Inspection.* All pipe shall be cleaned inside and outside, if necessary, to permit good inspection. All pipe shall be visually inspected to determine that it is reasonably round and straight and to discover any defects that might impair its strength or tightness.

(b) *Bending Properties.* For pipe NPS 2 (DN 50) and smaller, a sufficient length of pipe shall be bent cold through 90 deg around a cylindrical mandrel, the diameter of which is 12 times the nominal diameter of the pipe, without developing cracks at any portion and without opening the weld.

For pipe larger than NPS 2 (DN 50), flattening tests as prescribed in Mandatory Appendix H shall be made. The pipe shall meet the requirements in this test, except that the number of tests required to determine flattening properties shall be the same as required in (g) to determine yield strength.

(c) *Determination of Nominal Wall Thickness.* Unless the nominal wall thickness is known with certainty, it shall be determined by measuring the thickness at quarter points on one end of each piece of pipe. If the lot of pipe is known to be of uniform grade, size, and nominal thickness, measurement shall be made on not less than 10% of the individual lengths, but not less than 10 lengths; thickness of the other lengths may be verified by applying a gage set to the minimum thickness. Following such measurement, the nominal wall thickness shall be taken as the next commercial wall thickness below the average of all the measurements taken, but in no case greater than 1.14 times the least measured thickness for all pipe smaller than NPS 20 (DN 500), and no greater than 1.11 times the least measured thickness for all pipe NPS 20 (DN 500) and larger.

(d) *Longitudinal Weld Joint Quality Factor, E.* If the type of longitudinal joint can be determined with certainty, the corresponding longitudinal weld joint quality factor, E (see Table 841.1.7-1), may be used. Otherwise, E shall be taken as 0.60 for pipe NPS 4 (DN 100) and smaller, or 0.80 for pipe larger than NPS 4 (DN 100).

(e) *Weldability.* Weldability shall be determined as follows. A qualified welder shall make a girth weld in the pipe. The weld shall then be tested in accordance with requirements of API Std 1104. The qualifying weld shall be made under the most severe conditions under which welding will be permitted in the field and using the same procedure as to be used in the field. The pipe shall be considered weldable if the requirements set forth in API Std 1104 are met. At least one such test weld shall be made for each 100 lengths of pipe on sizes larger than NPS 4 (DN 100). On sizes NPS 4 (DN 100) and smaller, one test will be required for each 400 lengths of pipe. If in testing the weld the requirements of API Std 1104 cannot be met, the weldability may be established by making chemical tests for carbon and manganese (see para. 823.2.3), and proceeding in accordance with the provisions of the BPV Code, Section IX. The number of chemical tests shall be the same as required for circumferential weld tests stated herein.

(f) *Surface Defects.* All pipe shall be examined for gouges, grooves, and dents and shall be qualified in accordance with the provisions of para. 841.2.4.

(g) *Determination of Yield Strength.* When the manufacturer's specified minimum yield strength, tensile strength, or elongation for the pipe is unknown, and no physical tests are made, the minimum yield strength for design shall be taken as not more than 24,000 psi (165 MPa). Alternatively, the tensile properties may be established as follows:

(1) Perform all tensile tests prescribed by API Spec 5L, except that the number of such tests shall be as shown in Table 817.1.3-1.

(2) All test specimens shall be selected at random.

(3) If the yield-tensile ratio exceeds 0.85, the pipe shall not be used, except as provided in para. 817.1.2.

(h) *S Value.* For pipe of unknown specification, the yield strength, to be used as S in the formula of para. 841.1.1, in lieu of the specified minimum yield strength, shall be 24,000 psi (165 MPa), or determined as follows.

**Table 817.1.3-1
Tensile Testing**

Lot	Number of Tensile Tests, All Sizes
10 lengths or less	1 set of tests from each length
11 to 100 lengths	1 set of tests for each 5 lengths, but not less than 10
Greater than 100 lengths	1 set of tests for each 10 lengths, but not less than 20

Determine the average value of all yield strength tests for a uniform lot. The value of S shall then be taken as the lesser of the following:

(1) 80% of the average value of the yield strength tests

(2) the minimum value of any yield strength test, provided, however, that in no case shall S be taken as greater than 52,000 psi (359 MPa)

(i) *Hydrostatic Test.* New or used pipe of unknown specification and all used pipe, the strength of which is impaired by corrosion or other deterioration, shall be retested hydrostatically either length by length in a mill-type test or in the field after installation before being placed in service. The test pressure used shall establish the maximum allowable operating pressure, subject to limitations described in [para. 841.1.3](#).

(j) *Fracture Control and Arrest.* Without fracture toughness testing per [para. 841.1.2](#), unidentified steel pipe and new or used pipe of unknown specification shall not be used in the following applications:

(1) where the operating hoop stress exceeds 40% SMYS for NPS 16 and larger

(2) where the operating hoop stress exceeds 72% SMYS for sizes smaller than NPS 16 (Class 1 Division 1 locations)

(3) where the minimum design temperature is below -20°F (-29°C)

817.2 Reuse of Ductile Iron Pipe

817.2.1 Equivalent Service Level. The removal of a portion of an existing line of unknown specifications and the reuse of the pipe in the same line or in a line operating at the same or lower pressure is permitted, provided careful inspection indicates that the pipe is sound, permits the makeup of tight joints, and has an actual net wall thickness equal to or exceeding the requirements of [para. 842.1.1\(d\)](#). The pipe shall be leak-tested in accordance with [para. 841.3.4](#) or [para. 841.3.5](#).

817.2.2 Known Specifications. Used pipe of known specifications may be reused in accordance with the provisions and specifications of [para. 842.1](#) provided a careful inspection indicates the pipe is sound and permits the makeup of tight joints.

817.3 Reuse of Plastic Piping

Used plastic pipe and tubing of known specifications and dimensions that have been used in natural gas service only may be reused, provided that all of the following are true:

(a) It meets the requirements of ASTM D2513 or ASTM F2945 for new thermoplastic pipe or tubing, or ASTM D2517 for new thermosetting pipe.

(b) A careful inspection indicates that it is free of visible defects.

(c) It is installed and tested in accordance with the requirements of this Code for new pipe.

Chapter II Welding

820 WELDING

This Chapter addresses the welding of pipe joints in both wrought and cast steel materials and covers butt-welded and fillet-welded joints in pipe, valves, flanges, and fittings, and fillet-welded joints in pipe branches, slip-on flanges, socket weld fittings, etc., as applied in pipelines and connections to apparatus or equipment. This Chapter does not apply to the welding of the seam in the manufacture of pipe.

821 GENERAL

When valves or equipment are furnished with welding ends suitable for welding directly into a pipeline, the design, composition, welding, and stress relief procedures must be such that no significant damage will result from the welding or stress relieving operation.

821.1 Welding Processes

The welding may be done by any process or combination of processes that produce welds that meet the procedure qualification requirements of this Code. The welds may be produced by position welding or roll welding, or a combination of position and roll welding.

821.2 Welding Procedure

Prior to welding of any pipe, piping components, or related equipment covered by this Code, a welding procedure shall be established and qualified. Each welder or welding operator shall be qualified for the established procedure before performing any welding on any pipe, piping components, or related equipment installed in accordance with this Code.

821.3 Weld Acceptance

The standards of acceptability for welds of piping systems to operate at hoop stress levels of 20% or more of specified minimum yield strength as established in API Std 1104 shall be used.

821.4 Welding Qualifications

All welding procedures and welder qualifications shall be in accordance with [section 823](#).

821.5 Welding Safety

Prior to welding in or around a structure or area containing gas facilities, a thorough check shall be made to determine the possible presence of a combustible gas mixture. Welding shall begin only when safe conditions are indicated.

821.6 Welding Terms

Definitions pertaining to welding as used in this Code conform to the standard definitions established by the American Welding Society and contained in AWS A3.0.

822 PREPARATION FOR WELDING

822.1 Butt Welds

(22)

(a) Some acceptable end preparations are shown in [Mandatory Appendix I, Figure I-4](#).

(b) [Figure I-5](#) shows acceptable end preparations for butt welding of pieces having either unequal thickness or unequal yield strength, or both.

(c) Offset due to misalignment in equal-thickness joints made in production shall be limited to $\frac{1}{3}$ of the thickness of the materials being joined.

(d) Offset due to misalignment in unequal-thickness joints shall be configured in accordance with [Mandatory Appendix I, Figure I-5](#). However, it is not always possible to achieve external or internal diameter alignment. If that is the case, then the offsets due to misalignment shall be limited to $\frac{1}{3}$ of the thinner of the two thicknesses being joined, as shown in [Mandatory Appendix I, Figure I-6](#).

(e) Alternative offset limits to those in (c) and (d) may be established by engineering analysis or testing that accounts for material strength, fracture properties, allowed weld flaw size, and expected loading. The alternative offset limit shall not reduce weld strength or strain capacity to levels unacceptable for the intended service conditions. The offset shall not result in a weld deposit that is less than the thickness of the thinner component.

(f) All welds configured according to [Mandatory Appendix I, Figure I-6](#) shall exhibit full penetration. The internal bevel angle shall not exceed 30 deg.

(22) 822.2 Fillet Welds

Minimum dimensions for fillet welds used in the attachment of slip-on flanges and for socket welded joints are shown in [Mandatory Appendix I, Figure I-7](#). Similar minimum dimensions for fillet welds used in branch connections are shown in [Mandatory Appendix I, Figures I-1 and I-2](#).

822.3 Seal Welds

Seal welding shall be done by qualified welders. Seal welding of threaded joints is permitted, but the seal welds shall not be considered as contributing to the strength of joints.

823 QUALIFICATION OF PROCEDURES AND WELDERS

823.1 Requirements for Qualifying Welders on Piping Systems Operating at Hoop Stresses of Less Than 20% of the Specified Minimum Yield Strength

Welders whose work is limited to piping operating at hoop stress levels of less than 20% of the specified minimum yield strength shall be qualified under any of the references given in [para. 823.2.1](#) or in accordance with [Mandatory Appendix G](#).

823.2 Requirements for Qualifying Procedures and Welders on Piping Systems Operating at Hoop Stresses of 20% or More of the Specified Minimum Yield Strength

823.2.1 Qualifying Standards. Welding procedures and welders performing work for new construction and out-of-service pipelines shall be qualified under the BPV Code, Section IX or API Std 1104. For in-service welding, welding procedures and welders shall be qualified under Appendix B of API Std 1104. Procedures qualified under Appendix B are suitable for weld deposition repair, provided the procedure is appropriate for the remaining wall thickness to which it is being applied.

823.2.2 Compressor Station Piping. When welders qualified under API Std 1104 are employed on compressor station piping, their qualification shall have been based on the destructive mechanical test requirements of API Std 1104.

823.2.3 Variables for the Separate Qualification of Welders. The references given in [para. 823.2.1](#) contain sections titled "Essential Variables" applicable to welder qualification. These shall be followed, except

that for purposes of this Code, all carbon steels that have a carbon content not exceeding 0.32% by heat analysis and a carbon equivalent ($C + \frac{1}{4}Mn$) not exceeding 0.65% by heat analysis are considered to come under material grouping P-No. 1. Alloy steels having weldability characteristics shown to be similar to these carbon steels shall be welded, preheated, and stress relieved as prescribed herein for such carbon steel. There may be significant differences in the base metal strength encompassed by these P-No. 1 materials, and although it is not an essential variable to welder qualification, it may require separate procedure qualification in accordance with [para. 823.2.1](#).

823.3 Welder Requalification Requirements

Welder requalification tests shall be required if there is some specific reason to question a welder's ability or if the welder is not engaged in a given process of welding for 6 months or more. All welders shall be requalified at least once each year.

823.4 Qualification Records

Records of the tests that establish the qualification of a welding procedure shall be maintained as long as that procedure is in use. The operating company or contractor shall, during the construction involved, maintain a record of the welders qualified, showing the dates and results of tests.

824 PREHEATING

824.1 Carbon Steels

Carbon steels having a carbon content in excess of 0.32% (ladle analysis) or a carbon equivalent ($C + \frac{1}{4}Mn$) in excess of 0.65% (ladle analysis) shall be preheated to the temperature indicated by the welding procedure. Preheating shall also be required for steels having lower carbon content or carbon equivalents when the welding procedure indicates that chemical composition, ambient and/or metal temperature, material thickness, or weld-end geometry require such treatment to produce satisfactory welds.

824.2 Dissimilar Materials

When welding dissimilar materials having different preheating requirements, the material requiring the higher preheat shall govern.

824.3 Suitable Methods

Preheating may be accomplished by any suitable method, provided that it is uniform and that the temperature does not fall below the prescribed minimum during the actual welding operations.

824.4 Temporary Monitoring

The preheating temperature shall be checked by the use of temperature-indicating crayons, thermocouple pyrometers, or other suitable methods to ensure that the required preheat temperature is obtained prior to and maintained during the welding operation.

825 STRESS RELIEVING

825.1 Carbon Steels

Welds in carbon steels having a carbon content in excess of 0.32% (ladle analysis) or a carbon equivalent ($C + \frac{1}{4}Mn$) in excess of 0.65% (ladle analysis) shall be stress relieved as prescribed in the BPV Code, Section VIII. Stress relieving may also be advisable for welds in steel having lower carbon content or carbon equivalent when adverse conditions cool the weld too rapidly.

825.2 Wall Thickness

Welds in all carbon steels shall be stress relieved when the nominal wall thickness exceeds $1\frac{1}{4}$ in. (32 mm), except the stress relieving requirements may be waived if it can be shown that a satisfactory weldment is produced without the use of postweld heat treatment. Such a demonstration shall be conducted on materials and under conditions that simulate, as closely as practical, the actual production welding as described in the welding procedure specification. Measurements shall be taken of the tensile strength, toughness, and hardness of the weldment. No stress relieving will be required if

(a) the measurements indicate that the metallurgical and mechanical properties are within the limits specified for the base materials and intended service, and

(b) an engineering analysis is conducted to ensure that the mechanical properties of the weldment and the residual stresses without postweld heat treatment are satisfactory for the intended service. In some cases, measurement of residual stresses may be required.

(22) 825.3 Different Wall Thicknesses

When the welded joint connects parts that are of different thicknesses but of similar materials, the thickness to be used in applying the rules in [paras. 825.1](#) and [825.2](#) shall be

(a) the thicker of the two parts being joined, measured at the weld joint

(b) the nominal thickness of the pipe run or header in case of branch connections, slip-on flanges, or socket weld fittings

825.4 Dissimilar Materials

If either material in welds between dissimilar materials requires stress relieving, the joint shall require stress relieving.

825.5 Connections and Attachments

All welding of connections and attachments shall be stress relieved when the pipe is required to be stress relieved by the rules of [para. 825.3](#), with the following exceptions:

(a) fillet welds not over $\frac{1}{2}$ in. (13 mm) leg size that attach connections not over NPS 2 (DN 50) pipe size

(b) groove welds not over $\frac{3}{8}$ in. (10 mm) groove size that attach supporting members or other nonpressure attachments

825.6 Stress Relieving Temperature

(22)

(a) Stress relieving shall be performed at a temperature of 1,100°F (593°C) or greater for carbon steels, and 1,200°F (649°C) or greater for ferritic alloy steels. The exact temperature range shall be stated in the procedure specification.

(b) When stress relieving takes place in a joint between dissimilar metals having different stress relieving requirements, the material requiring the higher stress relieving temperature shall govern.

(c) The parts heated shall be brought slowly to the required temperature and held at that temperature for a period of time proportioned on the basis of at least 1 hr/in. (1 h/25 mm) of pipe nominal wall thickness, but in no case less than $\frac{1}{2}$ hr, and shall be allowed to cool slowly and uniformly.

825.7 Methods of Stress Relieving

(a) Heat the complete structure as a unit.

(b) Heat a complete section containing the weld or welds to be stress relieved before attachment to other sections of work.

(c) Heat a part of the work by slowly heating a circumferential band containing the weld at the center. The width of the band that is heated to the required temperature shall be at least 2 in. (51 mm) greater than the width of the weld reinforcement. Care should be taken to obtain a uniform temperature around the entire circumference of the pipe. The temperature shall diminish gradually outward from the edges of this band.

(d) Branches or other welded attachments for which stress relief is required may be locally stress relieved by heating a circumferential band around the pipe on which the branch or attachment is welded with the attachment at the middle of the band. The width of the band shall be at least 2 in. (51 mm) greater than the diameter of the weld joining the branch or attachment to the header. The entire band shall be brought up to the required temperature and held for the time specified.

825.8 Equipment for Local Stress Relieving

(a) Stress relieving may be accomplished by electric induction, electric resistance, fuel-fired ring burners, fuel-fired torches, or other suitable means of heating, provided that a uniform temperature is obtained and maintained during the stress relieving.

(b) The stress relieving temperature shall be checked by the use of thermocouple pyrometers or other suitable equipment to ensure that the proper stress relieving cycle has been accomplished.

(22) 826 WELD EXAMINATION REQUIREMENTS

826.1 Visual Examination

Visual examination of welds must be conducted by a person qualified by appropriate training and experience.

826.2 Examination of Welds on Piping Systems Intended to Operate at Hoop Stress Levels of Less Than 20% of the Specified Minimum Yield Strength

The quality of welds shall be checked visually on a sampling basis, and defective welds shall be repaired or removed from the line.

826.3 Examination for Quality Control of Welds on Piping Systems Intended to Operate at Hoop Stress Levels of 20% or More of the Specified Minimum Yield Strength

(a) Each weld shall be visually examined.

(b) In addition, a certain percentage of the welds shall be examined through radiographic, ultrasonic, magnetic-particle, or other comparable and acceptable methods of nondestructive examination. The trepanning method is prohibited.

The following minimum number of field butt welds shall be selected on a random basis by the operating company from each day's construction for examination. Each weld so selected shall be examined over its entire circumference or else the equivalent length of welds shall be exam-

ined if the operating company chooses to examine only a part of the circumference of each. The same minimum percentages shall be examined for double ending at rail-head or yard.

(1) 10% of welds in Location Class 1.

(2) 15% of welds in Location Class 2.

(3) 40% of welds in Location Class 3.

(4) 75% of welds in Location Class 4.

(5) 100% of the welds in compressor stations and at major or navigable river crossings, major highway crossings, and railroad crossings, if practical, but in no case less than 90%. All tie-in welds not subjected to a pressure proof test shall be examined.

(c) All welds that are examined must either meet the standards of acceptability of API Std 1104 or be appropriately repaired and re-examined. The results of the examination shall be used to control the quality of welds.

(d) When radiographic, ultrasonic, or magnetic particle examination is used, a procedure meeting the requirements of API Std 1104 shall be followed.

(e) When pipe size is less than NPS 6 (DN 150), or when the construction project involves such a limited number of welds that nondestructive examination would be impractical, and the pipe is intended to operate at hoop stress levels of 40% or less of the specified minimum yield strength, then provisions (b) and (c) are not mandatory, provided the welds are examined visually and approved by a qualified welding inspector.

(f) In addition to the nondestructive examination requirements outlined in (a) through (e), the quality of welds shall be continually controlled by qualified personnel.

827 REPAIR OR REMOVAL OF DEFECTIVE WELDS IN PIPING INTENDED TO OPERATE AT HOOP STRESS LEVELS OF 20% OR MORE OF THE SPECIFIED MINIMUM YIELD STRENGTH

Defective welds shall be repaired or removed. If a repair is made, it shall be in accordance with API Std 1104. Welders performing repairs shall be qualified in accordance with [para. 823.2](#).

Chapter III

Piping System Components and Fabrication Details

830 GENERAL

(a) The purpose of this Chapter is to provide a set of standards for piping systems covering

(1) specifications for and selection of all items and accessories that are a part of the piping system, other than the pipe itself

(2) acceptable methods of making branch connections

(3) provisions to care for the effects of temperature changes

(4) approved methods for support and anchorage of exposed and buried piping systems

(b) This Chapter does not include

(1) pipe materials (see [Chapter I](#))

(2) welding procedures (see [Chapter II](#))

(3) design of pipe (see [Chapter IV](#))

(4) installation and testing of piping systems (see [Chapter IV](#))

(5) special conditions for offshore application (see [Chapter VIII](#))

(6) special conditions for sour gas application (see [Chapter IX](#))

831 PIPING SYSTEM COMPONENTS

All components of piping systems, including valves, flanges, fittings, headers, special assemblies, etc., shall be designed in accordance with the applicable requirements of this section and recognized engineering practices to withstand operating pressures and other specified loadings.

Components shall be selected that can withstand the design, operating, and test conditions of the system in which the component is to be used without failure or leakage and without impairment of their serviceability.

831.1 Valves and Pressure-Reducing Devices

(22) **831.1.1 Valves.** Valves shall conform to standards and specifications referenced in this Code and shall be used only in accordance with the service recommendations of the manufacturer.

(a) Valves manufactured in accordance with the following standards may be used:

API Spec 6A	Specification for Wellhead and Tree Equipment
API Spec 6D	Specification for Pipeline Valves
API Std 526	Flanged Steel Pressure-relief Valves
API Std 599	Metal Plug Valves — Flanged, Threaded, and Welding Ends
API Std 600	Steel Gate Valves — Flanged and Butt-welding Ends, Bolted Bonnets
API Std 602	Gate, Globe, and Check Valves for Sizes DN 100 (NPS 4) and Smaller for the Petroleum and Natural Gas Industries
API Std 603	Corrosion-resistant, Bolted Bonnet Gate Valves — Flanged and Butt-welding Ends
API Std 608	Metal Ball Valves — Flanged, Threaded, and Welding Ends
ASME B16.33	Manually Operated Metallic Gas Valves for Use in Gas Piping Systems up to 175 psi (Sizes NPS ½ Through NPS 2)
ASME B16.34	Valves — Flanged, Threaded, and Welding End
ASME B16.38	Large Metallic Valves for Gas Distribution: Manually Operated, NPS 2½ (DN 65) to NPS 12 (DN 300), 125 psig (8.6 bar) Maximum
ASME B16.40	Manually Operated Thermoplastic Gas Shutoffs and Valves in Gas Distribution Systems
MSS SP-70	Gray Iron Gate Valves, Flanged and Threaded Ends
MSS SP-71	Gray Iron Swing Check Valves, Flanged and Threaded Ends
MSS SP-78	Gray Iron Plug Valves, Flanged and Threaded Ends
MSS SP-80	Bronze Gate, Globe, Angle, and Check Valves
MSS SP-85	Gray Iron Globe and Angle Valves, Flanged and Threaded Ends

(b) Valves having shell (body, bonnet, cover, and/or end flange) components made of cast ductile iron in compliance with ASTM A395 and having dimensions conforming to ASME B16.1, ASME B16.33, ASME B16.34, ASME B16.38, ASME B16.40, or API Spec 6D may be used at pressures not exceeding 80% of the pressure ratings for comparable steel valves at their listed temperature, provided the pressure does not exceed 1,000 psig (6 900 kPa), and welding is not employed on any ductile iron component in the fabrication of the valve shells or their assembly as part of the piping system.

(c) Valves having shell components made of cast iron shall not be used in gas piping components for compressor stations.

(22) **831.1.2 Requirements for End Connection Threads for Threaded Valves.** Threaded valves shall be threaded according to ASME B1.20.1, API Spec 5L, or API Spec 6A.

831.1.3 Pressure-Reducing Devices. Pressure-reducing devices shall conform to the requirements of this Code for valves in comparable service conditions.

831.1.4 Service Lines: Excess Flow Valve Performance Standards. Excess flow valves shall be manufactured and tested by the manufacturer in accordance with ASTM F1802, ASTM F2138, MSS SP-115, or the manufacturer's written specification.

831.2 Flanges

(22) **831.2.1 Flange Types and Facings**

(a) The dimensions and drilling for all line or end flanges shall conform to one of the following standards:

ASME B16.1	Gray Iron Pipe Flanges and Flanged Fittings: Classes 25, 125, and 250
ASME B16.5	Pipe Flanges and Flanged Fittings: NPS 1/2 Through NPS 24 Metric/Inch Standard
ASME B16.24	Cast Copper Alloy Pipe Flanges, Flanged Fittings, and Valves: Classes 150, 300, 600, 900, 1500, and 2500
ASME B16.42	Ductile Iron Pipe Flanges and Flanged Fittings: Classes 150 and 300
ASME B16.47	Large Diameter Steel Flanges: NPS 26 Through NPS 60 Metric/Inch Standard
ASME B31.8, Mandatory Appendix I, Table I-1	Lightweight Flanges
MSS SP-44	Steel Pipeline Flanges

Flanges cast or forged integral with pipe, fittings, or valves are permitted in sizes and the pressure classes covered by the standards listed above, subject to the facing, bolting, and gasketing requirements of this paragraph and [paras. 831.2.2 and 831.2.3](#).

(b) Threaded companion flanges that comply with the B16 group of ASME standards are permitted in sizes and pressure classes covered by these standards.

(c) Lapped flanges are permitted in sizes and pressure classes established in ASME B16.5.

(d) Slip-on welding flanges are permitted in sizes and pressure classes established in ASME B16.5. Slip-on flanges of rectangular section may be substituted for hubbed slip-on flanges, provided the thickness is increased as required to produce equivalent strength as determined by calculations made in accordance with the BPV Code, Section VIII.

(e) Welding neck flanges are permitted in sizes and pressure classes established in ASME B16.5, ASME B16.47, and MSS SP-44. The bore of the flange should correspond to the inside diameter of the pipe used. For permissible welding end treatment, see [Mandatory Appendix I, Figure I-5](#).

(f) Cast iron, ductile iron, and steel flanges shall have contact faces finished in accordance with MSS SP-6.

(g) Nonferrous flanges shall have contact faces finished in accordance with ASME B16.24.

(h) Class 25 and 125 cast iron integral or threaded companion flanges may be used with a full-face gasket or with a flat ring gasket extending to the inner edge of the bolt holes. When using a full-face gasket, the bolting may be of alloy steel (ASTM A193). When using a ring gasket, the bolting shall be of carbon steel, equivalent to ASTM A307 Grade B, without heat treatment other than stress relief.

(i) When bolting together two Class 250 integral or threaded companion cast iron flanges having 1/16 in. (1.6 mm) raised faces, the bolting shall be of carbon steel equivalent to ASTM A307 Grade B, without heat treatment other than stress relief.

(j) Class 150 steel flanges may be bolted to Class 125 cast iron flanges. When such construction is used, the 1/16 in. (1.6 mm) raised face on the steel flange shall be removed. When bolting such flanges together using a flat ring gasket extending to the inner edge of the bolt holes, the bolting shall be of carbon steel equivalent to ASTM A307 Grade B, without heat treatment other than stress relief. When bolting such flanges together using a full-face gasket, the bolting may be alloy steel (ASTM A193).

(k) Class 300 steel flanges may be bolted to Class 250 cast iron flanges. Where such construction is used, the bolting shall be of carbon steel, equivalent to ASTM A307 Grade B, without heat treatment other than stress relief. Good practice indicates that the raised face on the steel flange should be removed, but also in

this case, bolting shall be of carbon steel equivalent to ASTM A307 Grade B.

(l) Forged steel welding neck flanges having an outside diameter and drilling the same as that of ASME B16.1, but with modified flange thickness, hub dimensions, and special facing details, may be used to bolt against flat-faced cast iron flanges and may operate at the pressure-temperature ratings given in ASME B16.1 for Class 125 cast iron pipe flanges, provided

(1) the minimum flange thickness, T , is not less than that specified in [Mandatory Appendix I](#) for lightweight flanges

(2) flanges are used with nonmetallic full-face gaskets extending to the periphery of the flange

(3) the joint design has been proven by test to be suitable for the ratings

(m) Flanges made of ductile iron shall conform to the requirements of ASME B16.42. Bolting requirements for ductile iron flange joints shall be the same as those for carbon and low alloy steel flanges as specified in [para. 831.2.2](#).

831.2.2 Bolting

(a) For all flange joints, the bolts or stud bolts used shall extend completely through the nuts.

(b) For all flange joints other than those described in [paras. 831.2.1\(h\)](#) through [831.2.1\(k\)](#), the bolting shall be made of alloy steel conforming to ASTM A193, ASTM A320, or ASTM A354, or of heat treated carbon steel conforming to ASTM A449. Bolting, however, for ASME B16.5, Class 150 and 300 flanges at temperatures between -20°F and 400°F (-29°C and 204°C) may be made of ASTM A307 Grade B material.

(c) Alloy-steel bolting material conforming to ASTM A193 or ASTM A354 shall be used for insulating flanges if such bolting is made $\frac{1}{8}$ in. (3.2 mm) undersized.

(d) The materials used for nuts shall conform to ASTM A194 and ASTM A307. ASTM A307 nuts may be used only with ASTM A307 bolting.

(e) All carbon and alloy-steel bolts, stud bolts, and their nuts shall be threaded in accordance with the following thread series and dimension classes as required by ASME B1.1.

(1) *Carbon Steel*. All carbon-steel bolts and stud bolts shall have coarse threads having Class 2A dimensions, and their nuts shall have Class 2B dimensions.

(2) *Alloy Steel*. All alloy-steel bolts and stud bolts of 1 in. (25 mm) and smaller nominal diameter shall be of the coarse-thread series; nominal diameters $1\frac{1}{8}$ in. (29 mm) and larger shall be of the 8-thread series (8 threads per 25.4 mm). Bolts and stud bolts shall have a Class 2A dimension; their nuts shall have Class 2B dimension.

(f) Bolts shall have ASME Standards regular square heads or heavy hexagonal heads and shall have ASME Standards heavy hexagonal nuts conforming to the dimensions of ASME B18.2.1 and ASME B18.2.2.

(g) Nuts cut from bar stock in such a manner that the axis will be parallel to the direction of rolling of the bar may be used in all sizes for joints in which one or both flanges are cast iron and for joints with steel flanges where the pressure does not exceed 250 psig (1 720 kPa). Such nuts shall not be used for joints in which both flanges are steel and the pressure exceeds 250 psig (1 720 kPa), except that for nut sizes $\frac{1}{2}$ in. (12.7 mm) and smaller, these limitations do not apply.

831.2.3 Gaskets

(a) General

(1) Gasket materials shall be capable of maintaining their serviceability once installed and exposed to the gases and fluids contained in the piping system.

(2) ASME B16.20 and ASME B16.21 are standards that provide guidance for applicable gaskets and materials.

(b) Pressure

(1) Gaskets shall be made of materials suitable for the design and test pressures of the systems in which they are installed.

(2) Metallic gaskets other than ring-type or spirally wound metal gaskets shall not be used with ASME Class 150 or lighter flanges. Metallic gaskets shall not be used for flanges lighter than Class 150, or when ASTM A307 Grade B bolts or equivalent are used.

(c) Temperature

(1) Gasket materials shall be capable of maintaining their desired mechanical and chemical properties for the full range of temperatures to which they will be exposed.

(2) Consideration should be given to the use of fire-safe materials to withstand emergency conditions.

(d) Types

(1) The use of metal or metal-jacketed gaskets (either plain or corrugated) is not pressure limited, except as noted in [\(b\)\(2\)](#), provided that the gasket material is suitable for the service temperature. These types of gaskets are recommended for use with the small male and female or the small tongue-and-groove facings. They may also be used with steel flanges with lapped, large male and female, large tongue-and-groove, or raised-face facings.

(2) Full-face gaskets should be used with all bronze (or copper alloy) flanges and with Class 25 and Class 125 cast iron flanges. Flat ring gaskets with an outside diameter extending to the inside of the bolt holes may be used with cast iron flanges, with raised-face steel flanges, or with lapped steel flanges, provided that the bolting requirements of ASME B16.5, [para. 5.3.5](#) are followed.

(3) For steel flanges to secure higher unit compression on the gasket, metallic gaskets of a width less than the full male face of the flange may be used with raised face, lapped, or large male and female facings. The width of the gasket for small male and female or for tongue-and-groove joints shall be equal to the width of the male face or tongue.

(4) Rings for ring joints shall be of dimensions established in ASME B16.20. The material for these rings shall be suitable for the service conditions encountered and shall be softer than the flanges.

(5) *Special Gaskets.* Special gaskets, including insulating gaskets, may be used, provided they are suitable for the temperatures, pressures, gas composition, fluids, and other conditions to which they may be subjected.

- (22) **831.2.4 Flange Assembly.** A flanged joint assembly is composed of separate and independent, although interrelated, components: the flanges, gasket, and bolting, which are assembled by another influence, the assembler. Proper controls must be exercised in the selection and application for all these elements to attain a joint that has acceptable leak tightness. Special techniques, such as controlled bolt tightening, are described in ASME PCC-1. Where integrated components such as insulating kits, spacers, regulators, or other intrinsic elements are used with flanges or between flanges, the user shall follow the installation recommendations of the manufacturer to effect the desired seal.

831.3 Fittings Other Than Valves and Flanges

(22) **831.3.1 Standard Fittings**

(a) The minimum metal thickness of flanged or threaded fittings shall not be less than specified for the pressures and temperatures in the applicable ASME standards or the MSS standard practice.

(b) Steel butt welding fittings shall comply with either ASME B16.9 or MSS SP-75 and shall have pressure and temperature ratings based on stresses for pipe of the same or equivalent material. For adequacy of fitting design, the actual bursting strength of fittings shall at least equal the computed bursting strength of pipe of the designated material and wall thickness. Mill hydrostatic testing of factory-made steel butt welding fittings is not required, but all such fittings shall be capable of withstanding a field test pressure equal to the test pressure established by the manufacturer, without failure or leakage, and without impairment of their serviceability. Elbows intended for segmentation in the field shall also comply with [para. 841.2.3\(d\)](#) and either ASME B16.9, para. 6.2.4 or MSS SP-75, para. 13.5.

(c) Factory-made wrought steel butt welding induction bends or hot bends shall comply with ASME B16.49. Bends required to be suitable for segmentation shall also comply with Supplemental Requirement SR15.3 in ASME B16.49 and [para. 841.2.3\(d\)](#).

(d) Steel socket-welding fittings shall comply with ASME B16.11.

(e) Ductile iron flanged fittings shall comply with the requirements of ASME B16.42 or ANSI A21.14.

(f) Thermoplastic fittings shall comply with ASTM D2513 or ASTM F2945.

(g) Reinforced thermosetting plastic fittings shall comply with ASTM D2517.

831.3.2 Special Fittings. When special cast, forged, wrought, or welded fittings are required to dimensions differing from those of regular shapes specified in the applicable ASME and MSS standards, the provisions of [para. 831.3.6](#) shall apply.

831.3.3 Branch Connections

(a) Welded branch connections on steel pipe must meet the design requirements of [paras. 831.4](#) and [831.5](#).

(b) Threaded taps in cast iron pipe for branch connections are permitted without reinforcement to a size not more than 25% of the nominal diameter of the pipe; however, where climate service conditions or soil conditions create abnormal or unusual external loadings on cast iron pipe, unreinforced threaded taps for branch connections are permitted only on cast iron pipe NPS 8 (DN 200) and larger in diameter, provided that the tap size is no greater than 25% of the nominal pipe diameter.

(c) Existing threaded taps in cast iron pipe may be used for replacement branch connections when careful inspection shows there are no cracks or other deterioration in the main immediately surrounding the opening.

(d) Threaded taps in ductile iron pipe are permitted without reinforcement to a size not more than 25% of the nominal diameter of the pipe, except that NPS 1 $\frac{1}{4}$ in. (DN 32) taps are permitted in NPS 4 (DN 100) pipe having a nominal wall thickness of not less than 0.380 in. (9.65 mm).

(e) Mechanical fittings may be used for making hot taps on pipelines and mains, provided they are designed for the operating conditions of the pipeline or main and are suitable for that purpose.

831.3.4 Openings for Gas Control Equipment in Cast Iron Pipe. Threaded taps used for gas control equipment in cast iron pipe (i.e., bagging off a section of main) are permitted without reinforcement to a size not more than 25% of the nominal diameter of the pipe, except that NPS 1 $\frac{1}{4}$ in. (DN 32) taps are permitted in NPS 4 (DN 100) pipe. Taps larger than those permitted herein shall use a reinforcing sleeve.

831.3.5 Special Components Fabricated by Welding

(a) This section covers piping system components other than assemblies consisting of pipe and fittings joined by circumferential welds.

(b) All welding shall be performed using procedures and operators that are qualified in accordance with the requirements of [section 823](#).

(c) Branch connections shall meet the design requirements of [paras. 831.4](#), [831.5](#), and [831.6](#).

(d) Prefabricated units, other than regularly manufactured butt welding fittings, that employ plate and longitudinal seams as contrasted with pipe that has been

produced and tested under one of the specifications listed in this Code, shall be designed, constructed, and tested under requirements of the BPV Code. BPV Code requirements are not intended to apply to such partial assemblies as split rings or collars or to other field welded details.

(e) Every prefabricated unit produced under this section of the Code shall successfully withstand a pressure test without failure, leakage, distress, or distortion other than elastic distortion at a pressure equal to the test pressure of the system in which it is installed, either before installation or during the system test. When such units are to be installed in existing systems, they shall be pressure tested before installation, if feasible; otherwise, they shall withstand a leak test at the operating pressure of the line.

831.3.6 Pressure Design of Other Pressure-Containing Components. Pressure-containing components that are not covered by the standards listed in [Mandatory Appendix A](#) and for which design equations or procedures are not given herein may be used where the design of similarly shaped, proportioned, and sized components has been proven satisfactory by successful performance under comparable service conditions. (Interpolation may be made between similarly shaped components with small differences in size or proportion.) In the absence of such service experience, the pressure design shall be based on an analysis consistent with the general design philosophy embodied in this Code and substantiated by at least one of the following:

(a) proof tests, as described in the BPV Code, Section VIII, Division 1, UG-101

(b) experimental stress analysis, as described in the BPV Code, Section VIII, Division 2, Annex 5.F

(c) engineering calculations

(22) **831.3.7 Closures**

(a) *Quick Opening Closures.* A quick opening closure is a pressure-containing component (see [para. 831.3.6](#)) used for repeated access to the interior of a piping system. It is not the intent of this Code to impose the requirements of a specific design method on the designer or manufacturer of a quick opening closure.

Quick opening closures shall have pressure and temperature ratings equal to or in excess of the design requirements of the piping system to which they are attached.

Quick opening closures shall be equipped with safety locking devices in compliance with the BPV Code, Section VIII, Division 1, UG-35.2.

Weld end preparation shall be in accordance with [Mandatory Appendix I, Figure I-4](#).

(b) *Closure Fittings.* Closure fittings commonly referred to as “weld caps” shall be designed and manufactured in accordance with ASME B16.9 or MSS SP-75. [See [para. 831.3.1\(b\)](#).]

(c) *Closure Heads.* Closure heads such as flat, ellipsoidal [other than in [\(b\)](#)], spherical, or conical heads are allowed for use under this Code. Such items may be designed in accordance with the BPV Code, Section VIII, Division 1. For closure heads not designed to the BPV Code, Section VIII, Division 1, the maximum allowable stresses for materials used in these closure heads shall be established under the provisions of [section 841](#) and shall not exceed a hoop stress level of 60% SMYS.

If welds are used in the fabrication of these heads, they shall be examined in accordance with the provisions of the BPV Code, Section VIII, Division 1.

Closure heads shall have pressure and temperature ratings equal to or in excess of the design requirement of the piping system to which they are attached.

(d) *Fabricated Closures.* Orange-peel bull plugs and orange-peel swages are prohibited on systems operating at hoop stress levels of 20% or more of the specified minimum yield strength of the pipe material. Fish tails and flat closures are permitted on pipe NPS 3 (DN 75) and smaller operating at less than 100 psi (690 kPa). Fish tails on pipe larger than NPS 3 (DN 75) are prohibited. Flat closures on pipe larger than NPS 3 shall be designed according to the BPV Code, Section VIII, Division 1. [See [\(c\)](#).]

(e) *Bolted Blind Flange Connections.* Bolted blind flange connections shall conform to [para. 831.2](#).

831.4 Reinforcement of Welded Branch Connections

831.4.1 General Requirements. All welded branch connections shall meet the following requirements: (22)

(a) When branch connections are made to pipe in the form of a single connection or in a header or manifold as a series of connections, the design must be adequate to control the stress levels in the pipe within safe limits. The construction shall accommodate the stresses in the remaining pipe wall due to the opening in the pipe or header, the shear stresses produced by the pressure acting on the area of the branch opening, and any external loadings due to thermal movement, weight, vibration, etc. The following paragraphs provide design rules for the usual combinations of the above loads, except for excessive external loads.

(b) The reinforcement required in the crotch section of a welded branch connection shall be determined by the rule that the metal area available for reinforcement shall be equal to or greater than the required area as defined in this paragraph as well as in [Figure F-5](#).

(c) The required cross-sectional area, A_R , is defined as the product of d times t :

$$A_R = dt$$

where

- d = the greater of the length of the finished opening in the header wall measured parallel to the axis of the run or the inside diameter of the branch connection
- t = the header nominal wall thickness required by [para. 841.1.1](#) for the design pressure and temperature

When the pipe nominal wall thickness includes an allowance for corrosion or erosion, all dimensions used shall result after the anticipated corrosion or erosion has taken place.

(d) The area available for reinforcement shall be the sum of

(1) the cross-sectional area that results from any excess thickness available in the header thickness over the minimum required for the header as defined in (c) and that lies within the reinforcement area as defined in (e)

(2) the cross-sectional area that results from any excess thickness available in the branch wall thickness over the minimum thickness required for the branch and that lies within the reinforcement area as defined in (e)

(3) the cross-sectional area of all added reinforcing metal that lies within the reinforcement area, as defined in (e), including that of solid weld metal that is conventionally attached to the header and/or branch

(e) The area of reinforcement, shown in [Mandatory Appendix I, Figure F-5](#), is defined as a rectangle whose length shall extend a distance, d , on each side of the transverse centerline of the finished opening and whose width shall extend a distance of $2\frac{1}{2}$ times the header nominal wall thickness on each side of the surface of the header wall. In no case, however, shall it extend more than $2\frac{1}{2}$ times the nominal wall thickness of the branch pipe from the outside surface of the header or of the reinforcement, if any.

(f) The material of any added reinforcement shall have an allowable working stress at least equal to that of the header wall, except that material of lower allowable stress may be used if the area is increased in direct ratio of the allowable stress for header and reinforcement material, respectively.

(g) The material used for ring or saddle reinforcement may be of specifications differing from those of the pipe, provided the cross-sectional area is made in direct proportion to the relative strength of the pipe and reinforcement materials at the operating temperatures, and provided it has welding qualities comparable to those of the pipe. No credit shall be taken for the additional strength of material having a higher strength than that of the part to be reinforced.

(h) When rings or saddles cover the weld between branch and header, a vent hole shall be provided in the ring or saddle to reveal leakage in the weld between branch and header and to provide venting during welding and heat treating operations. Vent holes should be plugged during service to prevent crevice corrosion between pipe and reinforcing member, but no plugging material that would be capable of sustaining pressure within the crevice should be used.

(i) The use of ribs or gussets shall not be considered as contributing to reinforcement of the branch connection. This does not prohibit the use of ribs or gussets for purposes other than reinforcement, such as stiffening.

(j) The branch shall be attached by a weld for the full thickness of the branch or header wall plus a fillet weld, W_1 , as shown in [Mandatory Appendix I, Figures I-1 and I-2](#). The use of concave fillet welds is preferred to further minimize corner stress concentration. Ring or saddle reinforcement shall be attached as shown by [Mandatory Appendix I, Figure I-2](#). When a full fillet is not used, it is recommended that the edge of the reinforcement be relieved or chamfered at approximately 45 deg to merge with the edge of the fillet.

(k) Reinforcement rings and saddles shall be accurately fitted to the parts to which they are attached. [Mandatory Appendix I, Figures I-2 and I-3](#) illustrate some acceptable forms of reinforcement.

(l) Branch connections attached at an angle less than 85 deg to the run become progressively weaker as the angle decreases. Any such design must be given individual study, and sufficient reinforcement must be provided to compensate for the inherent weakness of such construction. The use of encircling ribs to support the flat or re-entering surfaces is permissible and may be included in the strength calculations. The designer is cautioned that stress concentrations near the ends of partial ribs, straps, or gussets may defeat their reinforcing value.

831.4.2 Special Requirements. In addition to the requirements of [para. 831.4.1](#), branch connections must meet the special requirements of the following paragraphs as given in [Table 831.4.2-1](#): (22)

(a) Smoothly contoured wrought steel tees of proven design are preferred. When tees cannot be used, the reinforcing member shall extend around the circumference of the header. Pads, partial saddles, or other types of localized reinforcement are prohibited.

(b) Smoothly contoured tees of proven design are preferred. When tees are not used, the reinforcing member should be of the complete encirclement type, but may be of the pad type, saddle type, or a welding outlet fitting type.

(c) The reinforcement member may be of the complete encirclement type, pad type, saddle type, or welding outlet fitting type. The edges of reinforcement members should be tapered to the header thickness. It is recommended that

Table 831.4.2-1
Reinforcement of Welded Branch Connections, Special Requirements

Ratio of Design Hoop Stress to Minimum Specified Yield Strength in the Header	Ratio of Nominal Branch Diameter to Nominal Header Diameter		
	25% or Less	More Than 25% Through 50%	More Than 50%
20% or less	See paras. 831.4.2(g) and 831.4.2(j)	See paras. 831.4.2(g) and 831.4.2(j)	See paras. 831.4.2(h) and 831.4.2(j)
More than 20% through 50%	See paras. 831.4.2(d), 831.4.2(i), and 831.4.2(j)	See paras. 831.4.2(i) and 831.4.2(j)	See paras. 831.4.2(h), 831.4.2(i), and 831.4.2(j)
More than 50%	See paras. 831.4.2(c), 831.4.2(d), 831.4.2(e), and 831.4.2(j)	See paras. 831.4.2(b), 831.4.2(e), and 831.4.2(j)	See paras. 831.4.2(a), 831.4.2(e), 831.4.2(f), and 831.4.2(j)

legs of fillet welds joining the reinforcing member and header do not exceed the thickness of the header.

(d) Reinforcement calculations are not required for branch openings NPS 2 (DN 50) and smaller in diameter; however, care should be taken to provide suitable reinforcement to mitigate the effects of vibrations and other forces to which these small openings can be subjected.

(e) All welds joining the header, branch, and reinforcing member shall be equivalent to those shown in [Mandatory Appendix I, Figures I-1, I-2, and I-3](#).

(f) The inside edges of the finished opening shall, whenever possible, be rounded to a $\frac{3}{8}$ in. (3.2 mm) radius. If the encircling member is thicker than the header and is welded to the header, the ends shall be tapered down to the header thickness, and continuous fillet welds shall be made. In the case of hot tap or plugging fittings, use special requirement (j).

(g) Reinforcement of openings is not mandatory; however, reinforcement may be required for special cases involving pressures over 100 psig (690 kPa), thin wall pipe, or severe external loads.

(h) If a reinforcement member is required, and the branch diameter is such that a localized type of reinforcement member would extend around more than half the circumference of the header, then a complete encirclement type of reinforcement member shall be used, regardless of the design hoop stress, or a smoothly contoured wrought steel tee of proven design may be used.

(i) The reinforcement may be of any type meeting the requirements of [para. 831.4.1](#).

(j) For hot tap or plugging fittings of tee-type configurations (see [Mandatory Appendix I, Figure I-3.1](#)), where the reinforcing sleeve is pressurized and thicker than the header, and the application results in additional loading such as that from hot tapping and plugging equipment, the following requirements apply:

(1) The minimum leg dimension of the fillet weld at the ends of the sleeve shall be $1.0t$ plus the gap observed or measured between the inside of the fitting and the outside of the pipe on installation, where t is the actual wall thick-

ness of the pipe. This will result in a minimum effective weld throat of $0.7t$.

(2) The maximum leg dimension of the end fillet welds shall be $1.4t$ plus the gap observed or measured between the inside of the fitting and the outside of the pipe on installation, resulting in an effective weld throat not to exceed $1.0t$.

(3) If necessary, the fittings shall be tapered, beveled, or chamfered at their ends to a minimum approximate angle of 45 deg (with respect to the end face). Tapering, beveling, or chamfering should provide at least a nominal face to accommodate the fillet weld, but the face dimension should not exceed 1.4 times the calculated thickness required to meet the maximum hoop stress of the pressurized sleeve. The leg of the fillet deposited on the end face need not be carried out fully to the shoulder of the face if doing so would result in an oversized fillet weld.

(4) Because each installation may be unique, the taper or chamfer shall be the responsibility of the user or otherwise by agreement between user and manufacturer.

(k) MSS SP-97 fittings may be used up to one-half the size of the run pipe provided the following requirements are met:

(1) The branch outlet fitting design by either calculation or proof testing shall meet MSS SP-97 requirements and fully reinforce the hole cut into the pipe.

(2) The material of the fitting shall be equal to or greater in strength than the run pipe to which it will be welded. If the properties of the fitting do not match that of the pipe, additional reinforcement to compensate for the lower strength shall be added proportionally.

(3) Fittings shall be fitted and installed using a full penetration weld with guidance from the manufacturer on weld contour.

(4) The outlet connection can be socket welded, threaded, or butt welded. The connecting branch pipe can be any thickness provided it meets the design wall requirements for the service. Outlet sizes greater than one-half can be considered if additional engineering assessment is made.

831.5 Reinforcement of Multiple Openings

(a) When two or more adjacent branches are spaced at less than 2 times their average diameter (so that their effective areas of reinforcement overlap), the group of openings shall be reinforced in accordance with para. 831.4. The reinforcing metal shall be added as a combined reinforcement, the strength of which shall equal the combined strengths of the reinforcements that would be required for the separate openings. In no case shall any portion of a cross section be considered to apply to more than one opening or be evaluated more than once in a combined area.

(b) When more than two adjacent openings are to be provided with a combined reinforcement, the minimum distance between centers of any two of these openings shall preferably be at least $1\frac{1}{2}$ times their average diameter, and the area of reinforcement between them shall be at least equal to 50% of the total required for these two openings on the cross section being considered.

(c) When the distance between centers of two adjacent openings is less than $1\frac{1}{3}$ times their average diameter, as considered under (b), no credit for reinforcement shall be given for any of the metal between these two openings.

(d) Any number of closely spaced adjacent openings in any arrangement may be reinforced as if the group were treated as one assumed opening of a diameter enclosing all such openings.

831.6 Extruded Outlets

(a) The rules in this paragraph apply to steel extruded outlets in which the reinforcement is integral.

An extruded outlet is defined as an outlet in which the extruded lip at the outlet has a height above the surface of the run that is equal to or greater than the radius of curvature of the external contoured portion of the outlet. (See [Mandatory Appendix I, Figures F-1 through F-4](#) and nomenclature.)

(b) These rules do not apply to any nozzles or branch connections in which additional nonintegral material is applied in the form of rings, pads, or saddles.

(c) These rules apply only to cases where the axis of the outlet intersects and is perpendicular to the axis of the run.

(d) [Mandatory Appendix I, Figures F-1 through F-4](#) define the pertinent dimensions and limiting conditions.

(e) *Required Area.* The required area is defined as

$$A = Kt_r D_o$$

where

$$\begin{aligned} K &= 1.00 \text{ when } d/D > 0.60 \\ &= 0.6 + \frac{2}{3} d/D \text{ when } 0.15 < d/D \leq 0.60 \\ &= 0.70 \text{ when } d/D \leq 0.15 \end{aligned}$$

The design must meet the criterion that the reinforcement area defined in (f) is not less than the required area.

(f) *Reinforcement Area.* The reinforcement area shall be the sum of areas $A_1 + A_2 + A_3$ as defined as follows:

(1) Area A_1 is the area lying within the reinforcement zone resulting from any excess thickness available in the run wall, i.e.,

$$A_1 = D_o(T_r - t_r)$$

(2) Area A_2 is the area lying within the reinforcement zone resulting from any excess thickness available in the branch pipe wall, i.e.,

$$A_2 = 2L(T_b - t_b)$$

(3) Area A_3 is the area lying within the reinforcement zone resulting from excess thickness available in the extruded outlet lip, i.e.,

$$A_3 = 2r_o(T_o - t_b)$$

(g) *Reinforcement of Multiple Openings.* The rules in para. 831.5 shall be followed, except that the required area and reinforcement area shall be as given in this paragraph.

(h) In addition to the above, the manufacturer shall be responsible for establishing and marking on the section containing extruded outlets the following: the design pressure and temperature, and that these were established under provisions of this Code. The manufacturer's name or trademark shall be marked on the section.

832 EXPANSION AND FLEXIBILITY

832.1 Application

[Section 832](#) is applicable to piping meeting the definition of unrestrained piping in [para. 833.1\(c\)](#).

832.2 Amount of Expansion or Contraction

The thermal expansion and contraction of the more common carbon and low alloy steels may be calculated using 6.5×10^{-6} in./in./°F (1.17×10^{-5} cm/cm/°C) as the coefficient of thermal expansion. The expansion or contraction to be considered is the difference between the maximum or minimum design temperatures and the expected average installation temperature. For more precise thermal expansion coefficients for specific materials, refer to authoritative source data, such as publications of the National Institute of Standards and Technology. A table containing approximate amounts of expansion or contraction per unit length for selected temperatures is provided in [Table 832.2-1](#).

832.3 Flexibility Requirements

(a) Piping systems shall be designed to have sufficient flexibility to prevent thermal expansion or contraction from causing excessive stresses in the piping material, excessive bending or unusual loads at joints, or

Table 832.2-1
Thermal Expansion or Contraction of Piping Materials —
Carbon and Low Alloy
High Tensile Steel and Wrought Iron

Temperature, °F (°C)	Approximate Expansion or Contraction, in./100 ft (mm/m) Above or Below 32°F (0°C)
-125 (-87)	1.2 (1.0)
-100 (-74)	1.0 (0.8)
-75 (-60)	0.8 (0.7)
-50 (-45)	0.6 (0.5)
0 (-18)	0.2 (0.2)
32 (0)	0.0 (0.0)
60 (16)	0.2 (0.2)
100 (38)	0.5 (0.4)
125 (52)	0.7 (0.6)
150 (66)	0.9 (0.8)
175 (79)	1.1 (0.9)
200 (93)	1.3 (1.1)
225 (107)	1.5 (1.3)
250 (121)	1.7 (1.4)
300 (149)	2.2 (1.8)
350 (177)	2.6 (2.2)
400 (204)	3.0 (2.5)
450 (232)	3.5 (2.9)

undesirable forces or moments at points of connection to equipment or at anchorage or guide points. Formal calculations shall be performed where reasonable doubt exists as to the adequate flexibility of the system. See [para. 833.7](#) for further guidance.

(b) Flexibility shall be provided by the use of bends, loops, or offsets, or provision shall be made to absorb thermal changes by the use of expansion joints or couplings of the lip joints type or expansion joints of the bellows type. If expansion joints are used, anchors or ties of sufficient strength and rigidity shall be installed to provide for end forces due to fluid pressure and other causes.

(c) In calculating the flexibility of a piping system, the system shall be treated as a whole. The significance of all parts of the line and all restraints, such as rigid supports or guides, shall be considered.

(d) Calculations shall take into account stress intensification factors found to exist in components other than plain straight pipe. Credit may be taken for the extra flexibility of such components. The flexibility factors and stress intensification factors shown in [Mandatory Appendix E, Table E-1](#) may be used.

(e) Properties of pipe and fittings for these calculations shall be based on nominal dimensions, and the longitudinal weld joint quality factor E shall be taken as 1.00.

(f) The total range in temperature from minimum design temperature to the maximum design temperature shall be considered in all expansion stress calculations, whether piping is cold sprung or not. Should installation, start-up, or shutdown temperatures be outside of the design temperature range, the maximum possible temperature range shall be considered. In addition to the expansion of the line itself, the linear and angular movements of the equipment to which it is attached shall be considered.

(g) Flexibility calculations shall be based on the modulus of elasticity corresponding to the lowest temperature of the operational cycle.

(h) To modify the effect of expansion and contraction, runs of pipe may be cold sprung. Cold spring may be taken into account in the calculations of the reactions, provided an effective method of obtaining the designed cold spring is specified and used.

832.4 Reactions

(a) Reaction forces and moments to be used in the design of restraints and supports for a piping system, and in evaluating the effects of piping displacements on connected equipment shall consider the full range of thermal displacement conditions plus weight and external loads. Cold spring may be useful for maintaining reactions within acceptable limits.

(b) The reactions for thermal displacements shall be calculated using the elastic modulus corresponding to the lowest temperature of an operational cycle.

(c) Consideration shall be given to the load-carrying capacity of attached rotating and pressure-containing equipment and the supporting structure.

832.5 Modulus of Elasticity

The modulus of elasticity for carbon and low alloy steel at various temperatures is given in [Table 832.5-1](#). Values between listed temperatures may be linearly interpolated.

Table 832.5-1
Modulus of Elasticity for Carbon
and Low Alloy Steel

Temperature, °F (°C)	Modulus of Elasticity, psi × 10 ⁶ (GPa)
-100 (-73)	30.2 (208)
70 (21)	29.5 (203)
200 (93)	28.8 (198)
300 (149)	28.3 (195)
400 (204)	27.7 (191)
500 (260)	27.3 (188)

833 DESIGN FOR LONGITUDINAL STRESS

833.1 Restraint

(a) The restraint condition is a factor in the structural behavior of the pipeline. The degree of restraint may be affected by aspects of pipeline construction, support design, soil properties, and terrain. [Section 833](#) is applicable to all steel piping within the scope of this Code. For purposes of design, this Code recognizes two axial restraint conditions, “restrained” and “unrestrained.” Guidance in categorizing the restraint condition follows:

(b) Piping in which soil or supports prevent axial displacement or flexure at bends is “restrained.” Restrained piping may include the following:

(1) straight sections of buried piping
(2) bends and adjacent piping buried in stiff or consolidate soil

(3) sections of aboveground piping on rigid supports

(c) Piping that is freed to displace axially or flex at bends is “unrestrained.” Unrestrained piping may include the following:

(1) aboveground piping that is configured to accommodate thermal expansion or anchor movements through flexibility

(2) bends and adjacent piping buried in soft or unconsolidated soil

(3) an unbackfilled section of otherwise buried pipeline that is sufficiently flexible to displace laterally or that contains a bend

(4) pipe subject to an end cap pressure force

833.2 Calculation of Longitudinal Stress Components

(a) The longitudinal stress due to internal pressure in restrained pipelines is

$$S_p = 0.3S_H$$

where S_H is the hoop stress, psi (MPa)

(b) The longitudinal stress due to internal pressure in unrestrained pipeline is

$$S_p = 0.5S_H$$

where S_H is the hoop stress, psi (MPa)

(c) The longitudinal stress due to thermal expansion in restrained pipe is

$$S_T = E\alpha(T_1 - T_2)$$

where

E = the elastic modulus, psi (MPa), at the ambient temperature

T_1 = the pipe temperature at the time of installation, tie-in, or burial, °F (°C)

T_2 = the warmest or coldest pipe operating temperature, °F (°C)

α = the coefficient of thermal expansion, 1/°F (1/°C)

If a section of pipe can operate either warmer or colder than the installed temperature, both conditions for T_2 may need to be examined.

(d) The nominal bending stress in straight pipe or large-radius bends due to weight or other external loads is

$$S_B = M/Z$$

where

M = the bending moment across the pipe cross section, lb-in. (N·m)

Z = the pipe section modulus, in.³ (cm³)

(e) The nominal bending stress in fittings and components due to weight or other external loads is

$$S_B = M_R/Z$$

where M_R is the resultant intensified moment across the fitting or component. The resultant moment shall be calculated as

$$M_R = [(0.75i_i M_i)^2 + (0.75i_o M_o)^2 + M_t^2]^{1/2}, \text{ lb-in. (N·m)}$$

where $0.75i_i \geq 1.0$ and

i_i = in-plane stress intensification factor from [Mandatory Appendix E](#)

i_o = out-of-plane stress intensification factor from [Mandatory Appendix E](#)

M_i = in-plane bending moment, lb-in. (N·m)

M_o = out-of-plane bending moment, lb-in. (N·m)

M_t = torsional moment, lb-in. (N·m)

(f) The stress due to axial loading other than thermal expansion and pressure is

$$S_X = R/A$$

where

A = pipe metal cross-sectional area, in.² (mm²)

R = external force axial component, lb (N)

833.3 Summation of Longitudinal Stress in Restrained Pipe

(a) The net longitudinal stresses in restrained pipe are

$$S_L = S_p + S_T + S_X + S_B$$

Note that S_B , S_L , S_T , or S_X can have negative values.

(b) The maximum permitted value of $|S_L|$ is $0.9ST$, where S is the specified minimum yield strength, psi (MPa), per [para. 841.1.1\(a\)](#), and T is the temperature derating factor per [para. 841.1.8](#).

(c) Residual stresses from construction are often present; for example, bending in buried pipelines where spanning or differential settlement occurs. These stresses are often difficult to evaluate accurately, but can be disregarded in most cases. It is the engineer's responsibility to determine whether such stresses should be evaluated.

833.4 Combined Stress for Restrained Pipe

(a) The combined biaxial stress state of the pipeline in the operating mode is evaluated using the calculation in either (1) or (2):

$$(1) \max. (|S_H - S_L|, |S_H|, |S_L|)$$

$$(2) (S_L^2 - S_L S_H + S_H^2)^{1/2}$$

The maximum permitted value for the combined biaxial stress is kST where S is the specified minimum yield strength, psi (MPa), per para. 841.1.1(a), T is the temperature derating factor per para. 841.1.8, and k is defined in (b) and (c).

(b) For loads of long duration, the value of k shall not exceed 0.90.

(c) For occasional nonperiodic loads of short duration, the value of k shall not exceed 1.0.

(d) S_L in (a) is calculated considering both the tensile and compressive values of S_B .

(e) Stresses induced by loads that do not occur simultaneously need not be considered to be additive.

(f) The biaxial stress evaluation described above applies only to straight sections of pipe.

833.5 Design for Stress Greater Than Yield

(a) The limits in paras. 833.3 and 833.4 may be exceeded where due consideration is given to the ductility and strain capacity of seam weld, girth weld, and pipe body materials; and to the avoidance of buckles, swelling, or coating damage.

(b) The maximum permitted strain is limited to 2%.

833.6 Summation of Longitudinal Stresses in Unrestrained Pipe

(a) The net longitudinal stress in unrestrained pipe is

$$S_L = S_p + S_X + S_B, \text{ psi}$$

(b) The maximum permitted longitudinal stress in unrestrained pipe is $S_L \leq 0.75ST$, where S is the specified minimum yield strength, psi (MPa), per para. 841.1.1(a), and T is the temperature derating factor per para. 841.1.8.

833.7 Flexibility Analysis for Unrestrained Piping

(a) There is no need for formal flexibility analysis for an unrestrained piping system that

(1) duplicates or replaces without significant change a system operating with a successful record

(2) can be readily judged adequate by comparison with previously analyzed systems

(3) is of uniform size, has no more than two points of fixation and no intermediate restraints, and falls within the limitations of the following empirical equation

$$\frac{DY}{(L - U)^2} \leq K$$

where

D = nominal outside diameter of pipe, in. (mm)

K = 0.03, for U.S. Customary units (208, for SI units) listed in the equation

L = developed length of piping between anchors, ft (m)

U = straight line separation between anchors, ft (m)

Y = resultant of total displacement strains, in. (mm), to be absorbed by the system

NOTE: No general proof can be offered that this empirical equation always yields conservative results. It is not applicable to systems used in severe cyclic conditions. It should be used with caution in configurations such as unequal leg U-bends having $L/U > 2.5$; nearly straight "sawtooth" runs; where $i \geq 5$ due to thin-walled design; or where displacements not in the direction connecting anchor points constitute a large part of the total displacement. There is no assurance that terminal reactions will be acceptably low even if a piping system falls within the limitations of (3).

(b) Any piping system that does not meet one of the criteria in (a) should undergo a flexibility stress analysis by a simplified, approximate, or comprehensive method as deemed appropriate.

833.8 Flexibility Stresses and Stresses Due to Periodic or Cyclic Fatigue Loading

(a) The stress range in unrestrained piping due to thermal expansion and periodic, vibrational, or cyclic displacements or loads shall be computed as

$$S_E = M_E/Z$$

where M_E is the resultant intensified moment range from one stress state to another. The resultant intensified moment shall be calculated as

$$M_E = \left[(i_i M_i)^2 + (i_o M_o)^2 + M_t^2 \right]^{1/2}, \text{ lb-in. (N}\cdot\text{m)}$$

(b) The cyclic stress range $S_E \leq S_A$, where

$$S_A = f[1.25(S_c + S_h) - S_L]$$

$$f = 6N^{-0.2} \leq 1.0$$

- N = equivalent number of cycles during the expected service life of the piping system
 $S_c = 0.33S_uT$ at the minimum installed or operating temperature
 $S_h = 0.33 S_uT$ at the maximum installed or operating temperature
 S_L = longitudinal stress calculated according to [para. 833.6\(a\)](#), psi (MPa)
 S_u = specified minimum ultimate tensile strength, psi (MPa)
 T = temperature derating factor per [para. 841.1.8](#)

(c) When the computed stress range varies, S_E is defined as the greatest computed stress range. The value of N in such cases can be calculated as

$$N = N_E + \sum (r_i^5 N_i) \text{ for } i = 1, 2, \dots, n$$

where

- N_E = number of cycles of maximum computed stress range, S_E
 N_i = number of cycles associated with stress range, S_i
 $r_i = S_i/S_E$
 S_i = any computed stress range smaller than S_E , psi (MPa)

833.9 Local Stresses

(a) High local stresses are usually generated at structural discontinuities and sites of local loadings. Although they may exceed the material yield strength, such stresses may often be disregarded because they are localized in influence and may be self-limiting or relieved by local deformation. Examples include stresses in branch connections caused by pressure or external loads, or stresses at structural discontinuities. This Code does not fully address the maximum allowable value for local stresses. It is the engineer's responsibility to determine whether such stresses must be evaluated.

(b) The maximum allowable sum of circumferential stress due to internal pressure and circumferential through-wall bending stress caused by surface vehicle loads or other local loads is $0.9ST$, where S is the specified minimum yield strength, psi (MPa), per [para. 841.1.1\(a\)](#), and T is the temperature derating factor per [para. 841.1.8](#).

(c) Local stresses in (a) or (b) caused by periodic or repetitive loads may require further limitations in consideration of fatigue.

833.10 Buckling and Lateral Instability

(a) Pipe sections that are subjected to significant compressive stresses and strains due to force-controlled loading, displacement-controlled loading, or both shall be designed to prevent local buckling and global lateral instability. Examples of force-controlled loading include internal pressure, self-weight of the pipe and its contents,

soil overburden, external hydrostatic pressure, and buoyancy. Examples of displacement-controlled loading include differential temperature loads in restrained pipe sections and bending caused by ground movements.

(b) To prevent local buckling where the dominant longitudinal load is caused by force-controlled loading, longitudinal compressive strains shall be limited to a critical buckling strain determined in accordance with an established method. In the absence of more detailed information, the compressive strain limit, $\epsilon_{cf}^{\text{crit}}$, should be taken as

$$\epsilon_{cf}^{\text{crit}} = 0.4 \frac{t}{D} - 0.0020 + 2,400 \left(\frac{(p_i - p_o)D}{2tE} \right)^2$$

for

$$\frac{(p_i - p_o)D}{2tS} < 0.4$$

and

$$\epsilon_{cf}^{\text{crit}} = 0.4 \frac{t}{D} - 0.0020 + 2,400 \left(\frac{0.4S}{E} \right)^2$$

for

$$\frac{(p_i - p_o)D}{2tS} \geq 0.4$$

where

- D = nominal outside diameter of pipe, in. (mm)
 E = elastic modulus of steel, psi (MPa) ([Table 832.5-1](#))
 p_i = maximum internal design pressure, psig (MPa)
 p_o = minimum external hydrostatic pressure, psig (MPa)
 S = specified minimum yield strength, psi (MPa)
 t = nominal wall thickness, in. (mm)

(c) To prevent global lateral instability in pipelines subjected to axial compression, the pipeline section shall be designed to limit the maximum allowable net compressive stress to two-thirds of the critical buckling stress determined in accordance with an established method.

834 SUPPORTS AND ANCHORAGE FOR EXPOSED PIPING

834.1 General

Piping and equipment shall be supported in a substantial and workmanlike manner, so as to prevent or reduce excessive vibration, and shall be anchored sufficiently to prevent undue strains on connected equipment.

834.2 Provision for Expansion

Supports, hangers, and anchors should be so installed as not to interfere with the free expansion and contraction of the piping between anchors. Suitable spring hangers, sway bracing, etc., shall be provided where necessary.

834.3 Materials, Design, and Installation

All permanent hangers, supports, and anchors shall be fabricated from durable incombustible materials and designed and installed in accordance with good engineering practice for the service conditions involved. All parts of the supporting equipment shall be designed and installed so that they will not be disengaged by movement of the supported piping.

834.4 Forces on Pipe Joints

(a) All exposed pipe joints shall be able to sustain the maximum end force, lb (N), due to the internal pressure, i.e., the design pressure, psig (kPa), times the internal area of the pipe, in.² (mm²), as well as any additional forces due to temperature expansion or contraction or to the weight of pipe and contents.

(b) If compression or sleeve-type couplings are used in exposed piping, provision shall be made to sustain the longitudinal forces noted in (a). If such provision is not made in the manufacture of the coupling, suitable bracing or strapping shall be provided, but such design must not interfere with the normal performance of the coupling nor with its proper maintenance. Attachments must meet the requirements of [para. 834.5](#).

834.5 Attachment of Supports or Anchors

(a) The method of attachment of supports and anchors to pipe shall be such that the pipe can be visually inspected for external corrosion and wear at the interface of the pipe and the support or anchor, or shall be such that corrosion and wear at the interface of the pipe and the support or anchor is prevented.

(b) If the pipe is designed to operate at a hoop stress of less than 50% of the specified minimum yield strength, structural supports or anchors may be welded directly to the pipe. Proportioning and welding strength requirements of such attachments shall conform to standard structural practice.

(c) If the pipe is designed to operate at a hoop stress of 50% or more of the specified minimum yield strength, structural supports or anchors shall not be welded directly to the pipe. Where it is necessary to provide a welded attachment, structural supports or anchors shall be welded to a member that fully encircles the pipe. The connection of the pipe to the encircling member shall be by continuous, rather than intermittent, welds or by use of a bolted or clamped mechanical connection.

835 ANCHORAGE FOR BURIED PIPING

835.1 General

Bends or offsets in buried pipe cause longitudinal forces that must be resisted by anchorage at the bend, by restraint due to friction of the soil, or by longitudinal stresses in the pipe.

835.2 Anchorage at Bends

If the pipe is anchored by bearing at the bend, care shall be taken to distribute the load on the soil so that the bearing pressure is within safe limits for the soil involved.

835.3 Restraint Due to Soil Friction

Where there is doubt as to the adequacy of restraint friction, calculations shall be made, and indicated anchoring shall be installed.

835.4 Forces on Pipe Joints

If anchorage is not provided at the bend (see [para. 835.2](#)), pipe joints that are close to the points of thrust origin shall be designed to sustain the longitudinal pullout force. If such provision is not made in the manufacture of the joints, suitable bracing or strapping shall be provided.

835.5 Supports for Buried Piping

(a) In pipelines, especially those that are highly stressed from internal pressure, uniform and adequate support of the pipe in the trench is essential. Unequal settlements may produce added bending stresses in the pipe. Lateral thrusts at branch connections may greatly increase the stresses in the branch connection itself, unless the fill is thoroughly consolidated or other provisions are made to resist the thrust.

(b) Rock shield shall not be draped over the pipe unless suitable backfill and padding are placed in the ditch to provide a continuous and adequate support of the pipe in the trench.

(c) When openings are made in a consolidated backfill to connect new branches to an existing line, care must be taken to provide firm foundation for both the header and the branch to prevent vertical and lateral movements.

835.6 Interconnection of Underground Lines

Underground lines are subjected to longitudinal stresses due to changes in pressure and temperature. For long lines, the friction of the earth will prevent changes in length from these stresses, except for several hundred feet adjacent to bends or ends. At these locations, the movement, if unrestrained, may be of considerable magnitude. If connections are made at such a location to a relatively unyielding line or other fixed object, it is essential that the interconnection

shall have ample flexibility to compensate for possible movement, or the line shall be provided with an anchor sufficient to develop the forces necessary to limit the movement.

836 LIQUID REMOVAL EQUIPMENT

Liquid removal equipment shall be manufactured in accordance with the BPV Code, Section VIII, except that those constructed of pipe and fittings without any

components welded to the inside of the separator may be constructed in accordance with ASME B31.8 using a design factor from [Table 841.1.6-2](#). The designer of the liquid removal equipment shall apply an appropriate corrosion allowance and shall address all liquid and water hammer loads so that Code-allowable stresses are not exceeded.

Chapter IV

Design, Installation, and Testing

840 DESIGN, INSTALLATION, AND TESTING

(22) 840.1 General Provisions

(a) The design requirements of this Code are intended to be adequate for public safety under all conditions encountered in the gas industry. Conditions that may cause additional stress in any part of a line or its appurtenances shall be provided for, using good engineering practice. Examples of such conditions include long self-supported spans, unstable ground, mechanical or sonic vibration, weight of special attachments, earthquake-induced stresses, stresses caused by temperature differences, and the soil and temperature conditions found in the Arctic. Temperature differences shall be taken as the difference between the lowest and highest expected metal temperature during pressure test and/or operating services having due regard to past recorded temperature data and the possible effects of lower or higher air and ground temperature.

(b) The quality of the gas to be transported in the pipeline, or by the pipeline system, shall be considered when designing facilities. Measures shall be taken to control or minimize adverse effects of the gas properties or gas composition when any of the following may be a concern:

(1) *Gas Composition.* Uncontrolled or unexpected variations in heating value may result in problems at the end user's burner tip or process. Noncombustible compounds (e.g., nitrogen, nitrogen compounds, carbon dioxide, etc.) may reduce the heating value and increase the specific gravity of the gas stream. Carbon dioxide contributes to internal corrosion in the presence of free water. Increased specific gravity of the gas stream may foretell the condensing of heavy hydrocarbons at cooler temperatures which may negatively affect operations. A change in specific gravity may affect pipeline and compressor capacity calculations. For effects of heavy hydrocarbons on the design of pipe for ductile fracture arrest, see the "Caution" at the end of [para. 841.1.1](#).

(2) *Hydrogen Sulfide Content.* Hydrogen sulfide is highly toxic and contributes to corrosion in the presence of water. Refer to [Chapter IX](#) for specific provisions related to hydrogen sulfide.

(3) *Oxygen Content.* Oxygen contributes to corrosion problems in the presence of free water at certain temperatures. Certain mixtures of oxygen and gas above the lower

explosive limit can create an explosive condition. (See [section 864](#) and [paras. 841.2.7](#) and [850.6](#).)

(4) *Water Vapor Content and Free Liquids.* Free water and hydrocarbons at certain combinations of pressures and temperatures may produce hydrates, which are crystalline solids that may cause partial or complete pipeline blockages, that may lead to a disruption of pipeline operations.

Based on the characteristics of the gas stream (i.e., heating value, specific gravity, temperature, free liquid, odorization, impurities, and other objectionable substances), appropriate precautions shall be considered to address any problems that might adversely affect the pipeline system or the end user.

(c) The most significant factor contributing to the failure of a gas pipeline is damage to the line caused by the activities of people along the route of the line. Damage will generally occur during construction of other facilities associated with providing the services associated with human dwellings and commercial or industrial enterprises. These services, such as water, gas and electrical supply, sewage systems, drainage lines and ditches, buried power and communication cables, streets and roads, etc., become more prevalent and extensive, and the possibility of damage to the pipeline becomes greater with larger concentrations of buildings intended for human occupancy. Determining the Location Class provides a method of assessing the degree of exposure of the line to damage.

(d) A pipeline designed, constructed, and operated in accordance with the requirements of Location Class 1 [see [para. 840.2.2\(a\)](#)] is basically safe for pressure containment in any location; however, additional measures are necessary to protect the integrity of the line in the presence of activities that might cause damage. One of the measures required by this Code is to lower the stress level in relation to increased public activity. This activity is quantified by determining Location Class and relating the design of the pipeline to the appropriate design factor.

(e) Early editions of this Code used the term "population density index" to determine design, construction, testing, and operation requirements. They also used the term "Location Class" in prescribing design pressure, type of construction, and maximum allowable operating pressure. To simplify use of this Code, the term

“population density index” was eliminated. Construction Types A, B, C, and D were eliminated and replaced with the same terminology used for design–location class.

(f) The requirements based on Location Class were such that there were no significant changes in the design, installation, testing, and operation of piping systems due to changes in terminology.

(g) Pipelines constructed prior to the publication of this Edition and designed in accordance with Location Classes established in compliance with previous editions of this Code may continue to use the Location Classes so determined, provided that when observed increases in the number of buildings intended for human occupancy occur, the Location Class determination shall be as presented in [para. 840.2](#).

(h) The operator shall take appropriate steps to verify that the pipeline is as free from damage or workmanship defects as reasonably possible. The operator shall implement plans, procedures, and inspection activities for minimizing the likelihood of damage and defects in the pipeline. Documentation showing that these plans and procedures were followed shall also be prepared. In addition to construction inspections, the operator is encouraged to ensure that personnel working in the vicinity of a facility being installed are adequately trained to recognize and respond to conditions on the pipeline that could have adverse consequence to the future integrity of the pipeline. See [section 807](#) for guidance on the training and qualification of personnel. Although testing after construction provides a high level of confidence that injurious defects are found, other conditions (such as coating damage or undesirable backfill material) may not manifest themselves until after the pipeline is placed in service.

840.2 Buildings Intended for Human Occupancy

840.2.1 General

(a) To determine the number of buildings intended for human occupancy for an onshore pipeline, lay out a zone $\frac{1}{4}$ mi (0.4 km) wide along the route of the pipeline with the pipeline on the centerline of this zone, and divide the pipeline into random sections 1 mi (1.6 km) in length such that the individual lengths will include the maximum number of buildings intended for human occupancy. Count the number of buildings intended for human occupancy within each 1 mi (1.6 km) zone. For this purpose, each separate dwelling unit in a multiple dwelling unit building is to be counted as a separate building intended for human occupancy.

(b) It is not intended here that a full 1 mi (1.6 km) of lower stress level pipeline shall be installed if there are physical barriers or other factors that will limit the further expansion of the more densely populated area to a total distance of less than 1 mi (1.6 km). It is intended, however, that where no such barriers exist, ample allowance shall be made in determining the limits of the lower stress

design to provide for probable further development in the area.

(c) When a cluster of buildings intended for human occupancy indicates that a basic 1 mi (1.6 km) of pipeline should be identified as a Location Class 2 or Location Class 3, the Location Class 2 or Location Class 3 may be terminated 660 ft (200 m) from the nearest building in the cluster.

(d) For pipelines shorter than 1 mi (1.6 km) in length, a Location Class that is typical of the Location Class that would be required for 1 mi (1.6 km) of pipeline traversing the area shall be assigned.

840.2.2 Location Classes for Design and Construction

(a) *Location Class 1.* A Location Class 1 is any 1 mi (1.6 km) section that has 10 or fewer buildings intended for human occupancy. A Location Class 1 is intended to reflect areas such as wasteland, deserts, mountains, grazing land, farmland, and sparsely populated areas.

(1) *Class 1, Division 1.* This Division is a Location Class 1 where the design factor of the pipe is greater than 0.72 but equal to or less than 0.80. (See [Table 841.1.6-2](#) for exceptions to design factor.)

(2) *Class 1, Division 2.* This Division is a Location Class 1 where the design factor of the pipe is equal to or less than 0.72. (See [Table 841.1.6-2](#) for exceptions to design factor.)

(b) *Location Class 2.* A Location Class 2 is any 1 mi (1.6 km) section that has more than 10 but fewer than 46 buildings intended for human occupancy. A Location Class 2 is intended to reflect areas where the degree of population is intermediate between Location Class 1 and Location Class 3, such as fringe areas around cities and towns, industrial areas, ranch or country estates, etc.

(c) *Location Class 3.* A Location Class 3 is any 1 mi (1.6 km) section that has 46 or more buildings intended for human occupancy except when a Location Class 4 prevails. A Location Class 3 is intended to reflect areas such as suburban housing developments, shopping centers, residential areas, industrial areas, and other populated areas not meeting Location Class 4 requirements.

(d) *Location Class 4.* Location Class 4 includes areas where multistory buildings are prevalent, where traffic is heavy or dense, and where there may be numerous other utilities underground. Multistory means four or more floors aboveground including the first or ground floor. The depth of basements or number of basement floors is immaterial.

840.3 Considerations Necessary for Concentrations of People in Location Class 1 or 2

(a) In addition to the criteria contained in [para. 840.2](#), additional consideration must be given to the possible consequences of a failure near areas where a concentration of people is likely, such as a church, school, multiple

dwelling unit, hospital, or recreational area of an organized character in Location Class 1 or 2.

If the facility is used infrequently, the requirements of (b) need not be applied.

(b) Pipelines near places of public assembly or concentrations of people, such as churches, schools, multiple dwelling unit buildings, hospitals, or recreational areas of an organized nature in Location Class 1 or 2 shall meet requirements for Location Class 3.

(c) Concentrations of people referred to in (a) and (b) are not intended to include groups of fewer than 20 people per instance or location but are intended to cover people in an outside area as well as in a building.

840.4 Intent

(a) It should be emphasized that Location Class (1, 2, 3, or 4) as described in the previous paragraphs is defined as the general description of a geographic area having certain characteristics as a basis for prescribing the types of design, construction, and methods of testing to be used in those locations or in areas that are comparable. A numbered Location Class, such as Location Class 1, refers only to the geography of that location or a similar area and does not necessarily indicate that a design factor of 0.72 will suffice for all construction in that particular location or area [e.g., in Location Class 1, all aerial crossings require a design factor of 0.6; see para. 841.1.9(b)].

(b) When classifying locations for determining the design factor for pipeline construction and testing that should be prescribed, due consideration shall be given to the possibility of future development of the area. If at the time of planning a new pipeline this future development appears likely to be sufficient to change the Location Class, this shall be taken into consideration in the design and testing of the proposed pipeline.

841 STEEL PIPE

841.1 Steel Piping Systems Design Requirements

841.1.1 Steel Pipe Design Formula

(a) The design pressure for steel gas piping systems or the nominal wall thickness for a given design pressure shall be determined by the following formula (for limitations, see para. 841.1.3):

(U.S. Customary Units)

$$P = \frac{2St}{D} FET$$

(SI Units)

$$P = \frac{2000St}{D} FET$$

where

D = nominal outside diameter of pipe, in. (mm)

E = longitudinal weld joint quality factor obtained from Table 841.1.7-1 [see also para. 817.1.3(d)]

F = design factor obtained from Table 841.1.6-1. In setting the values of the design factor, F , due consideration has been given and allowance has been made for the various underthickness tolerances provided for in the pipe specifications listed and approved for usage in this Code.

P = design pressure, psig (kPa) [see also para. 841.1.3]

S = specified minimum yield strength, psi (MPa), stipulated in the specifications under which the pipe was purchased from the manufacturer or determined in accordance with paras. 817.1.3(h) and 841.1.4. The specified minimum yield strengths of some of the more commonly used piping steels whose specifications are incorporated by reference herein are tabulated for convenience in Mandatory Appendix D.

T = temperature derating factor obtained from Table 841.1.8-1

t = nominal wall thickness, in. (mm)

CAUTION: This cautionary note is nonmandatory. Steel pipe may exhibit pronounced differences in strength between the longitudinal and circumferential directions. The orientation of the strength test is established by the pipe product specification depending on pipe size and method of pipe making. Consequently, pipe may have a qualified strength in an axis orientation that does not conform to the orientation of the principal loading or stress. The user is alerted to be aware of the standard test orientation used to determine conformance of pipe to the minimum strength requirement of the selected grade, and to consider whether the intended uses or anticipated service conditions of the pipeline system warrant supplemental testing of the strength properties in other orientations.

(b) Where $D/t < 30$, the following alternative pressure design formula may be used:

(U.S. Customary Units)

$$P = \frac{2St}{D - t} FET$$

(SI Units)

$$P = \frac{2000St}{D - t} FET$$

Nomenclature is the same as specified in [para. 841.1.1\(a\)](#).

(c) The design factor for pipelines in Location Class 1, Division 1 is based on gas pipeline operational experience at operation levels in excess of those previously recommended by this Code.

It should be noted that the user may be required to change out such pipe or reduce pressure to 0.72 SMYS maximum in accordance with [para. 854.2](#).

841.1.2 Fracture Control and Arrest

(a) *Fracture Toughness Criterion.* A fracture toughness criterion or other method shall be specified to control fracture propagation when one of the following is true:

(1) a pipeline is designed to operate either at a hoop stress over 40% through 80% of SMYS in sizes NPS 16 (DN 400) or larger

(2) a pipeline is designed to operate at a hoop stress over 72% through 80% of SMYS in sizes smaller than NPS 16 (DN 400)

(3) a pipeline is designed with a minimum design temperature below -20°F (-29°C) as outlined in [section 812](#)

When a fracture toughness criterion is used, control can be achieved by ensuring that the pipe has adequate ductility and by either specifying adequate toughness or installing crack arrestors on the pipeline to stop propagation.

(b) *Brittle Fracture Control.* To ensure that the pipe has adequate ductility, fracture toughness testing shall be performed in accordance with the testing procedures of Annex G of API Spec 5L or other equivalent alternatives. If the operating temperature is below 50°F (10°C), an appropriate lower test temperature shall be used when determining adherence to the minimum impact values in (c) and shear appearance as outlined below. The appropriate lower test temperature shall be taken to be at or below the lowest expected metal temperature during pressure testing (if with air or gas) and during service, having regard to past recorded temperature data and possible effects of lower air and ground temperatures. The average shear value of the fracture appearance of three Charpy specimens from each heat shall not be less than 60%, and the all-heat average for each order per diameter, size, and grade shall not be less than 80%. Alternatively, when drop-weight tear testing is specified, at least 80% of the heats shall exhibit a fracture appearance shear area of 40% or more at the specified test temperature.

(c) *Ductile Fracture Arrest.* To ensure that the pipeline has adequate toughness to arrest a ductile fracture, the pipe shall be tested in accordance with the procedures of Annex G of API Spec 5L. The all-heat average of the Charpy energy values shall meet or exceed the energy value calculated using one of the following equations

that have been developed in various pipeline research programs:

(1) *Battelle Columbus Laboratories (BCL) (AGA)*

(U.S. Customary Units)

$$CVN = 1.08 \times 10^{-2} \sigma^2 (Dt/2)^{1/3}$$

(SI Units)

$$CVN = 3.57 \times 10^{-5} \sigma^2 (Dt/2)^{1/3}$$

(2) *American Iron and Steel Institute (AISI)*

(U.S. Customary Units)

$$CVN = 2.40 \times 10^{-2} (\sigma^{3/2}) (D^{1/2})$$

(SI Units)

$$CVN = 3.57 \times 10^{-4} (\sigma^{3/2}) (D^{1/2})$$

where

CVN = full-size Charpy V-notch absorbed energy, ft-lb (J)

D = nominal outside diameter of pipe, in. (mm)

t = nominal wall thickness, in. (mm)

σ = maximum allowable hoop stress, ksi (MPa)

NOTE: If full-size test pieces are used and the CVN-absorbed energy value derived from these equations exceeds 74 ft-lb (100 J), the arrest toughness value requires correction. A specialist should be consulted to determine such corrections.

For API Spec 5L pipe, the minimum impact values shall be the greater of those given by the equations above or those required by Annex G of API Spec 5L, which contains additional acceptable methodologies for establishing minimum or all heat average Charpy energy values.

For pipe manufactured to other standards where the minimum impact values are specified within that standard, those minimum requirements shall be maintained. In cases where the pipe manufacturing standard does not specify the minimum impact requirements, the minimum impact requirements of API Spec 5L shall be used.

NOTE: The limitations to only PSL 2 pipe in Annex G of API Spec 5L are not applicable.

(d) *Mechanical Crack Arrestors.* Mechanical crack arrestors consisting of sleeves, wire-rope wrap, heavy-wall pipe, or other suitable types have been shown to provide reliable methods of arresting ductile fracture. The mechanical crack arrestors shall be placed at intervals along the pipeline. (22)

CAUTION: The requirements specified in (c) assume the pipeline is transporting essentially pure methane and the pipe is similar in fracture behavior to that used to develop the empirical equations above. The presence of heavier hydrocarbons can cause the gas to exhibit two-phase behavior on sudden decompression and thus requires a greater Charpy energy to arrest propagating pipe fracture. Likewise, pipe with nominal wall thickness greater than 1.25 in. (32 mm) or that has been control rolled or quenched and tempered may not behave as indicated by the equations and may also require a greater Charpy energy to arrest a propagating fracture. Calculations must be performed to determine if the decompression exhibits two-phase behavior, and an assessment must be made as to the applicability of the arrest equations where additional toughness may be required. Otherwise, mechanical crack arrestors [see (d)] should be installed, or the Charpy toughness requirements for arrest should be verified through experiments or additional calculations.

NOTE: The empirical equations specified in (c) were developed using conventional line pipe nominal wall thicknesses. The user of this Code is advised that lowering of the test temperature to below the minimum design temperature is sometimes necessary to accurately simulate the performance of materials when the pipe nominal wall thickness is significantly greater than the size of the test specimens.

841.1.3 Limitations on Design Pressure, P , in Para. 841.1.1. The design pressure obtained by the formula in para. 841.1.1 shall be reduced to conform to the following:

(a) P for furnace butt-welded pipe shall not exceed the restrictions of para. 841.1.1 or 60% of mill test pressure, whichever is the lesser.

(b) P shall not exceed 85% of the mill test pressure for all other pipes provided; however, that pipe, mill tested to a pressure less than 85% of the pressure required to produce a hoop stress equal to the specified minimum yield, may be retested with a mill type hydrostatic test or tested in place after installation. In the event the pipe is retested to a pressure in excess of the mill test pressure, then P shall not exceed 85% of the retest pressure rather than the initial mill test pressure. It is mandatory to use a liquid as the test medium in all tests in place after installation where the test pressure exceeds the mill test pressure. This paragraph is not to be construed to allow an operating pressure or design pressure in excess of that provided for by para. 841.1.1.

841.1.4 Limitations on Specified Minimum Yield Strength, S , in Para. 841.1.1

(a) If the pipe under consideration is not new pipe purchased under a specification approved and listed in this Code, the value of S may be determined in accordance with one of the following:

(1) S value for new pipe qualified under para. 811.2.2

(2) S value for reuse of steel pipe qualified under one of the provisions of para. 817.1

(3) S value for pipe of unknown specification as determined by para. 817.1.3(h)

(b) When pipe that has been cold worked for meeting the specified minimum yield strength is subsequently heated to a temperature higher than 900°F (482°C) for any period of time or over 600°F (316°C) for more than 1 hr, the maximum allowable pressure at which it can be used shall not exceed 75% of the value obtained by use of the steel pipe design formula given in para. 841.1.1.

(c) In no case where the Code refers to the specified minimum value of a mechanical property shall the higher actual value of a property be substituted in the steel pipe design formula given in para. 841.1.1. If the actual value is less than the specified minimum value of a mechanical property, the actual value may be used where it is permitted by the Code, such as in para. 817.1 regarding the reuse of steel pipe.

841.1.5 Additional Requirements for Nominal Wall Thickness, t , in Para. 841.1.1

(a) The nominal wall thickness, t , required for pressure containment as determined by para. 841.1.1 may not be adequate for other forces to which the pipeline may be subjected. [See para. 840.1(a).] Consideration shall also be given to loading due to transportation or handling of the pipe during construction, weight of water during testing, and soil loading and other secondary loads during operation. [See para. 841.1.11(e) for suggested methods to provide additional protection.] Consideration should also be given to welding or mechanical joining requirements. Standard wall thickness, as prescribed in ASME B36.10M, shall be the least nominal wall thickness used for threaded and grooved pipe.

(b) Transportation, installation, or repair of pipe shall not reduce the wall thickness at any point to a thickness less than 90% of the nominal wall thickness as determined by para. 841.1.1 for the design pressure to which the pipe is to be subjected.

841.1.6 Design Factors, F , and Location Classes. The design factor in Table 841.1.6-1 shall be used for the designated Location Class. All exceptions to basic design factors to be used in the design formula are given in Table 841.1.6-2.

841.1.7 Longitudinal Weld Joint Quality Factor, E . The longitudinal weld joint quality factor, E , shall be in accordance with Table 841.1.7-1.

841.1.8 Temperature Derating Factor. The temperature derating factor shall be in accordance with Table 841.1.8-1.

Table 841.1.6-1
Basic Design Factor, *F*

Location Class	Design Factor, <i>F</i>
Location Class 1, Division 1	0.80
Location Class 1, Division 2	0.72
Location Class 2	0.60
Location Class 3	0.50
Location Class 4	0.40

Table 841.1.6-2
Design Factors for Steel Pipe Construction

Facility	Location Class				
	1		2	3	4
	Div. 1	Div. 2			
Pipelines, mains, and service lines [see para. 840.2.2]	0.80	0.72	0.60	0.50	0.40
Crossings of roads, railroads without casing:					
(a) Private roads	0.80	0.72	0.60	0.50	0.40
(b) Unimproved public roads	0.60	0.60	0.60	0.50	0.40
(c) Roads, highways, or public streets with hard surface and railroads	0.60	0.60	0.50	0.50	0.40
Crossings of roads, railroads with casing:					
(a) Private roads	0.80	0.72	0.60	0.50	0.40
(b) Unimproved public roads	0.72	0.72	0.60	0.50	0.40
(c) Roads, highways, or public streets with hard surface and railroads	0.72	0.72	0.60	0.50	0.40
Parallel encroachment of pipelines and mains on roads and railroads:					
(a) Private roads	0.80	0.72	0.60	0.50	0.40
(b) Unimproved public roads	0.80	0.72	0.60	0.50	0.40
(c) Roads, highways, or public streets with hard surface and railroads	0.60	0.60	0.60	0.50	0.40
Fabricated assemblies [see para. 841.1.9(a)]	0.60	0.60	0.60	0.50	0.40
Pipelines on bridges [see para. 841.1.9(b)]	0.60	0.60	0.60	0.50	0.40
Pressure/flow control and metering facilities [see para. 841.1.9(d)]	0.60	0.60	0.60	0.50	0.40
Compressor station piping	0.50	0.50	0.50	0.50	0.40
Liquid removal equipment constructed of pipe and fittings without internal welding [see section 836]	0.50	0.50	0.50	0.50	0.40
Near concentration of people in Location Classes 1 and 2 [see para. 840.3(b)]	0.50	0.50	0.50	0.50	0.40

Table 841.1.7-1
Longitudinal Weld Joint Quality Factor, *E*

Spec. No.	Pipe Class	<i>E</i> Factor
ASTM A53	Seamless	1.00
	Electric-resistance welded	1.00
	Furnace-buttwelded, continuous weld	0.60
ASTM A106	Seamless	1.00
ASTM A134	Electric-fusion welded	0.80
ASTM A135	Electric-resistance welded	1.00
ASTM A139	Electric-fusion welded	0.80
ASTM A333	Seamless	1.00
	Electric-resistance welded	1.00
ASTM A381	Submerged-arc welded	1.00
ASTM A671	Electric-fusion welded	
	Classes 13, 23, 33, 43, 53	0.80
	Classes 12, 22, 32, 42, 52	1.00
ASTM A672	Electric-fusion welded	
	Classes 13, 23, 33, 43, 53	0.80
	Classes 12, 22, 32, 42, 52	1.00
ASTM A691	Electric-fusion welded	
	Classes 13, 23, 33, 43, 53	0.80
	Classes 12, 22, 32, 42, 52	1.00
API Spec 5L	Electric-resistance welded	1.00
	Seamless	1.00
	Submerged-arc welded (straight seam or helical seam)	1.00
	Furnace-buttwelded, continuous weld	0.60
	Combination welded	1.00

GENERAL NOTE: Definitions for the various classes of welded pipe are given in para. 804.7.3.

Table 841.1.8-1
Temperature Derating Factor, *T*, for Steel Pipe

Temperature, °F (°C)	Temperature Derating Factor, <i>T</i>
250 (121) or lower	1.000
300 (149)	0.967
350 (177)	0.933
400 (204)	0.900
450 (232)	0.867

GENERAL NOTE: For intermediate temperatures, interpolate for derating factor.

841.1.9 Additional Design Considerations

(22)

(a) Fabricated Assemblies

(1) *General.* When fabricated assemblies, such as connections for separators, main line valve assemblies, cross connections, river crossing headers, etc., are to be installed in areas defined in Location Class 1, a design factor of 0.6 is required throughout the assembly and for a distance equal to the lesser of 5 diameters or 10 ft (3 m) in each direction beyond the last fitting. A shorter distance may be used provided that combined stresses are considered in the design of the installation. Transition pieces at the end of an assembly and elbows used in place of pipe bends are not considered fittings under the requirements of this paragraph. Also see section 822.

(2) *Design Considerations for Pig Trap Fabricated Assemblies.* Pig traps shall be designed to allow the safe insertion and removal of pigs and ILI tools required for operation and integrity management of the pipeline. The design shall include sufficient instrumentation and components to support procedures that address the following:

(-a) The trap closure cannot be opened if any portion of the pig trap is pressurized above atmospheric pressure.

(-b) The trap barrel length and piping/instrumentation are sufficient to ensure that the pig or ILI tool will clear the pig trap valve allowing it to be closed, that the location of the pig in the trap can be confirmed, and that pressure equalization around the pig can be monitored.

(-c) The pig trap isolation from the pipeline should be achieved by isolation valves that provide double-sealing capabilities to minimize potential for leakage.

(-d) The design shall include sufficient piping, instrumentation, and facilities to allow safe purging and removal of gases, liquids, and solids from the pig trap and safe handling of the pig or ILI tool.

(-e) The design of the assembly shall minimize the potential for pigs passing from the trap into process piping (e.g., use of barred tees, pig cages).

(b) *Pipelines or Mains on Bridges.* The design factor for pipelines or mains supported by railroad, vehicular, pedestrian, or pipeline bridges shall be determined in accordance with the Location Class prescribed for the area in which the bridge is located. In Location Class 1, however, a design factor of 0.6 shall be used.

(c) *Decompression Cooling.* When reduction of pressure due to depressurization is anticipated to result in a significant reduction in the temperature of the piping system or any portion thereof, the user of this Code is cautioned to evaluate the effects of decompression and associated cooling on material serviceability and induced stresses.

(d) Design of Metering and Pressure/Flow Control

(1) All piping and piping components, up to and including the outlet stop valve(s) of individual meter and pressure/flow control runs, shall meet or exceed the maximum design pressure of the inlet piping

system. Threaded reducing bushings should not be used in pressure/flow control facilities where they are subject to high frequency piping vibrations. The design requirements of [para. 840.3](#) and [Table 841.1.6-2](#) apply to the design requirements of this section.

(2) All piping shall be tested in accordance with [para. 841.3](#) and the Location Class requirements of [Table 841.1.6-2](#). Instrumentation devices such as transmitters, recorders, controllers, etc., excluding testing instrumentation, should be isolated from the piping during the test. Test fluids shall be removed from piping and piping components and the piping purged with natural gas before placing the facilities in service.

(3) The corrosion control measures in [Chapter VI](#), as appropriate, must be applied to meter and pressure/flow control piping.

(e) *Metering Facilities.* Particular consideration and attention shall be given to sizing meter run blowdowns and/or flow-restricting plates for turbine and positive displacement meters. Rapid depressurization of meter runs can damage or destroy meters due to meter overspin and high differentials and can endanger personnel.

(f) *Other (Nonmandatory) Considerations for Metering Facilities*

(1) Meter proving reduces measurement uncertainty. Where meter design, size, and flow rate allows, consider installing meter proving taps.

(2) Upstream dry gas filter(s) should be considered when installing rotary or turbine meters. Particulates and pipeline dust can contaminate meter lubricating oil and damage bearings and other internal meter components.

(g) *Pressure/Flow Control Facilities*

(1) Overpressure protection shall be provided by the use of one or more of the following:

(-a) a monitor regulator in series with a controlling regulator (each regulator run).

(-b) adequately sized relief valve(s) downstream of the controlling regulator(s).

(-c) overpressure shutoff valve(s) upstream or downstream of the controlling regulator(s). Installation of alarm devices that indicate primary (controlling) regulator failure is useful and should be considered for monitoring regulator systems.

(2) Each regulator supply, control, and sensing line shall have a separate isolation valve for isolation purposes during regulator setup and maintenance and to prevent a safety device (i.e., monitor, regulator) from becoming unintentionally inoperable due to plugging or freezing of instrument lines.

(3) Steps shall be taken to prevent the freezing-up (internal and external) of regulators, control valves, instrumentation, pilot controls, and valve actuation equipment caused by moisture saturated instrument air or gas, pipeline gas, or external ambient conditions.

(4) Sound pressure levels of 110 dBA and greater shall be avoided to prevent damage to control equipment and piping.

(5) Gas velocities in piping should not exceed 100 ft/sec (30 m/s) at peak conditions. Lower velocities are recommended. High gas velocities in piping increase turbulence and pressure drop and contribute to excessive sound pressure levels (aerodynamic noise) and can cause internal piping erosion.

(h) *Other (Nonmandatory) Considerations for Pressure/Flow Control Facilities*

(1) Filtration of gas, particularly for instrumentation, instrument regulators, etc., should be considered where particulate contaminants are a present or potential problem.

(2) Installation of conical reducers immediately downstream of a regulator or control valve will allow a more gradual expansion of gas to larger piping and reduce turbulence and pressure drop during gas expansion.

(i) *Electrical Facilities and Electronic Equipment for Pressure/Flow Control and Metering Facilities*

(1) All electrical equipment and wiring installed in pressure/flow control facilities and metering facilities shall conform to the requirements of NFPA 70 and other applicable electrical codes. Additional API and AGA references are listed in [Nonmandatory Appendix C](#).

(2) Electronic control, monitoring, and gas measurement equipment shall be properly grounded and isolated from piping to help prevent overpressure/accidental shutoff situations caused by equipment failure due to lightning strikes and electrical transients and to prevent safety hazards caused by fault currents. Electrical isolation equipment for corrosion control purposes should not be installed in buildings unless specifically designed to be used in combustible atmospheres.

(3) Uninterruptible power sources or redundant backup systems should be considered to help prevent overpressure/unintentional shutoff situations caused by power outages.

(4) A useful reference for electronic gas measurements is API Manual of Petroleum Measurement Standards, Chapter 21 — Flow Measurement Using Electronic Metering Systems, Section 1 — Electronic Gas Measurement.

(j) *Pipeline Installation by Directional Drilling*

(1) *Qualifications.* Drilling contractors shall maintain written design and installation procedures addressing crossings to be completed by the directional drilling method. Drilling equipment operators and personnel responsible for establishing the location of the pilot head and reamer during drilling operations shall be qualified by training and experience in the implementation of the contractor's procedures.

(2) *Geotechnical Evaluations.* Geotechnical evaluations should be considered at the crossing location to establish subsurface conditions.

(3) *Installation Forces and Stresses.* Loads on, and stresses in, the pipe string during installation shall be evaluated to ensure protection of the pipe against yielding, buckling, collapse, and undesired movement of the pipe string due to the combined effects of external pressure, friction, axial forces, and bending. (See directional drilling references in [Nonmandatory Appendix C](#).)

(4) *Protective Coating.* The frictional and abrasive forces that may be exerted on the pipe coating during installation shall be considered when specifying the type of coating system to be applied to the pipe and weld joints. During installation, care shall be taken to protect the quality and integrity of the external corrosion coating.

(5) *Additional Evaluation Measures.* In addition to the minimum inspection and post-inspection testing requirements of this Code, consideration shall be given to performing the following additional measures on the pipe string:

(-a) nondestructive examination of 100% of all circumferential welds prior to installation

(-b) pressure testing (pretest) of the fabricated pipe string prior to installation

(-c) passing an internal sizing plate, caliper tool, or instrumented inspection device through the pipe string following installation

(6) *Damage Prevention.* To minimize the potential for damage to existing surface or subsurface structures, design of the crossing plan and profile shall consider the accuracy of the methods to be employed in locating existing structures, maintaining required clearances from existing structures, tracking the position of the pilot head and reamer during drilling operations, and tracking of the reamer during pullback.

Prior to the commencement of drilling operations, the location of all subsurface structures in near proximity to the design drill path shall, where practical, be exposed to permit a visual confirmation of the structure's location.

Prior to starting the reaming operation, consideration shall be given to the potential impact of the operation on all adjacent structures due to any realized deviations from the design path.

(k) *Other (Nonmandatory) Considerations for Pressure Cycle Fatigue of Longitudinal Pipe Seams.* Line pipe longitudinal seams are not generally regarded as susceptible to fatigue due to operational pressure cycles in most natural gas service. Evaluation of the potential for fatigue crack growth due to pressure cycles is recommended for pipe containing longitudinal seams where the expected lifetime accumulation of full MAOP cycles may exceed the following number of occurrences:

(U.S. Customary Units)

$$N = \frac{6.0 \times 10^{17}}{(F \times S)^3 \times t^{0.5}}$$

(SI Units)

$$N = \frac{9.8 \times 10^{11}}{(F \times S)^3 \times t^{0.5}}$$

where

F = design factor from [Table 841.1.6-1](#)

N = equivalent number of cycles during the expected service life of the piping system

S = specified minimum yield strength, psi (MPa), stipulated in the specification under which the pipe was purchased from the manufacturer or determined in accordance with [paras. 817.1.3\(h\)](#) and [841.1.4](#)

t = nominal wall thickness, in. (mm)

The pipeline is considered not susceptible to fatigue in the longitudinal seams due to pressure cycles if the pipeline has been exposed to a hydrostatic test at a pressure level at least 1.25 times the MAOP, and the expected lifetime accumulation of full MAOP cycles is N or fewer, or the design factor, F , is 0.4 or less. For purposes of applying this screening criterion, pressure cycles larger than 50% of the MAOP in magnitude should be counted as full MAOP cycles. Seam welds that are not oriented parallel to the longitudinal axis of the pipe are exempt from the evaluation.

841.1.10 Protection of Pipelines and Mains From Hazards (22)

(a) When pipelines and mains must be installed where they will be subject to natural hazards, such as washouts, floods, unstable soil, landslides, earthquake-related events (such as surface faulting, soil liquefaction, and soil and slope instability characteristics), or other conditions that may cause serious movement of, or abnormal loads on, the pipeline, reasonable precautions shall be taken to protect the pipeline, such as increasing the nominal wall thickness, constructing revetments, preventing erosion, and installing anchors.

(b) Where pipelines and mains cross areas that are normally under water or subject to flooding (i.e., lakes, bays, or swamps), sufficient weight or anchorage shall be applied to the line to prevent flotation.

(c) Because submarine crossings may be subject to washouts due to the natural hazards of changes in the waterway bed, water velocities, deepening of the channel, or changing of the channel location in the waterway, design consideration shall be given to protecting the pipeline or main at such crossings. The crossing shall be located in the more stable bank and

bed locations. The depth of the line, location of the bends installed in the banks, nominal wall thickness of the pipe, and weighting of the line shall be selected based on the characteristics of the waterway. In addition to the above hazards, pipe exposed to cross-currents may be susceptible to vortex-induced vibration (“vortex shedding”) in some flow regimes. This can cause fatigue damage in girth welds in the exposed spans. When these exposed span conditions are encountered, analyses shall be undertaken to determine whether this phenomenon is anticipated for the given pipe configuration and orientation and the anticipated water velocity conditions. Should conditions exist that could result in the pipe undergoing vibration and consequent fatigue damage, counteracting measures (burial, reburial, or vortex-shedding devices) shall be installed to reduce the potential for damage. API RP 1133 may be used for additional guidance.

(d) Where pipelines and mains are exposed, such as at spans, trestles, and bridge crossings, the pipelines and mains shall be reasonably protected by distance or barricades from accidental damage by vehicular traffic or other causes.

(e) When pipelines and mains are installed above grade and exposed to cross-wind conditions, the pipelines and mains shall be reasonably protected from vortex-induced vibration. Such vibration can cause fatigue damage in girth welds in the exposed span. Analyses shall be undertaken to determine whether this phenomenon is anticipated for the given pipe configuration and orientation and the full range of naturally occurring wind conditions. Should conditions exist that could result in the pipe undergoing vibration and consequent fatigue damage, counteracting measures (strakes, vibration dampeners, or other vortex-shedding devices) shall be installed or the natural frequency of the piping system changed to reduce the potential for damage.

841.1.11 Cover, Clearance, and Casing Requirements for Buried Steel Pipelines and Mains

(a) *Cover Requirements for Mains.* Buried mains shall be installed with a cover not less than 24 in. (610 mm). Where this cover provision cannot be met, or where external loads may be excessive, the main shall be encased, bridged, or designed to withstand any such anticipated external loads. Where farming or other operations might result in deep plowing, in areas subject to erosion, or in locations where future grading is likely, such as road, highway, railroad, and ditch crossings, additional protection shall be provided. [See (e) for suggested methods to provide additional protection.]

(b) *Cover Requirements for Pipelines.* Except for offshore pipelines, buried pipelines shall be installed with a cover not less than that shown in [Table 841.1.11-1](#).

Where these cover provisions cannot be met or where external loads may be excessive, the pipeline shall be encased, bridged, or designed to withstand any such

anticipated external loads. In areas where farming or other operations might result in deep plowing, in areas subject to erosion, or in locations where future grading is likely, such as at roads, highways, railroad crossings, and ditch crossings, additional protection shall be provided. [See (e) for suggested methods to provide additional protection.]

(c) *Clearance Between Pipelines or Mains and Other Underground Structures*

(1) There shall be at least 6 in. (150 mm) of clearance wherever possible between any buried pipeline and any other underground structure not used in conjunction with the pipeline. When such clearance cannot be attained, precautions to protect the pipe shall be taken, such as the installation of casing, bridging, or insulating material.

(2) There shall be at least 2 in. (50 mm) of clearance wherever possible between any buried gas main and any other underground structure not used in conjunction with the main. When such clearance cannot be attained, precautions to protect the main shall be taken, such as the installation of insulating material or casing.

(d) *Casing Requirements Under Railroads, Highways, Roads, or Streets.* Casings shall be designed to withstand the superimposed loads. Where there is a possibility of water entering the casing, the ends of the casing shall be sealed. If the end sealing is of a type that will retain the maximum allowable operating pressure of the carrier pipe, the casing shall be designed for this pressure and at least to the design factor of 0.72. Venting of sealed casings is not mandatory; however, if vents are installed they should be protected from the weather to prevent water from entering the casing. (Requirements for crossings within casing of railroads and highways are shown in [Table 841.1.6-2](#).)

**Table 841.1.11-1
Pipeline Cover Requirements**

Location	Cover, in. (mm)		
	For Normal Excavation	For Rock Excavation [Note (1)]	
		Pipe Size NPS 20 (DN 500) and Smaller	Pipe Size Larger Than NPS 20 (DN 500)
Class 1	24 (610)	12 (300)	18 (460)
Class 2	30 (760)	18 (460)	18 (460)
Classes 3 and 4	30 (760)	24 (610)	24 (610)
Drainage ditch at public roads and railroad crossings (all locations)	36 (910)	24 (610)	24 (610)

NOTE: (1) Rock excavation is excavation that requires blasting.

(e) *Additional Underground Pipe Protection.* The pipe design factor, F , shall be in accordance with [Table 841.1.6-2](#) for the crossing of roads and railroads. The guidance provided by API RP 1102, Steel Pipelines Crossing Railroads and Highways; or GRI Report No. 91/0284, Guidelines for Pipelines Crossing Highways; or Gas Piping Technology Committee's Guide Material Appendix G-15, Design of Uncased Pipelines Crossing of Highways and Railroads, may be considered for design and installation of pipeline crossing. The pipeline operator shall evaluate the need for extending additional pipe protection over the pipeline when the road or railroad right-of-way width is undefined based on anticipated loading from traffic or heavy equipment performing maintenance activities adjacent to the road or railroad.

Varying degrees of additional protection from third-party damage to a buried main or pipeline crossing within (or parallel to) the right-of-way of road or railroad may be achieved using the following techniques, or variants thereof, singly or in combination:

(1) A physical barrier or marker may be installed above or around the pipe (see [para. 851.7](#)). If a physical barrier is used, the potential conflict with the right-of-way maintenance activities should be recognized. Physical barrier or marker methods include

(-a) a concrete or steel barrier placed above the pipe

(-b) a concrete slab placed vertically adjacent to the pipe on each side and extended above the top of pipe elevation

(-c) damage-resistant coating material, such as concrete

(-d) extra depth of cover additional to that required in [\(b\)](#)

(-e) buried high-visibility warning tape placed parallel to and above the pipe

(-f) pipe casing [see [\(d\)](#) and [para. 861.1.6](#)]

(2) A heavier wall thickness than is required by the pipe design factor, F , in accordance with [Table 841.1.6-1](#) or [Table 841.1.6-2](#).

(3) Pipeline alignment should be as straight and perpendicular to the road or railroad alignment as possible to promote reliable marking of the pipe location through the right-of-way and at the right-of-way limits.

Additional underground pipe protection shall be used in conjunction with an effective educational program ([para. 850.4.4](#)), periodic surveillance of pipelines ([para. 851.1](#)), pipeline patrolling ([para. 851.2](#)), and utilization of programs that provide notification to operators regarding impending excavation activity, if available.

841.1.12 Design Factors Summary. Design factors are summarized in [Table 841.1.6-2](#).

841.2 Installation of Steel Pipelines and Mains

841.2.1 Construction Specifications. All construction work performed on piping systems in accordance with the requirements of this Code shall be done under construction specifications. The construction specifications shall cover all phases of the work and shall be in sufficient detail to cover the requirements of this Code.

841.2.2 Inspection Provisions

(a) The operating company shall provide suitable inspection. Inspectors shall be qualified either by experience or training. The inspector shall have the authority to order the repair or removal and replacement of any component found that fails to meet the standards of this Code.

(b) The installation inspection provisions for pipelines and other facilities to operate at hoop stresses of 20% or more of the specified minimum yield strength shall be adequate to make possible at least the following inspections at sufficiently frequent intervals to ensure good quality of workmanship:

(1) Inspect the surface of the pipe for serious surface defects just prior to the coating operation. [See [para. 841.2.4\(b\)\(1\)](#).]

(2) Inspect the surface of the pipe coating as it is lowered into the ditch to find coating lacerations that indicate the pipe might have been damaged after being coated.

(3) Inspect the fitup of the joints before the weld is made.

(4) Visually inspect the stringer beads before subsequent beads are applied.

(5) Inspect the completed welds before they are covered with coating.

(6) Inspect the condition of the ditch bottom just before the pipe is lowered in, except for offshore pipelines.

(7) Inspect the fit of the pipe to the ditch before backfilling, except for offshore pipelines.

(8) Inspect all repairs, replacements, or changes ordered before they are covered.

(9) Perform such special tests and inspections as are required by the specifications, such as nondestructive testing of welds and electrical testing of the protective coating.

(10) Inspect backfill material prior to use and observe backfill procedure to ensure no damage occurs to the coating in the process of backfilling.

841.2.3 Bends, Miters, and Elbows in Steel Pipelines and Mains. Changes in direction may be made by the use of bends, miters, or elbows under the following limitations: (22)

(a) *Bends*

(1) A bend shall be free from buckling, cracks, or other evidence of mechanical damage.

(2) The maximum degree of bending on a field cold bend may be determined by either method in [Table 841.2.3-1](#). The second column expresses the

(22) **Table 841.2.3-1
Pipeline Field Cold Bend Requirements**

Nominal Pipe Size	Maximum Deflection of Longitudinal Axis, deg	Minimum Radius of Bend in Pipe Diameters
NPS 12 (DN 300) and smaller	3.2	18D
NPS 14 (DN 350)	2.7	21D
NPS 16 (DN 400)	2.4	24D
NPS 18 (DN 450)	2.1	27D
NPS 20 (DN 500) and larger	1.9	30D

maximum deflection in an arc length equal to the nominal outside diameter, and the third column expresses the minimum radius as a function of the nominal outside diameter.

(3) A field cold bend in pipe sizes NPS 12 or larger may be made to a shorter minimum radius than permitted in Table 841.2.3-1, provided the completed bend meets all other requirements of para. 841.2.3, and the wall thickness after bending is not less than the minimum permitted by para. 841.1.1. This may be shown through appropriate testing.

(4) For pipe smaller than NPS 12 (DN 300), the requirements of Table 841.2.3-1 and para. 841.2.3 must be met, and the wall thickness after bending shall not be less than the minimum permitted by para. 841.1.1. This may be shown through appropriate testing.

(5) Except for offshore pipelines, when a circumferential weld occurs in a bend section, it shall be subjected to radiography examination after bending.

(6) Wrinkle bends shall not be used.

(7) Incidental ripples in the pipe surface may occur along the inside radius during the forming of cold field bends in some pipe. Ripples having a dimension measured from peak to valley not exceeding 1% of the pipe outside diameter are considered acceptable for all gas service. Larger ripples may be permitted based on an engineering analysis that considers the effects of pipeline construction and operation on the reliability of pipe affected by such features. In addition, the bend shall meet all other provisions of this section.

(b) *Miters.* Mitered bends are permitted, provided the following limitations are met:

(1) In systems intended to operate at hoop stress levels of 40% or more of the specified minimum yield strength, mitered bends are not permitted. Deflections caused by misalignment up to 3 deg are not considered as miters.

(2) In systems intended to operate at hoop stress levels of 10% or more but less than hoop stress levels of 40% of the specified minimum yield strength, the total deflection angle at each miter shall not exceed 12½ deg.

(3) In systems intended to operate at hoop stress levels of less than 10% of the specified minimum yield strength, the total deflection angle at each miter shall not exceed 90 deg.

(4) In systems intended to operate at hoop stress levels of 10% or more of the specified minimum yield strength, the minimum distance between miters measured at the crotch shall not be less than one pipe diameter.

(5) Care shall be taken in making mitered joints to provide proper spacing and alignment and full penetration.

(c) *Elbows.* Factory-made, wrought-steel welding elbows or transverse segments cut therefrom may be used for changes in direction, provided that the arc length measured along the crotch is at least 2 in. (50 mm) on pipe sizes NPS 4 (DN 100) and larger.

(d) *Segmented Bends and Elbows.* Factory-made bends and elbows may be cut (segmented) to enable changes in direction provided that the alignment of the resulting field butt weld meets the requirements of para. 822.1. Bends and elbows intended to be segmented shall be procured for this purpose with additional dimensional controls to meet inside diameter, outside diameter, and out of roundness (or ovality) tolerances, after cutting, to achieve acceptable end preparations. Refer to paras. 831.3.1(b) and 831.3.1(c).

841.2.4 Pipe Surface Requirements Applicable to Pipelines and Mains to Operate at a Hoop Stress of 20% or More of the Specified Minimum Yield Strength.

Gouges, grooves, and notches have been found to be an important cause of pipeline failures, and all harmful defects of this nature must be prevented, eliminated, or repaired. Precautions shall be taken during manufacture, hauling, and installation to prevent the gouging or grooving of pipe.

(a) *Detection of Gouges and Grooves*

(1) The field inspection provided on each job shall be suitable to reduce to an acceptable minimum the chances that gouged or grooved pipe will get into the finished pipeline or main. Inspection for this purpose just ahead of the coating operation and during the lowering-in and backfill operation is required.

(2) When pipe is coated, inspection shall be made to determine that the coating machine does not cause harmful gouges or grooves.

(3) Lacerations of the protective coating shall be carefully examined prior to the repair of the coating to determine if the pipe surface has been damaged.

(b) *Field Repair of Gouges and Grooves*

(1) Injurious gouges or grooves shall be removed.

(2) Gouges or grooves may be removed by grinding to a smooth contour, provided that the resulting wall thickness is not less than the minimum prescribed by this Code for the conditions of usage. [See para. 841.1.5(b).]

(3) When the conditions outlined in (2) cannot be met, the damaged portion of pipe shall be cut out as a cylinder and replaced with a good piece. Insert patching is prohibited.

(c) *Dents*

(1) A dent may be defined as a depression that produces a gross disturbance in the curvature of the pipe wall (as opposed to a scratch or gouge, which reduces the pipe wall thickness). The depth of a dent shall be measured as the gap between the lowest point of the dent and a prolongation of the original contour of the pipe in any direction.

(2) A dent, as defined in (1), that contains a stress concentrator such as a scratch, gouge, groove, or arc burn shall be removed by cutting out the damaged portion of the pipe as a cylinder.

(3) All dents that affect the curvature of the pipe at the seam weld or any girth weld shall be removed. All dents that exceed a maximum depth of $\frac{1}{4}$ in. (6 mm) in pipe NPS 12 (DN 300) and smaller or 2% of the nominal pipe diameter in all pipe greater than NPS 12 (DN 300) shall not be permitted in pipelines or mains intended to operate at hoop stress levels of 40% or more of the specified minimum yield strength. When dents are removed, the damaged portion of the pipe shall be cut out as a cylinder. Insert patching and pounding out of the dents is prohibited.

(d) *Notches*

(1) Notches on the pipe surface can be caused by mechanical damage in manufacture, transportation, handling, or installation, and when determined to be mechanically caused, shall be treated the same as gouges and grooves [see (a)].

(2) Stress concentrations that may or may not involve a geometrical notch may also be created by a process involving thermal energy in which the pipe surface is heated sufficiently to change its mechanical or metallurgical properties. These imperfections are termed "metallurgical notches." Examples include an arc burn produced by accidental contact with a welding electrode or a grinding burn produced by excessive force on a grinding wheel. Metallurgical notches may result in even more severe stress concentrations than a mechanical notch and shall be prevented or eliminated in all pipelines intended to operate at hoop stress levels of 20% or more of the specified minimum yield strength.

(e) *Elimination of Arc Burns.* The metallurgical notch caused by arc burns shall be removed by grinding, provided the grinding does not reduce the remaining wall thickness to less than the minimum prescribed by this Code for the conditions of use.¹ In all other cases,

¹Complete removal of the metallurgical notch created by an arc burn can be determined as follows: after visible evidence of the arc burn has been removed by grinding, swab the ground area with a 20% solution of ammonium persulfate. A blackened spot is evidence of a metallurgical notch and indicates that additional grinding is necessary.

repair is prohibited, and the portion of pipe containing the arc burn must be cut out as a cylinder and replaced with a good piece. Insert patching is prohibited. Care shall be exercised to ensure that the heat of grinding does not produce a metallurgical notch.

841.2.5 Miscellaneous Operations Involved in the Installation of Steel Pipelines and Mains

(a) *Handling, Hauling, and Stringing.* Care shall be taken in the selection of the handling equipment and in handling, hauling, unloading, and placing the pipe so as not to damage the pipe.

(b) *Installation of Pipe in the Ditch.* On pipelines operating at hoop stress levels of 20% or more of the specified minimum yield strength, it is important that stresses imposed on the pipeline by construction be minimized. Except for offshore pipelines, the pipe shall fit the ditch without the use of external force to hold it in place until the backfill is completed. When long sections of pipe that have been welded alongside the ditch are lowered in, care shall be exercised so as not to jerk the pipe or impose any strains that may kink or put a permanent bend in the pipe. Slack loops are not prohibited by this paragraph where laying conditions render their use advisable.

(c) *Backfilling*

(1) Backfilling shall be performed in a manner to provide firm support under the pipe.

(2) If there are large rocks in the material to be used for backfill, care shall be used to prevent damage to the coating by such means as the use of rock shield material, or by making the initial fill with rock-free material sufficient to prevent damage.

(3) Where the trench is flooded to consolidate the backfill, care shall be exercised to see that the pipe is not floated from its firm bearing on the trench bottom.

841.2.6 Hot Taps. All hot taps shall be installed by trained and experienced crews.

841.2.7 Precautions to Avoid Explosions of Gas-Air Mixtures or Uncontrolled Fires During Construction Operations

(a) Operations such as gas or electric welding and cutting with cutting torches can be safely performed on pipelines, mains, and auxiliary equipment, provided that they are completely full of gas or air that is free from combustible material. Steps shall be taken to prevent a mixture of gas and air at all points where such operations are to be performed.

(b) When a pipeline or main can be kept full of gas during a welding or cutting operation, the following procedures are recommended:

(1) Keep a slight flow of gas moving toward the point where cutting or welding is being done.

(2) Control the gas pressure at the site of the work by a suitable means.

(3) After a cut is made, immediately close all slots or open ends with tape, tightly fitted canvas, or other suitable materials.

(4) Do not permit two openings to remain uncovered at the same time. This is doubly important if the two openings are at different elevations.

(c) Welding, cutting, or other operations that could be a source of ignition shall not be done on a pipeline, main, or auxiliary apparatus that contains air, if it is connected to a source of gas, unless a suitable means has been provided to prevent the formation of an explosive mixture in the work area.

(d) In situations where welding or cutting must be done on facilities that are filled with air and connected to a source of gas, and the precautions recommended above cannot be taken, one or more of the following precautions, depending on circumstances at the jobsite, are suggested:

(1) purging of the pipe or equipment upon which welding or cutting is to be done with an inert gas or continuous purging with air in such a manner that a combustible mixture does not form in the facility at the work area

(2) testing of the atmosphere in the vicinity of the zone to be heated before the work is started and at intervals as the work progresses with a combustible gas indicator or by other suitable means

(3) careful verification before and during the work ensuring that the valves that isolate the work from a source of gas do not leak

(e) *Purging of Pipelines and Mains*

(1) When a pipeline or main is to be placed in service, the air in it shall be displaced. The following are some acceptable methods:

(-a) *Method 1.* Introduce a moderately rapid and continuous flow of gas into one end of the line and vent the air out the other end. The gas flow shall be continued without interruption until the vented gas is free of air.

(-b) *Method 2.* If the vent is in a location where the release of gas into the atmosphere may cause a hazardous condition, then a slug of inert gas shall be introduced between the gas and air. The gas flow shall then be continued without interruption until all of the air and inert gas have been removed from the facility. The vented gases shall be monitored and the vent shall be closed before any substantial quantity of combustible gas is released to the atmosphere.

(2) In cases where gas in a pipeline or main is to be displaced with air and the rate at which air can be supplied to the line is too small to make a procedure similar to but the reverse of that described in (1) feasible, a slug of inert gas should be introduced to prevent the formation of an explosive mixture at the interface between gas and air. Nitrogen or carbon dioxide can be used for this purpose.

(3) If a pipeline or main containing gas is to be removed, the operation may be carried out in accordance with (b), or the line may be first disconnected from all sources of gas and then thoroughly purged with air, water, or inert gas before any further cutting or welding is done.

(4) If a gas pipeline, main, or auxiliary equipment is to be filled with air after having been in service, and there is a reasonable possibility that the inside surfaces of the facility are wetted with volatile inflammable liquid, or if such liquids might have accumulated in low places, purging procedures designed to meet this situation shall be used. Steaming of the facility until all combustible liquids have been evaporated and swept out is recommended. Filling of the facility with an inert gas and keeping it full of such gas during the progress of any work that may ignite an explosive mixture in the facility is an alternative recommendation. The possibility of striking static sparks within the facility must not be overlooked as a possible source of ignition.

(f) Whenever the accidental ignition in the open air of gas-air mixture may be likely to cause personal injury or property damage, precautions, such as the following, shall be taken:

(1) Prohibit smoking and open flames in the area.

(2) Install a metallic bond around the location of cuts in gas pipes to be made by means other than cutting torches.

(3) Take precautions to prevent static electricity sparks.

(4) Provide a fire extinguisher of appropriate size and type, in accordance with NFPA 10.

841.3 Testing After Construction

841.3.1 General Provisions. All piping systems shall be tested after construction to the requirements of this Code except for pre-tested fabricated assemblies and welded tie-in connections where post construction tie-in testing is not practical. (22)

Additionally, single lengths or multiple welded lengths of pipe previously tested in accordance with this Code for the purposes of repair or replacement do not require a post construction retest.

(a) The circumferential welds associated with connecting pretested assemblies, pretested repair pipe lengths or sections, and welded tie-in connections not pressure tested after construction in accordance with para. 841.3.2 or para. 841.3.3 or leak tested after construction in accordance with para. 841.3.4 or para. 841.3.5 shall be examined by radiography, ultrasonics, magnetic particle, or other comparable and accepted nondestructive methods in accordance with paras. 826.3(c) and 826.3(d).

(b) Nonwelded tie-in connections not pressure tested after construction shall be leak tested at not less than the pressure available when the tie-in is placed into service.

(c) Pressure testing with a liquid test medium, typically water (i.e., hydrostatic test), is recommended whenever possible. However, it is recognized that certain conditions may require pneumatic testing. When testing is pneumatic, the test pressure shall not exceed the maximum values stated in [Tables 841.3.2-1](#) and [841.3.3-1](#).

The user is cautioned that the release of stored energy in a pneumatic test failure can be significantly more hazardous than a similar failure with water. When testing pneumatically, a formal risk assessment is recommended, wherein risks are identified, and appropriate mitigating measures and practices are identified and implemented to minimize these additional risks.

When testing with flammable gases, a formal risk assessment shall be prepared and appropriate mitigating measures and practices shall be identified and implemented to minimize the release of flammable gases. In addition, contingency site-specific emergency response plans shall be developed and reviewed with local emergency response agencies for use in the event of an unplanned release of flammable gases.

Further guidance regarding pneumatic testing may be found in ASME PCC-2, Article 501. Testing with a fluid that can undergo a phase change between ambient and test conditions is prohibited.

(d) When pipeline systems are installed in unstable soils or the mass of the test medium contributes to additional stresses in the pipeline system, the stresses and reactions due to expansion, longitudinal pressure, and longitudinal bending shall be investigated prior to testing. This investigation shall confirm that the test pressures and loads do not produce unacceptable stresses, strains, deflections, or other conditions that could adversely impact the ability of the system to perform as required.

(e) Test planning shall consider pressure test medium temperatures and duration of testing operations to limit damage to pipe from freezing of the test medium and prevent detrimental pipeline deformation due to destabilization of permafrost soils.

(f) Each test assembly (a fabrication that is not part of the permanent facility used for filling, pressuring and monitoring the test) shall be designed, fabricated, and installed in accordance with the provisions of this Code. Each test assembly shall be designed to operate at the anticipated maximum test pressure. The operator is encouraged to consider pretesting of the test assembly prior to its use to reduce risk to testing personnel. Pretesting of the test assembly is required when the pressure test is to be conducted with a sour gas medium. Subsequent retesting prior to reuse should be considered if the test assembly is suspected to have undergone damage during or between tests.

(g) Test assemblies should be located considering accessibility, sources of test medium, and the elevation profile of the test segment. Selected locations should

provide testing flexibility while limiting test pressures between the minimum test pressure and the selected maximum test pressure.

(h) Where water is used as the test medium, provisions shall be made to remove residual test water. Residual water could potentially be corrosive or cause operational problems such as freezing at pressure regulating equipment.

Additional information regarding treatment of residual fluids for internal corrosion prevention may be found in International Pipeline Conference paper IPC2012-90308, "Pressure Test Planning to Prevent Internal Corrosion by Residual Fluids."

(i) Prior to placing the pipeline in service, purge with gas to displace the air and remove any potentially explosive air-gas mixture. See [para. 841.2.7\(e\)](#).

841.3.2 Pressure Test Requirements to Prove Strength of Pipelines and Mains to Operate at Hoop Stresses of 30% or More of the Specified Minimum Yield Strength of the Pipe. (22)

The following are pressure test requirements to prove strength of pipelines and mains to operate at hoop stresses of 30% or more of the specified minimum yield strength of the pipe:

(a) The permissible pressure test media are stated in [Table 841.3.2-1](#). The recommended test medium is water. Sour gas as defined in [section B803](#) and flammable gas may only be used for testing purposes in Location Class 1, Division 2 locations. When either of these media are used, the public shall be removed to a safe distance during the test and testing personnel shall be equipped with appropriate personal protective equipment. Both sour gas and flammable gas tests must meet the test pressure limitations per [Table 841.3.3-1](#).

(b) The pressure test medium requirements of [Table 841.3.2-1](#) for the pressure testing of pipelines in Class Locations 3 and 4 need not apply if, at the time the pipelines are first ready for pressure testing, one or both of the following conditions exist:

(1) Ground temperature at pipe depths is sufficiently low during the test to cause the test medium to change state and cause damage or blockage that would damage the pipe or invalidate the test, and use of chemical freeze depressants is not possible.

(2) Approved water of satisfactory quality is not reasonably available in sufficient quantity.

(c) Where one or both of the conditions in (b) exist, it is permissible to pressure test pneumatically with a nonflammable, nontoxic gas, provided that all of the following conditions exist:

(1) The maximum hoop stress during pressure testing is less than 50% of the specified minimum yield strength in Class 3 Locations, and less than 40% of the specified minimum yield strength in Class 4 Locations.

Table 841.3.2-1
Test Requirements for Steel Pipelines and Mains to Operate at Hoop Stresses of 30% or More
of the Specified Minimum Yield Strength of the Pipe

(22)

Location Class	Maximum Design Factor, F	Permissible Test Medium	Pressure Test Prescribed		Maximum Allowable Operating Pressure, the Lesser of
			Minimum	Maximum	
1, Division 1	0.8	Water	$1.25 \times \text{MOP}$	None	TP/1.25 or DP
1, Division 2	0.72	Water	$1.25 \times \text{MOP}$	None	TP/1.25 or DP
	0.72	Air or gas [Note (1)]	$1.25 \times \text{MOP}$	$1.25 \times \text{DP}$	TP/1.25 or DP
2	0.6	Water	$1.25 \times \text{MOP}$	None	TP/1.25 or DP
	0.6	Air [Note (1)]	$1.25 \times \text{MOP}$	$1.25 \times \text{DP}$	TP/1.25 or DP
3 [Note (2)]	0.5	Water [Note (3)]	$1.50 \times \text{MOP}$	None	TP/1.5 or DP
4	0.4	Water [Note (3)]	$1.50 \times \text{MOP}$	None	TP/1.5 or DP

Legend:

DP = design pressure

MOP = maximum operating pressure (not necessarily the maximum allowable operating pressure)

TP = test pressure

GENERAL NOTES:

- (a) This Table defines the relationship between test pressures and maximum allowable operating pressures subsequent to the test. If an operating company decides that the maximum operating pressure will be less than the design pressure, a corresponding reduction in the prescribed test pressure may be made as indicated in the Pressure Test Prescribed, Minimum column. If this reduced test pressure is used, however, the maximum operating pressure cannot later be raised to the design pressure without retesting the line to a higher test pressure. See [paras. 805.2.1, 845.2.2, and 845.2.3](#).
- (b) Gas piping within gas pipeline facilities (e.g., meter stations, regulator stations, vent piping, etc.) is to be tested and the maximum allowable operating pressure qualified in accordance with [para. 841.3](#) and [Tables 841.3.2-1 and 841.3.3-1](#) subject to the appropriate location class, design factor, and test medium criteria.
- (c) When testing pneumatically, the user of this Code is cautioned to evaluate the ability of the piping system to resist propagating brittle or ductile fracture at the maximum stress level to be achieved during the test.

NOTES:

- (1) When pressure testing pneumatically, see [para 841.3.1\(c\)](#), [paras. 841.3.2\(a\) through 841.3.2\(c\)](#), and [Table 841.3.3-1](#).
- (2) Compressor station piping shall be tested with water to Location Class 3 pipeline requirements as indicated in [para. 843.4.1\(c\)](#).
- (3) For exceptions, see [paras. 841.3.2\(b\) and 841.3.2\(c\)](#).

(2) The maximum pressure at which the pipeline is to be operated does not exceed 80% of the maximum field test pressure.

(3) The pipe involved has been confirmed to be fit for service and has a longitudinal weld joint quality factor, E of 1.00 (see [Table 841.1.7-1](#)).

(d) Before being placed in service, a newly constructed pipeline system shall be strength tested for a minimum period of 2 hr at a minimum pressure equal to or greater than that specified in [Table 841.3.2-1](#) after stabilization of temperatures and surges from pressuring operations has been achieved. The minimum pressure shall be obtained and held at the highest elevation in the pipeline system.

(e) Test requirements as a function of Location Class are summarized in [Table 841.3.2-1](#).

(f) In selecting the test pressure, the designer or operating company should be aware of the provisions of [section 854](#) and the relationship between test pressure and operating pressure when the pipeline experiences a future increase in the number of dwellings intended for human occupancy.

(g) Other provisions of this Code notwithstanding, pipelines and mains crossing highways and railroads may be pretested independently or tested in conjunction with the adjoining pipeline segments in the same manner and to the same pressure as the pipeline on each side of the crossing.

(h) Other provisions of this Code notwithstanding, fabricated assemblies, including main line valve assemblies, cross connections, river crossing headers, etc., installed in pipelines in Location Class 1 and designed in accordance with a design factor of 0.60 as required in [para. 841.1.9\(a\)](#), may be pretested independently or tested in conjunction with the adjoining pipeline segments as required for Location Class 1.

(i) Operating companies shall retain, in their files, for the useful life of each pipeline and main, records showing the procedures used and the data developed in establishing the maximum allowable operating pressure of that pipeline or main. Refer to [Nonmandatory Appendix N, section N-7](#) for a list of suggested records for retention.

**Table 841.3.3-1
Maximum Hoop Stress Permissible
During an Air or Gas Test**

Test Medium	Location Class, Percent of Specified Minimum Yield Strength		
	2	3	4
Air or nonflammable nontoxic gas	75	50	40
Flammable gas	30	30	30

GENERAL NOTE: Refer to [para. 841.3.2\(c\)](#).

(22) **841.3.3 Tests Required to Prove Strength for Pipelines and Mains to Operate at Hoop Stress Levels of Less Than 30% of the Specified Minimum Yield Strength of the Pipe, but in Excess of 100 psig (690 kPa).** Steel piping that is to operate at hoop stress levels of less than 30% of the specified minimum yield strength in Class 1 Locations shall at least be tested in accordance with [para. 841.3.4](#). In Class 2, 3, and 4 Locations, such piping shall be tested in accordance with [Table 841.3.2-1](#), except that testing may be pneumatic within the maximum limits set in [Table 841.3.3-1](#).

(22) **841.3.4 Leak Tests for Pipelines or Mains to Operate at 100 psig (690 kPa) or More**

(a) Each pipeline and main shall be tested after construction and before being placed in operation to demonstrate that it does not leak. If the test indicates that a leak exists, the leak or leaks shall be located and eliminated, unless it can be determined that no undue hazard to public safety exists.

(b) The test procedure used shall be capable of disclosing all leaks in the section being tested and shall be selected after giving due consideration to the volumetric content of the section and to its location. This requires the exercise of responsible and experienced judgement, rather than numerical precision.

(c) In all cases where a line is to be stressed in a strength proof test to a hoop stress level of 20% or more of the specified minimum yield strength of the pipe, and testing is pneumatic, a leak test shall be made at a pressure in the range from 100 psig (690 kPa) to that required to produce a hoop stress of 20% of the minimum specified yield, or the line shall be walked while the hoop stress is held at approximately 20% of the specified minimum yield.

841.3.5 Leak Tests for Pipelines and Mains to Operate at Less Than 100 psig (690 kPa)

(a) Each pipeline, main, and related equipment that will operate at less than 100 psi (690 kPa) shall be tested after construction and before being placed in operation to demonstrate that it does not leak.

(b) Gas may be used as the test medium at the maximum pressure available in the distribution system at the time of the test. In this case, the soap bubble test may be used to locate leaks if all joints are accessible during the test.

(c) Testing at available distribution system pressures as provided for in (b) may not be adequate if substantial protective coatings are used that would seal a split pipe seam. If such coatings are used, the leak test pressure shall be 100 psig (690 kPa).

841.3.6 Safety During Tests. All testing of pipelines and mains after construction shall be done with due regard for the safety of employees and the public during the test. When air or gas is used, suitable steps shall be taken to keep persons not working on the testing operations out of the testing area when the hoop stress is first raised from 50% of the specified minimum yield to the maximum test stress, and until the pressure is reduced to the maximum operating pressure.

841.4 Commissioning of Facilities

841.4.1 General. Written procedures shall be established for commissioning. Procedures shall consider the characteristics of the gas to be transported, the need to isolate the pipeline from other connected facilities, and the transfer of the constructed pipeline to those responsible for its operation.

Commissioning procedures, devices, and fluids shall be selected to ensure that nothing is introduced into the pipeline system that will be incompatible with the gas to be transported, or with the materials in the pipeline components.

841.4.2 Cleaning and Drying Procedures. Consideration shall be given to the need for cleaning and drying the pipe and its components beyond that required for removal of the test medium.

841.4.3 Functional Testing of Equipment and Systems. As a part of commissioning, all pipeline and compressor station monitor and control equipment and systems shall be fully function-tested, especially including safety systems such as pig trap interlocks, pressure and flow-monitoring systems, and emergency pipeline shutdown systems. Consideration should also be given to performing a final test of pipeline valves before the gas is introduced to ensure that each valve is operating correctly.

841.4.4 Start-Up Procedures and Introduction of Transported Gas. Written start-up procedures shall be prepared before introducing the transported gas into the system and shall require the following:

- (a) the system be mechanically complete and operational
- (b) all functional tests be performed and accepted

- (c) all necessary safety systems be operational
- (d) operating procedures be available
- (e) a communications system be established
- (f) transfer of the completed pipeline system to those responsible for its operation

841.4.5 Documentation and Records. The following commissioning records shall be maintained as permanent records:

- (a) cleaning and drying procedures
- (b) cleaning and drying results
- (c) function-testing records of pipeline monitoring
- (d) control equipment systems
- (e) completed prestart checklist

842 OTHER MATERIALS

842.1 Ductile Iron Piping Systems Requirements

842.1.1 Ductile Iron Pipe Design

(a) *Determination of Required Wall Thickness.* Ductile iron pipe shall be designed in accordance with the methods set forth in ANSI/AWWA C150/A21.50.

(b) *Allowable Values of s and f.* The values of design hoop stress, *s*, and design bending stress, *f*, at the bottom of the pipe, to be used in the equations given in ANSI/AWWA C150/A21.50, are

$$s = 16,800 \text{ psi (116 MPa)}$$

$$f = 36,000 \text{ psi (248 MPa)}$$

(c) *Standard Ductile Iron Strength and Conformance to ANSI A21.52.* Ductile iron pipe shall be (60-42-10) grade and shall conform to all requirements of ANSI A21.52. Grade (60-42-10) ductile iron has the following mechanical properties:

Property	Parameter
Minimum tensile strength	60,000 psi (414 MPa)
Minimum yield strength	42,000 psi (290 MPa)
Minimum elongation	10%

(d) *Allowable Thickness for Ductile Iron Pipe.* The least ductile iron pipe thicknesses permitted are the lightest standard class for each nominal pipe size as shown in ANSI A21.52. Standard wall thicknesses for 250 psig (1 720 kPa) maximum working pressure and standard laying conditions at several depths of cover are shown in Table 842.1.1-1.

(e) Ductile Iron Pipe Joints

(1) *Mechanical Joints.* Ductile iron pipe with mechanical joints shall conform to the requirements of ANSI A21.52 and ANSI/AWWA C111/A21.11. Mechanical joints shall be assembled in accordance with "Notes on

Installation of Mechanical Joints" in ANSI/AWWA C111/A21.11.

(2) *Other Joints.* Ductile iron pipe may be furnished with other types of joints provided they are properly qualified and meet the appropriate provisions of this Code. Such joints shall be assembled in accordance with applicable standards or in accordance with the manufacturer's written recommendations.

(3) *Threaded Joints.* The use of threaded joints to couple lengths of ductile iron pipe is not recommended.

842.1.2 Installation of Ductile Iron Pipe

(a) *Laying.* Ductile iron pipe shall be laid in accordance with the applicable field conditions described in ANSI/AWWA C150/A21.50.

(b) *Cover.* Underground ductile iron pipe shall be installed with a minimum cover of 24 in. (610 mm) unless prevented by other underground structures. Where sufficient cover cannot be provided to protect the pipe from external loads or damage and the pipe is not designed to withstand such external loads, the pipe shall be cased or bridged to protect the pipe.

(c) *Joint Restraint.* Suitable harnessing or buttressing shall be provided at points where the main deviates from a straight line and the thrust, if not restrained, would separate the joints.

(d) *Making Ductile Iron Field Joints.* Ductile iron pipe joints shall conform to para. 842.1.1(e) and shall be assembled according to recognized American National Standards or in accordance with the manufacturer's written recommendations.

842.1.3 Testing Ductile Iron Field Joints. Ductile iron pipe joints shall be leak tested in accordance with para. 841.3.4 or para. 841.3.5.

842.2 Design of Plastic Piping

(22)

General Provisions. The design requirements of this section are intended to limit the use of plastic piping primarily to mains and service lines in typical polyvinyl chloride (PVC) distribution systems² operating at a pressure of 100 psig (690 kPa) or less, polyethylene (PE) distribution systems operating at a pressure of 125 psig (860 kPa) or less, and polyamide-11 (PA-11) distribution systems operating at pressures up to the design pressure of the material as determined by the formulas in para. 841.2.1. For other applications in Class 1 or Class 2 Locations, plastic piping may be used within the limitations prescribed in this Code. For multilayered reinforced thermoplastic piping systems (MRTPS), refer to para. 842.5. Plastic piping shall meet the requirements of a specification listed in Mandatory Appendix A.

² Under ASTM D2513, PVC piping may be used only for repair and maintenance of existing PVC installations.

**Table 842.1.1-1
Standard Thickness Selection Table for Ductile Iron Pipe**

Nominal Pipe Size, NPS (DN)	Laying Condition	Thickness, in. (mm), for Depth of Cover, ft (m)							
		2½	3½	5	8	12	16	20	24
3 (75)	A	0.28 (7.1)	0.28 (7.1)	0.28 (7.1)	0.28 (7.1)	0.28 (7.1)	0.28 (7.1)	0.28 (7.1)	0.28 (7.1)
	B	0.28 (7.1)	0.28 (7.1)	0.28 (7.1)	0.28 (7.1)	0.28 (7.1)	0.28 (7.1)	0.28 (7.1)	0.28 (7.1)
4 (100)	A	0.29 (7.4)	0.29 (7.4)	0.29 (7.4)	0.29 (7.4)	0.29 (7.4)	0.29 (7.4)	0.29 (7.4)	0.29 (7.4)
	B	0.29 (7.4)	0.29 (7.4)	0.29 (7.4)	0.29 (7.4)	0.29 (7.4)	0.29 (7.4)	0.29 (7.4)	0.29 (7.4)
6 (150)	A	0.31 (7.9)	0.31 (7.9)	0.31 (7.9)	0.31 (7.9)	0.31 (7.9)	0.31 (7.9)	0.31 (7.9)	0.31 (7.9)
	B	0.31 (7.9)	0.31 (7.9)	0.31 (7.9)	0.31 (7.9)	0.31 (7.9)	0.31 (7.9)	0.31 (7.9)	0.31 (7.9)
8 (200)	A	0.33 (8.4)	0.33 (8.4)	0.33 (8.4)	0.33 (8.4)	0.33 (8.4)	0.33 (8.4)	0.33 (8.4)	0.33 (8.4)
	B	0.33 (8.4)	0.33 (8.4)	0.33 (8.4)	0.33 (8.4)	0.33 (8.4)	0.33 (8.4)	0.33 (8.4)	0.33 (8.4)
10 (250)	A	0.35 (8.9)	0.35 (8.9)	0.35 (8.9)	0.35 (8.9)	0.35 (8.9)	0.35 (8.9)	0.38 (9.7)	0.38 (9.7)
	B	0.35 (8.9)	0.35 (8.9)	0.35 (8.9)	0.35 (8.9)	0.35 (8.9)	0.35 (8.9)	0.38 (9.7)	0.38 (9.7)
12 (300)	A	0.37 (9.4)	0.37 (9.4)	0.37 (9.4)	0.37 (9.4)	0.37 (9.4)	0.37 (9.4)	0.40 (10.2)	0.43 (10.9)
	B	0.37 (9.4)	0.37 (9.4)	0.37 (9.4)	0.37 (9.4)	0.37 (9.4)	0.37 (9.4)	0.40 (10.2)	0.40 (10.2)
14 (350)	A	0.36 (9.1)	0.36 (9.1)	0.36 (9.1)	0.36 (9.1)	0.39 (9.9)	0.42 (10.7)	0.45 (11.4)	0.45 (11.4)
	B	0.36 (9.1)	0.36 (9.1)	0.36 (9.1)	0.36 (9.1)	0.36 (9.1)	0.42 (10.7)	0.42 (10.7)	0.45 (11.4)
16 (400)	A	0.37 (9.4)	0.37 (9.4)	0.37 (9.4)	0.37 (9.4)	0.40 (10.2)	0.43 (10.9)	0.46 (11.7)	0.49 (12.4)
	B	0.37 (9.4)	0.37 (9.4)	0.37 (9.4)	0.37 (9.4)	0.40 (10.2)	0.43 (10.9)	0.46 (11.7)	0.49 (12.4)
18 (450)	A	0.38 (9.7)	0.38 (9.7)	0.38 (9.7)	0.38 (9.7)	0.41 (10.4)	0.47 (11.9)	0.50 (12.7)	0.53 (13.5)
	B	0.38 (9.7)	0.38 (9.7)	0.38 (9.7)	0.38 (9.7)	0.41 (10.4)	0.44 (11.2)	0.47 (11.9)	0.53 (13.5)
20 (500)	A	0.39 (9.9)	0.39 (9.9)	0.39 (9.9)	0.39 (9.9)	0.45 (11.4)	0.48 (12.2)	0.54 (13.7)	...
	B	0.39 (9.9)	0.39 (9.9)	0.39 (9.9)	0.39 (9.9)	0.42 (10.7)	0.48 (12.2)	0.51 (13.0)	...
24 (600)	A	0.44 (11.2)	0.41 (10.4)	0.41 (10.4)	0.44 (11.2)	0.50 (12.7)	0.56 (14.2)
	B	0.41 (10.4)	0.41 (10.4)	0.41 (10.4)	0.41 (10.4)	0.47 (11.9)	0.53 (13.5)

GENERAL NOTES:

- (a) This Table is taken from ANSI A21.52.
- (b) Laying Condition A: flat-bottom trench without blocks, untamped backfill.
- (c) Laying Condition B: flat-bottom trench without blocks, tamped backfill.
- (d) The thicknesses in this table are equal to or in excess of those required to withstand 250 psi (1 720 kPa) working pressure.
- (e) All thicknesses shown in this table for the depths of cover indicated are adequate for trench loads, including truck superloads.
- (f) For the basis of design, see ANSI/AWWA C150/A21.50.
- (g) Thread engagement in taps for service connections and bag holes may require consideration in selecting pipe thicknesses. See Appendix of ANSI A21.52.

- (22) **842.2.1 Plastic Pipe and Tubing Design Formula.** The design pressure for plastic gas piping systems or the nominal wall thickness for a given design pressure (subject to the limitations in [para. 842.2.2](#)) shall be determined by the following formulas:

(U.S. Customary Units)

$$P = \frac{2S}{(\text{SDR}) - 1} \times D_f$$

or

$$P = \frac{2St}{D - t} \times D_f$$

(SI Units)

$$P = \frac{2000S}{(\text{SDR}) - 1} \times D_f$$

or

$$P = \frac{2000St}{D - t} \times D_f$$

where

D = specified outside diameter, in. (mm), in the case of reinforced thermosetting plastic (RTP) pipe, the specified outside diameter of the reinforced thermoset layer

D_f = design factor = 0.32 or 0.40 for PA-11. The design factor is a number less than or equal to 1 that is multiplied by the calculated maximum pressure to obtain the design pressure.

DR = dimension ratio, the ratio of the specified outside diameter to the specified minimum wall thickness

P = design pressure, gage, psig (kPa)

S = for thermoplastic pipe, hydrostatic design basis (HDB) determined in accordance with ASTM D2837 at a temperature equal to 73°F (23°C), 100°F (38°C), 120°F (49°C), 140°F (60°C), or 180°F (82°C). In the absence of a HDB established at the specified temperature, the HDB of a higher temperature may be used in determining a design pressure rating at the specified temperature by arithmetic interpolation using the procedure in Part D.2 of PPI TR-3. For RTP pipe NPS 6 (DN 150) and below, used in Class 1 and 2 locations, the HDB determined in accordance with the listed specification. For all other RTP pipe, use 11,000 psi (76 MPa).

SDR = standard dimension ratio, the ratio of the specified outside diameter to the specified minimum wall thickness, corresponding to a value from a common numbering system that was derived from the ANSI preferred number series R10. In the case of RTP pipe, SDR is the ratio of

the average outside diameter of the reinforced thermoset layer to the specified minimum wall thickness of the reinforced thermoset layer. DR may be substituted for SDR in this calculation when the dimension ratio is not an above defined "standard" dimension ratio.

t = specified minimum wall thickness, in. (mm), in the case of RTP pipe, the specified minimum wall thickness of the reinforced thermoset layer

NOTE: Long-term hydrostatic strength at 73°F (23°C) for the plastic materials whose specifications are incorporated by reference herein are given in [Mandatory Appendix D](#).

842.2.2 Thermoplastic Design Limitations

(a) Except as provided in (e) and (f), the design pressure may not exceed a gage pressure of 100 psig (689 kPa) for plastic pipe used in

(1) distribution systems

(2) Location Classes 3 and 4

(b) Plastic pipe shall not be used where the design temperature of the pipe will be

(1) below -40°F (-40°C). In no case shall the pipe or piping components be used in applications beyond the manufacturer's recommended ratings for the pipe or piping component.

(2) above the temperature at which the HDB used in the design formula is determined.

(c) The value of t for thermoplastic pipe shall not be less than that specified in ASTM D2513.

(d) For saddle-type service connections made by heat-fusion techniques, it may be necessary for some materials that are intended for use at high operating pressures to require a heavier wall thickness than defined by the pressure design formula for sizes NPS 2 (DN 50) and smaller. Manufacturers of the specific pipe material should be contacted for recommendations or a qualified procedure shall be used.

(e) The design pressure for PE pipe may exceed a gage pressure of 100 psig (689 kPa), provided that

(1) the design pressure does not exceed 125 psig (862 kPa)

(2) the material is a PE material as specified within ASTM D2513

(3) the pipe size is NPS 12 (DN 300) or smaller

(4) the design pressure is determined in accordance with the design equation defined in [para. 842.2.1](#)

(f) Polyamide-11 (PA-11) pipe may be operated at pressures up to its design pressure as determined in accordance with the design equation defined in [para. 842.2.1](#).

842.2.3 Reinforced Thermosetting Plastic (RTP) Design Limitations

(a) The value of P for RTP mains and service lines in Class 3 and 4 Locations shall not exceed 100 psig (689 kPa) except as prescribed in (d).

(b) Reinforced thermosetting plastic pipe and fittings shall not be used where operating temperatures will be below -20°F (-29°C) or above 150°F (66°C) and, if recommended by the manufacturer, up to 180°F (82°C).

(c) The wall thickness for RTP pipe shall not be less than that specified in ASTM D2517.

(d) RTP pipe may be operated at pressures up to its design pressure as determined in accordance with the equation in [para. 842.2.1](#).

- (22) **842.2.4 Design Pressure of Plastic Fittings.** The maximum pressure rating for fittings shall be the same value as the maximum design pressure of the corresponding specified outside diameter and specified minimum wall thickness as indicated in the referenced standard for the fittings and as determined in [paras. 842.2.1](#) and [842.2.2](#). The manufacturer should be consulted for advice on maximum pressure ratings for fittings not covered by referenced standards.

842.2.5 Valves in Plastic Piping

(a) Valves in plastic piping may be made of any suitable material and design permitted by this Code. Thermoplastic valves shall comply with ASTM D2513 and ASME B16.40.

(b) Valve installations in plastic piping shall be so designed as to protect the plastic material against excessive torsional or shearing loads when the valve or shutoff is operated, and from any other secondary stresses that might be exerted through the valve or its enclosure.

842.2.6 Protection From Hazards. Plastic piping shall conform to the applicable provisions of [para. 841.1.10](#).

842.2.7 Cover and Casing Requirements Under Railroads, Roads, Streets, or Highways. Plastic piping shall conform to the applicable requirements of [paras. 841.1.11\(a\)](#) and [841.1.11\(d\)](#). Where plastic piping must be cased or bridged, suitable precautions shall be taken to prevent crushing or shearing of the piping. (See also [para. 842.3.3](#).)

842.2.8 Clearance Between Mains and Other Underground Structures. Plastic piping shall conform to the applicable provisions of [para. 841.1.11\(c\)](#). Sufficient clearance shall be maintained between plastic piping and steam, hot water, or power lines and other sources of heat to prevent operating temperatures in excess of the limitations of [para. 842.2.2\(b\)](#) or [para. 842.2.3\(b\)](#).

842.2.9 Plastic Pipe and Tubing Joints and Connections

(a) *General Provisions.* Plastic pipe, tubing, and fittings may be joined by the solvent cement method, adhesive method, heat-fusion method, or by means of compression couplings or flanges. The method used must be compatible with the materials being joined. The recommendations of the manufacturer shall be considered when determining the method to be used.

(b) Joint Requirements

(1) Pipe or tubing shall not be threaded.

(2) Solvent cement joints, adhesive joints, and heat-fusion joints shall be made in accordance with qualified procedures that have been established and proven by test to produce gas-tight joints at least as strong as the pipe or tubing being joined.

(3) Joints shall be made by personnel qualified by training or experience in the proper procedures required for the type of joint involved.

(4) Solvent cement shall be used only on PVC joints.

(5) Heat-fusion or mechanical joints shall be used when joining polyethylene or polyamide-11 pipe, tubing, or fittings. PA-11 components may be joined to PA-11 components, and PE components may be joined to PE components. PE and PA-11 components shall not be heat fused to each other. Polyethylene components made of different grades of materials may be heat fused, provided that properly qualified procedures for joining the specific components are used. Any combination of PE materials with an ASTM D2513, Table 4, Pipe Category, melt index category C may be joined by heat-fusion procedures such as those detailed in PPI TR-33. The Plastics Pipe Institute (PPI) publishes the following generic heat-fusion procedures:

(-a) TR-33, Generic Butt Fusion Joining Procedure for Polyethylene Gas Piping

(-b) TR-41, Generic Saddle Fusion Joining Procedure for Polyethylene Gas Piping

(-c) TR-45, Butt Fusion Joining Procedure for Field Joining of Polyamide-11 (PA-11) Pipe

Fusion of PE components with different melt categories may require "dissimilar fusion" procedures provided by the manufacturer.

(6) Flanges or special joints may be used provided they are properly qualified and used in accordance with the appropriate provisions of this Code.

(c) Solvent Cement Joints

(1) Square cut ends free of burrs are required for a proper socket joint.

(2) Proper fit between the pipe or tubing and mating socket or sleeve is essential to a good joint. Sound joints cannot normally be made between loose or very tight-fitting components.

(3) The mating surfaces must be clean, dry, and free of material that may be detrimental to the joint.

(4) Solvent cements that conform to ASTM D2513 and are recommended by the pipe or tubing manufacturer shall be used to make cemented joints.

(5) A uniform coating of the solvent cement is required on both mating surfaces. After the joint is made, excess cement shall be removed from the outside of the joint. The joint shall not be disturbed until it has properly set.

(6) The solvent cement and piping components to be joined may be conditioned prior to assembly by warming if done in accordance with the manufacturer's recommendations.

(7) A solvent cement joint shall not be heated to accelerate the setting of the cement.

(8) Safety requirements in Appendix A of ASTM D2513 shall be followed when solvent cements are used.

(d) *Heat-Fusion Joints*

(1) Sound butt heat-fusion joints require the use of a jointing device that holds the heater element square to the ends of the piping, can compress the heated ends together, and holds the piping in proper alignment while the plastic hardens.

(2) Sound socket heat-fusion joints require the use of a jointing device that heats the mating surfaces of the joint uniformly and simultaneously to essentially the same temperature. The completed joint must not be disturbed until properly set.

(3) Care must be used in the heating operation to prevent damage to the plastic material from overheating or having the material not sufficiently heated to ensure a sound joint. Direct application of heat with a torch or other open flame is prohibited.

(4) When connecting saddle-type fittings to pipe NPS 2 (DN 50) and smaller, see [para. 842.2.2\(e\)](#) to minimize the possibility of failures.

(e) *Adhesive Joints*

(1) Adhesives that conform to ASTM D2517 and are recommended by the pipe, tubing, or fitting manufacturer shall be used to make adhesive bonded joints.

(2) When dissimilar materials are bonded together, a thorough investigation shall be made to determine that the materials and adhesive used are compatible with each other.

(3) An adhesive bonded joint may be heated in accordance with the pipe manufacturer's recommendation to accelerate cure.

(4) Provisions shall be made to clamp or otherwise prevent the joined materials from moving until the adhesive is properly set.

(22) (f) *Mechanical Joints*³

(1) When compression-type mechanical joints are used, the elastomeric gasket material in the fitting shall be compatible with the plastic (i.e., the plastic

and the elastomer shall not cause deterioration in one another's chemical and physical properties over a long period).

(2) The tubular stiffener required to reinforce the end of the pipe or tubing shall extend at least under that section of the pipe being compressed by the gasket or gripping material. The stiffener shall be free of rough or sharp edges and shall not be a force fit in the pipe or tube. Split tubular fittings shall not be used.

(3) Since pullout resistance of compression-type fittings varies with type and size, all mechanical joints shall be designed and installed to effectively sustain the longitudinal pullout forces caused by contraction of the piping or by maximum anticipated external loading. The installation shall be designed and made to minimize these forces as follows:

(-a) In the case of direct burial when the pipe is sufficiently flexible, the pipe may be snaked in the ditch.

(-b) In the case of pipe installed by insertion in casing, the pipe shall be pushed rather than pulled into place so as to place it in compression rather than tension.

(-c) Allowance shall be made for thermal expansion and contraction due to seasonal changes in temperature of installed pipe. The importance of this allowance increases as the length of the installation increases. Such allowance is of paramount importance when the plastic pipe is used for insertion renewal inside another pipe, because it is not restrained by earth loading. This allowance may be accomplished by appropriate combinations of

(-1) offsets

(-2) anchoring

(-3) aligning the pipe and fitting

(-4) in the case of compression, fittings by the use of long-style types and placement of the pipe in slight axial compression

(-5) expansion-contraction devices, or

(-6) fittings designed to prevent pullout

Typical coefficients of thermal expansion, which may be used to make calculations, are given in [Table 842.2.9-1](#).

842.3 Installation of Plastic Piping

842.3.1 Construction Specifications. All construction work performed on piping systems in accordance with the requirements of this Code shall be done using construction specifications. The construction specifications shall cover the requirements of this Code and shall be in sufficient detail to ensure proper installation.

842.3.2 Inspection and Handling Provisions. Plastic piping components are susceptible to damage by mishandling. Gouges, cuts, kinks, or other forms of damage may cause failure. Care shall be exercised during handling and installation to prevent such damage.

³ Refer to the current editions of the AGA Catalog No. XR0603, ASTM D2513, ANSI/GPTC Z380.1, and technical publications of plastic pipe and fitting manufacturers.

Table 842.2.9-1
Nominal Values for Coefficients of Thermal Expansion of
Thermoplastic Pipe Materials

General Material Designation	Nominal Coefficients of Thermal Expansion ASTM D696, $\times 10^{-5}$ in./in./°F ($\times 10^{-5}$ mm/mm/°C)
PA 32312 (PA-11)	8.5 (4.3)
PA 32316 (PA-11)	8.5 (4.3)
PE 2406	9.0 (5.0)
PE 2606	10.0 (5.6)
PE 2706	10.0 (5.6)
PE 2708	10.0 (5.6)
PE 3408	9.0 (5.0)
PE 3608	9.0 (5.0)
PE 3708	9.0 (5.0)
PE 3710	9.0 (5.0)
PE 4708	9.0 (5.0)
PE 4710	9.0 (5.0)
PVC 1120	3.0 (1.7)
PVC 1220	3.5 (1.9)
PVC 2116	4.0 (2.2)

GENERAL NOTES:

- (a) Individual compounds may differ from values in this table as much as $\pm 10\%$. More exact values for specific commercial products may be obtained from the manufacturers.
- (b) Abbreviations: PA-11 = polyamide-11, PE = polyethylene, PVC = polyvinyl chloride.

(a) Plastic pipe and tubing shall be carefully inspected for cuts, scratches, gouges, and other imperfections before use, and any pipe or tubing containing harmful imperfections shall be rejected.

(b) Each installation shall be field inspected to detect harmful imperfections. Any such imperfections found shall be eliminated.

(c) Skillful application of qualified techniques and the use of proper materials and equipment in good condition are required to achieve sound joints in plastic piping by the solvent cement, adhesive, or heat-fusion methods. Inspection provisions shall be checked visually. If there is any reason to believe the joint is defective, it shall be removed and replaced.

(d) Care shall be exercised to avoid rough handling of plastic pipe and tubing. It shall not be pushed or pulled over sharp projections or dropped, or it shall not have other objects dropped on it. Care shall be taken to prevent kinking or buckling, and any kinks or buckles that occur shall be removed by cutting out as a cylinder.

(e) Care shall be exercised at all times to protect the plastic material from fire, excessive heat, or harmful chemicals.

(f) Plastic pipe and tubing shall be adequately supported during storage. Thermoplastic pipe, tubing, and fittings shall be protected from long-term exposure to direct sunlight.

842.3.3 Installation Provisions

(a) *Aboveground Installation.* Plastic piping may be installed aboveground if it is one of the following:

(1) encased in metal pipe that is protected against atmospheric corrosion; protected against deterioration (e.g., high-temperature degradation); and protected against external damage

(2) installed on a bridge in accordance with GRI Report 00/0154, Design Guide for Pipes Across Bridges

(3) installed for plastic service lines as permitted in [para. 849.4.2\(b\)](#)

Plastic pipe shall not be used to support external loads. Encased plastic pipe shall be able to withstand anticipated temperatures without deteriorating or decreasing in strength below the design limitations stated in [paras. 842.2.2](#) and [842.2.3](#). When protecting against external damage, consideration shall be given to the need to isolate the encased segment and to safely vent or contain gas that may escape the plastic pipe in the event of a leak or rupture.

(b) *Belowground Installation.* Plastic piping shall not be installed in vaults or any other below-grade enclosure unless it is completely encased in gas-tight metal pipe and metal fittings having adequate corrosion protection.

(c) *Stresses.* Plastic piping shall be installed in such a way that shear or tensile stresses resulting from construction, backfill, thermal contraction, or external loading are minimized. [See [para. 842.2.9\(f\)](#).]

(d) *Direct Burial*

(1) Plastic piping shall be laid on undisturbed or well-compacted soil. If plastic piping is to be laid in soils that may damage it, the piping shall be protected by suitable rock-free materials before backfilling is completed. Plastic piping shall not be supported by blocking. Well-tamped earth or other continuous support shall be used.

(2) The piping shall be installed with sufficient slack to provide for possible contraction. Cooling may be necessary before the last connection is made under extremely high-temperature conditions. [See [para. 842.2.9\(f\)](#).]

(3) When long sections of piping that have been assembled alongside the ditch are lowered in, care shall be exercised to avoid any strains that may overstress or buckle the piping or impose excessive stress on the joints.

(4) Backfilling shall be performed in a manner to provide firm support around the piping. The material used for backfilling shall be free of large rocks, pieces of pavement, or any other materials that might damage the pipe.

(5) Where flooding of the trench is done to consolidate the backfill, care shall be exercised to see that the piping is not floated from its firm bearing on the trench bottom.

(6) A positive method of locating plastic piping systems is required. A common method is the installation of electrically conductive material, such as tracer wire or plastic coated metallic tape with the plastic pipe to facilitate locating it with an electronic pipe locator. Alternative proven locating methods may be used.

(e) *Insertion of Casing*

(1) The casing pipe shall be prepared to the extent necessary to remove any sharp edges, projections, or abrasive material that could damage the plastic during and after insertion.

(2) Plastic pipe or tubing shall be inserted into the casing pipe in such a manner so as to protect the plastic during the installation. The leading end of the plastic shall be closed before insertion. Care shall be taken to prevent the plastic piping from bearing on the end of the casing.

(3) The portion of the plastic piping exposed due to the removal of a section of the casing pipe shall be of sufficient strength to withstand the anticipated external loading, or it shall be protected with a suitable bridging piece capable of withstanding the anticipated external loading.

(4) The portion of the plastic piping that spans disturbed earth shall be adequately protected by a bridging piece or other means from crushing or shearing from external loading or settling of backfill.

(5) The piping shall be installed to provide for possible contraction. Cooling may be necessary before the last connection is made when the pipe has been installed in hot or warm weather. [See [para. 842.2.9\(f\)](#).]

(6) If water accumulates between the casing and the carrier pipe where it may be subjected to freezing temperatures, the carrier pipe can be constricted to the point where the capacity is affected or the pipe wall could be crushed and leak. To avoid this, one or more of the following steps shall be taken:

(-a) The annulus between the carrier pipe and casing shall be kept to a minimum so that the increased volume of water changing to ice will be insufficient to crush the carrier pipe.

(-b) Adequate draining for the casing shall be provided.

(-c) Filler such as foam shall be inserted into the annulus between the casing and the carrier pipe.

(f) *Trenchless Installations — Plastic Pipe.* For general installation requirements, see [para. 841.1.9\(j\)](#). In addition, the following measures shall also be taken for trenchless installations of plastic pipe:

(1) *Protecting Pipe*

(-a) Precautions shall be taken to avoid pushing or pulling the exposed pipe string over sharp objects or abrasive surfaces that may damage the pipe during installation.

(-b) Visual inspection of the exposed pipe surface shall be performed before and after installation. This would include any exposed pipe sections at the pulling head and at holes dug for test pits, tie-ins, and branch or service connections. If damage (e.g., scratches, gouges, etc.) exceeds 10% of the nominal wall thickness, then the pipe shall be replaced in its entirety.

(-c) Measures shall be taken to prevent overstressing plastic pipe during trenchless installations. These measures may include monitoring of the pulling force, use of a weak link at the pulling head, or other methods. For further information, see *Handbook of Polyethylene Pipe*.

(-d) For locating the pipe with an electronic pipe locator, a tracer wire shall be pulled in with the piping, but with minimal physical contact with the pipe.

(2) *Additional Evaluation Measures.* The minimum inspection and post-inspection testing requirements elsewhere in this Code shall be employed.

842.3.4 Bends and Branches. Changes in direction of plastic piping may be made with bends, tees, or elbows under the following limitations: (22)

(a) Plastic pipe and tubing may be deflected to a radius not less than the minimum recommended by the manufacturer for the kind, type, grade, specified minimum wall thickness, and diameter of the particular plastic used.

(b) The bends shall be free of buckles, cracks, or other evidence of damage.

(c) Changes in direction that cannot be made in accordance with (a) shall be made with elbow-type fittings.

(d) Field-fabricated miter fittings are not permitted.

(e) Branch connections shall be made only with socket-type tees or other suitable fittings specifically designed for the purpose.

842.3.5 Field Repairs of Gouges and Punctures. Injurious gouges or punctures shall be removed by cutting out and replacing the damaged portion as a cylinder or repaired in accordance with [para. 852.5.2](#).

842.3.6 Hot Taps. All hot taps shall be installed by trained and experienced crews.

842.3.7 Purging. Purging of plastic mains and service lines shall be done in accordance with the applicable provisions of [paras. 841.2.7\(e\)](#) and [841.2.7\(f\)](#).

842.4 Testing Plastic Piping After Construction

842.4.1 General Provisions

(a) *Pressure Testing.* All plastic piping shall be pressure tested after construction and before being placed in operation to demonstrate that it does not leak.

(b) *Tie-Ins.* Because it is sometimes necessary to divide a pipeline or main into sections for testing, and to install test heads, connecting piping, and other necessary appurtenances, it is not required that the tie-in sections of piping

be tested. The tie-in joints, however, shall be tested for leaks at line pressure.

(22) **842.4.2 Test Requirements**

(a) The test procedure used, including the duration of the test, shall be capable of disclosing all leaks in the section being tested and shall be selected after giving due consideration to the volumetric content of the section and its location.

(b) Thermoplastic piping shall not be tested at material temperatures above 140°F (60°C), and reinforced thermosetting plastic piping shall not be tested at material temperatures above 150°F (66°C). The duration of the test of thermoplastic piping above 100°F (38°C), however, shall not exceed 96 hr.

(c) Sufficient time for joints to “set” properly must be allowed before the test is initiated.

(d) Plastic pipelines and mains shall be tested at a pressure not less than 1.5 times the maximum operating pressure or 50 psig (340 kPa), whichever is greater, except that

(1) the test pressure for reinforced thermosetting plastic piping shall not exceed 3.0 times the design pressure of the pipe

(2) the test pressure for thermoplastic piping shall not exceed 3.0 times the design pressure of the pipe at temperatures up to and including 100°F (38°C) or 2.0 times the design pressure at temperatures exceeding 100°F (38°C)

(e) Testing may be pneumatic or hydrostatic.

842.4.3 Safety During Tests. All testing after construction shall be done with due regard for the safety of employees and the public during the test.

(22) **842.5 Multilayered Reinforced Thermoplastic Piping Systems (MRTPS)**

The requirements of this section pertain to MRTPS that are composed of pipes with a thermoplastic liner and a distinct reinforcing layer as defined in ASME NM.1, Chapter 8. The manufacturing and qualification of MRTPS, including the joints or couplings, shall meet the requirements of API Spec 15S.

842.5.1 Design of MRTPS

(a) *General Provisions.* The design shall meet the requirements of ASME NM.1 with the following limitations:

(1) MRTPS shall not be used outside of Class 1 Locations unless a more rigorous analysis in accordance with the provisions of [para. 802.2.2\(a\)](#) is used to define the appropriate design factor for the intended location class.

(2) MRTPS that carry potentially flammable or explosive fluids that can accumulate static electrical charge shall be designed to prevent the buildup of static electric charge. API RP 2003 should be consulted for recommended practices on the prevention methods.

(b) *MRTPS MAOP.* The maximum allowable operating pressure (MAOP) of MRTPS shall be determined by the following formula:

$$MAOP \leq NPR \times F_s$$

where

F_s = service factor is 0.67 or less to provide additional protection based on service conditions

MAOP = maximum allowable operating pressure, psig (kPa)

NPR = nominal pressure rating of the MRTPS, per API Spec 15S, psig (kPa)

842.5.2 Installation of MRTPS. The installation of MRTPS shall follow the MRTPS manufacturer’s recommendations, including the fabrication, assembly, and erection requirements of ASME NM.1, Chapter 8, in addition to the requirements of this Code.

(a) *Construction Specifications.* All construction work performed on MRTPS shall be performed using written construction specifications incorporating the recommendations of the manufacturer. The construction specifications shall cover the requirements of this Code and shall be in sufficient detail to ensure safe construction of fit for service pipeline components or systems.

(b) *Inspection and Handling Provisions.* MRTPS are susceptible to injurious damage by mishandling during shipment and transportation, offloading at the storage yard or installation location, unspooling, and installation. Care shall be exercised during handling and installation to prevent such damage in accordance with the provisions of [para. 842.3.2](#) and the product manufacturer’s recommendations.

(c) *Unspooling Provisions.* The construction specifications shall provide sufficient details for unspooling including, but not limited to, the spooling frame, the unspooling method, the maximum pulling load, the lowest allowable unspooling temperature, and the recommended braking procedure.

(d) *Installation Provisions.* MRTPS may be installed aboveground (surface installation) or buried. The piping shall be installed with sufficient slack to provide for possible contraction. Bends in MRTPS shall always be made with a radius greater than the minimum bend radius qualified by the product manufacturer.

(1) Aboveground (surface installation) MRTPS shall be resistant to deterioration due to high temperature and ultraviolet radiation, and protected against external damage.

(2) Buried MRTPS shall be laid on undisturbed or well-compacted soil. If MRTPS is to be laid in soils that may damage it, the piping shall be protected by suitable rock-free materials before backfilling is completed. Backfilling shall be performed in a manner to provide firm support around the piping. The minimum depth of cover shall be 36 in. (910 mm).

(e) *Identification.* A positive method of locating buried MRTPS is required. A common method is the installation of electrically conductive material, such as tracer wire or plastic coated metallic tape above the MRTPS pipe to facilitate locating it with an electronic pipe locator. There should be sufficient separation between the tracer wire and the pipe to mitigate the potential damage to plastic pipe if lightning current strikes the tracer wire. Alternative proven locating methods may be used. Steel reinforced pipes are electrically continuous and do not require a tracer wire.

(f) *Insertion in Casing.* For insertion in casing requirements, see [para. 842.3.3\(e\)](#).

(g) *Field Repairs of Defects.* Defects shall be removed by cutting and replacing the defective section.

(h) *Corrosion Prevention.* Manufacturer's recommendations or other measures shall be applied to prevent corrosion of metallic connectors or other metallic components in the installed environment.

842.5.3 Examination, Inspection, and Testing of MRTPS After Construction. The examination, inspection, and testing of MRTPS shall follow the product manufacturer's recommendations and the requirements of ASME NM.1, Chapter 8, in addition to the requirements of this Code.

(a) *Pressure Test.* Each MRTPS shall be pressure tested after construction and before being placed in operation to demonstrate that it does not leak. The test procedure used, including the duration of the test, shall be capable of disclosing all leaks in the section being tested and shall be selected after giving due consideration to the volumetric content of the section and its location.

(b) *Test Requirements.* MRTPS shall be tested at a pressure not less than 1.25 times the MAOP. The test duration shall not be less than 8 hr. For buried installations, the joints shall be left exposed or the test shall continue at no less than 1.19 times the MAOP for a minimum additional 16 hr with pressure and temperature recording charts for the full 24 hr test duration. Gas, air, or water may be used as the test medium.

(c) *Tie-Ins.* It is recognized that it may not be possible to pressure test the tie-in between two test sections in accordance with (a) and (b). The tie-in connections shall be tested for leaks at line pressure.

(d) *Safety During Testing.* All testing after construction shall be done with due regard for the safety of employees and the public during the test.

842.6 Copper Mains

842.6.1 Design of Copper Mains

(a) *Requirements.* When used for gas mains, copper pipe or tubing shall conform to the following requirements:

(1) Copper pipe or tubing shall not be used for mains where the pressure exceeds 100 psig (690 kPa).

(2) Copper pipe or tubing shall not be used for mains where the gas carried contains more than an average of 0.3 grains of hydrogen sulfide per 100 standard cubic feet (2.8 m³) of gas. This is equivalent to a trace as determined by a lead acetate test.

(3) Copper tubing or pipe for mains shall have a minimum wall thickness of 0.065 in. (1.65 mm) and shall be hard drawn.

(4) Copper pipe or tubing shall not be used for mains where strain or external loading may damage the piping.

(b) *Valves in Copper Piping.* Valves installed in copper lines may be made of any suitable material permitted by this Code.

(c) *Fittings in Copper Piping.* It is recommended that fittings in copper piping and exposed to the soil, such as service tees, pressure control fittings, etc., be made of bronze, copper, or brass.

(d) *Joints in Copper Pipe and Tubing.* Copper pipe shall be joined using either a compression-type coupling or a brazed or soldered lap joint. The filler material used for brazing shall be a copper-phosphorus alloy or silver base alloy. Butt welds are not permissible for joining copper pipe or tubing. Copper tubing shall not be threaded, but copper pipe with wall thickness equivalent to the comparable size of Schedule 40 steel pipe, i.e., ranging from 0.068 in. (1.73 mm) for NPS 1/8 (DN 6) to 0.406 in. (10.31 mm) for NPS 12 (DN 300), may be threaded and used for connecting screwed fittings or valves.

(e) *Protection Against Galvanic Corrosion.* Provision shall be made to prevent harmful galvanic action where copper is connected underground to steel. [See [para. 861.1.3\(a\)](#).]

842.6.2 Testing of Copper Mains After Construction.

All copper mains shall be tested after construction in accordance with the provisions of [para. 841.3.5](#).

843 COMPRESSOR STATIONS

843.1 Compressor Station Design

843.1.1 Location of Compressor Building. Except for offshore pipelines, the main compressor building for gas compressor stations should be located at such clear distances from adjacent property not under control of the operating company as to minimize the hazard of communication of fire to the compressor building from structures on adjacent property. Sufficient open space should be provided around the building to permit the free movement of firefighting equipment.

843.1.2 Building Construction. All compressor station buildings that house gas piping in sizes larger than NPS 2 (DN 50) or equipment handling gas (except equipment for domestic purposes) shall be constructed of noncombustible or limited combustible materials as defined in NFPA 220.

843.1.3 Exits. A minimum of two exits shall be provided for each operating floor of a main compressor building, basements, and any elevated walkway or platform 10 ft (3 m) or more above ground or floor level. Individual engine catwalks shall not require two exits. Exits of each such building may be fixed ladders, stairways, etc. The maximum distance from any point on an operating floor to an exit shall not exceed 75 ft (23 m), measured along the centerline of aisles or walkways. Exits shall be unobstructed doorways located so as to provide a convenient possibility of escape and shall provide unobstructed passage to a place of safety. Door latches shall be of a type that can be readily opened from the inside without a key. All swinging doors located in an exterior wall shall swing outward.

843.1.4 Fenced Areas. Any fence that may hamper or prevent escape of persons from the vicinity of a compressor station in an emergency shall be provided with a minimum of two gates. These gates shall be located so as to provide a convenient opportunity for escape to a place of safety. Any such gates located within 200 ft (61 m) of any compressor plant building shall open outward and shall be unlocked (or capable of being opened from the inside without a key) when the area within the enclosure is occupied. Alternatively, other facilities affording a similarly convenient exit from the area may be provided.

(22) 843.2 Electrical Facilities

All electrical equipment and wiring installed in gas transmission and distribution compressor stations shall conform to the requirements of NFPA 70, insofar as the equipment commercially available permits.

Electrical installations in hazardous locations as defined in NFPA 70 and that are to remain in operation during compressor station emergency shutdown as provided in [para. 843.3.3\(a\)\(1\)-\(e\)](#) shall be designed to conform to NFPA 70 for Class I, Division 1 requirements.

843.3 Compressor Station Equipment

843.3.1 Liquid Removal for Gas Treating Facilities. When condensable vapors are present in the gas stream in sufficient quantity to liquefy under the anticipated pressure and temperature conditions, the suction stream to each stage of compression (or to each unit for centrifugal compressors) shall be protected against the introduction of dangerous quantities of entrained liquids into the compressor. Every liquid separator used for this purpose shall be provided with manually operated facilities for removal of liquids therefrom. In addition, automatic liquid removal facilities, an automatic compressor shutdown device, or a high liquid level alarm shall be used where slugs of liquid might be carried into the compressors.

843.3.2 Fire Protection. Fire protection facilities should be provided in accordance with the American Insurance Association's recommendations. If the fire pumps are a part of such facilities, their operation shall not be affected by emergency shutdown facilities.

843.3.3 Safety Devices

(22)

(a) Emergency Shutdown (ESD) Facilities

(1) Except as noted or clarified in (3) through (5), each compressor station (or each compressor plant in a compressor station facility) shall be provided with an emergency shutdown system by means of which

(-a) gas is blocked out of the station gas piping and compressors.

(-b) station gas piping and compressors are vented to a location where the discharge of gas is not likely to create a hazard to the compressor station or surrounding area.

(-c) all gas compressing equipment is shut down.

(-d) all gas-fired equipment is shut down.

(-e) electrical equipment and circuits located in areas designated as Class I, Divisions 1 and 2 electrical hazard areas are de-energized, except those that provide emergency lighting for personnel protection and those that are necessary for protection of equipment.

(2) Activation of the emergency shutdown system

(-a) shall be manually initiated from any one of at least two locations not closer than 50 ft (15 m) but not more than 500 ft (150 m) from aboveground gas piping and compressors or compressor buildings, and preferably near exit gates if the facility is fenced.

(-b) may also be initiated automatically using fire or gas detection systems.

(-c) may also be initiated by remote control.

(-d) shall be part of an independent ESD system or an integrated ESD system for two or more plants designed to meet the activation requirements of (-a) through (-c) at each compressor station facility that contains more than one independent compressor plant.

(3) Unattended field compressor stations of 1,000 hp (746 kW) and less are excluded from the provisions of (1).

(4) Each compressor station supplying gas directly to a distribution system shall be provided with emergency shutdown facilities located outside the compressor station buildings by means of which all gas can be blocked out of the station, provided there is another adequate source of gas for the distribution system. These shutdown facilities can be either automatic or manually operated as local conditions designate. When no other gas source is available, no shutdown facilities that might function at the wrong time and cause an outage on the distribution system shall be installed.

(5) Notwithstanding the exceptions in (3) and (4), each compressor station handling gas that contains quantities or concentrations of hydrogen sulfide and/or liquids sufficient to present an environmental or safety hazard

shall be provided with an emergency shutdown system. The emergency shutdown system and automatic or manual blowdown processes and equipment must be designed to prevent the automatic release of hydrogen sulfide, condensable vapors, or free liquids into the atmosphere in concentrations that may be hazardous to the operator or the general public.

(b) *Engine Overspeed Stops.* Every compressor prime mover, except electrical induction or synchronous motors, shall be provided with an automatic device that is designed to shut down the unit before the maximum safe speed of either the prime mover or driven unit, as established by the respective manufacturers, is exceeded.

(22) **843.3.4 Pressure-Relieving and Pressure-Limiting Requirements in Compressor Stations**

(a) *Pressure-Relieving.* Pressure-relieving or other suitable protective devices of sufficient capacity and sensitivity shall be installed and maintained to ensure that the maximum allowable operating pressure of the station piping and equipment is not exceeded by more than 10%.

(b) *Pressure Relief Valves.* A pressure relief valve or pressure-limiting device, such as a pressure switch or unloading device, shall be installed in the discharge line of each positive displacement transmission compressor between the gas compressor and the first discharge block valve. If a pressure relief valve is the primary overprotection device, then the relieving capacity shall be equal to or greater than the capacity of the compressor. If the relief valves on the compressor do not prevent the possibility of overpressuring the pipeline as specified in [section 845](#), a relieving or pressure-limiting device shall be installed on the pipeline to prevent it from being overpressured beyond the limits prescribed by this Code.

(c) *Vent Piping.* Vent piping that can operate above atmospheric pressure shall be designed, constructed, and tested in accordance with this Code. Vent piping provided to exhaust the gas from the pressure relief valves to atmosphere shall be extended to a location where the gas may be discharged without undue hazard. Vent piping shall have sufficient capacity so that it will not inhibit the performance of the relief valve. For additional design considerations, see [para. 841.1.9\(d\)](#).

843.3.5 Fuel Gas Control. An automatic device designed to shut off the fuel gas when the engine stops shall be provided on each gas engine operating with pressure gas injection. The engine distribution manifold shall be automatically vented simultaneously.

843.3.6 Cooling and Lubrication Failures. All gas compressor units shall be equipped with shutdown or alarm devices to operate in the event of inadequate cooling or lubrication of the units.

843.3.7 Explosion Prevention

(a) *Mufflers.* The external shell of mufflers for engines using gas as fuel shall be designed in accordance with good engineering practice and shall be constructed of ductile materials. It is recommended that all compartments of the muffler be manufactured with vent slots or holes in the baffles to prevent gas from being trapped in the muffler.

(b) *Building Ventilation.* Ventilation shall be ample to ensure that employees are not endangered under normal operating conditions (or such abnormal conditions as a blown gasket, packing gland, etc.) by accumulations of hazardous concentrations of flammable or noxious vapors or gases in rooms, sumps, attics, pits, or similarly enclosed places, or in any portion thereof.

(c) *LPG Ventilation.* All liquefied petroleum gases are heavier than air; hence, structures aboveground for housing regulators, meters, etc., shall have open vents near the floor level. Such equipment shall not be installed in pits or in underground vaults, except in cases where suitable provisions for forced ventilation are made.

(d) *LPG Special Precautions.* Special care is required in the location of relief valve discharge vents releasing LPG to the atmosphere to prevent accumulation of the heavy gases at or below ground level. Likewise, special precautions are necessary for adequate ventilation where excavations are made for the repair of leaks in an underground LPG distribution system.

843.3.8 Gas Detection and Alarm Systems

(a) Each compressor building in a compressor station where hazardous concentrations of gas may accumulate shall have a fixed gas detection and alarm system unless the building is

(1) constructed so that at least 50% of its upright side area is permanently open to the atmosphere or adequately ventilated by forced or natural ventilation, or

(2) in an unattended field compressor station location of 1,000 hp (746 kW) or less and adequately ventilated

(b) Except when shutdown of the system is necessary for maintenance (see [para. 853.1.6](#)), each gas detection and alarm system required by this section shall

(1) continuously monitor the compressor building for a concentration of gas in air of not more than 25% of the lower explosive limit

(2) warn persons about to enter the building and persons inside the building of the danger if that concentration of gas is exceeded

(c) The compressor building configuration shall be considered in selecting the number, type, and placement of detectors and alarms.

(d) Alarm signals shall be unique and immediately recognizable, considering background noise and lighting, to personnel who are inside or immediately outside each compressor building.

843.4 Compressor Station Piping

843.4.1 Gas Piping. The following are general provisions applicable to all gas piping:

(a) *Specifications for Gas Piping.* All compressor station gas piping, other than instrument, control, and sample piping, up to and including connections to the main pipeline shall be of steel and shall use a design factor, F , per Table 841.1.6-2. Valves having shell components made of ductile iron may be used subject to the limitations in para. 831.1.1(b).

(b) *Installation of Gas Piping.* The provisions of para. 841.2 shall apply where appropriate to gas piping in compressor stations.

(c) *Testing of Gas Piping.* All gas piping within a compressor station shall be tested after installation in accordance with the provisions of para. 841.3 for pipelines and mains in Location Class 3, except that small additions to operating stations need not be tested where operating conditions make it impractical to test.

(d) *Identification of Valves and Piping.* All emergency valves and controls shall be identified by signs. The function of all important gas pressure piping shall be identified by signs or color codes.

843.4.2 Fuel Gas Piping. The following are specific provisions applicable to compressor station fuel gas piping only:

(a) All fuel gas lines within a compressor station that serve the various buildings and residential areas shall be provided with master shutoff valves located outside of any building or residential area.

(b) The pressure-regulating facilities for the fuel gas system for a compressor station shall be provided with pressure-limiting devices to prevent the normal operating pressure of the system from being exceeded by more than 25%, or the maximum allowable operating pressure by more than 10%.

(c) Suitable provision shall be made to prevent fuel gas from entering the power cylinders of an engine and actuating moving parts while work is in progress on the engine or on equipment driven by the engine.

(d) All fuel gas used for domestic purposes at a compressor station that has an insufficient odor of its own to serve as a warning in the event of its escape shall be odorized as prescribed in section 856.

843.4.3 Air Piping System

(a) All air piping within gas compressing stations shall be constructed in accordance with ASME B31.3.

(b) The starting air pressure, storage volume, and size of connecting piping shall be adequate to rotate the engine at the cranking speed and for the number of revolutions necessary to purge the fuel gas from the power cylinder and muffler. The recommendations of the engine manufacturer may be used as a guide in determining these factors. Consideration should be given to the number

of engines installed and to the possibility of having to start several of these engines within a short period of time.

(c) A check valve shall be installed in the starting air line near each engine to prevent backflow from the engine into the air piping system. A check valve shall also be placed in the main air line on the immediate outlet side of the air tank or tanks. It is recommended that equipment for cooling the air and removing the moisture and entrained oil be installed between the starting air compressor and the air storage tanks.

(d) Suitable provision shall be made to prevent starting air from entering the power cylinders of an engine and actuating moving parts while work is in progress on the engine or on equipment driven by the engines. Acceptable means of accomplishing this are installing a blind flange, removing a portion of the air supply piping, or locking closed a stop valve and locking open a vent downstream from it.

(e) Air receivers or air storage bottles for use in compressor stations shall be constructed and equipped in accordance with the BPV Code, Section VIII.

843.4.4 Lubricating Oil Piping. All lubricating oil piping within gas compressing stations shall be constructed in accordance with ASME B31.3.

843.4.5 Water Piping.

(a) *Process Water Piping.* Process water piping, including water/glycol, water/methanol, and similar water admixture piping within gas compressor stations, shall be constructed in accordance with an appropriate ASME B31 Code Section.

(b) *Plumbing Systems.* Plumbing systems, such as water distribution systems and sanitary drains and vents, shall be constructed in accordance with the International Plumbing Code (IPC), Uniform Plumbing Code (UPC), or other recognized plumbing code in accordance with the prevailing requirements of the authority having jurisdiction.

843.4.6 Steam, Steam Condensate, and Hot Water Utility/Heating Piping. All steam, steam condensate, and hot water utility/heating water piping within gas compressor stations shall be constructed in accordance with ASME B31.1 or ASME B31.3.

843.4.7 Hydraulic Piping. All hydraulic power piping within gas compressing stations shall be constructed in accordance with ASME B31.3.

844 PIPE-TYPE AND BOTTLE-TYPE HOLDERS

844.1 Pipe-Type Holders in Rights-of-Way Not Under Exclusive Use and Control of the Operating Company

A pipe-type holder that is to be installed in streets, highways, or in private rights-of-way not under the exclusive control and use of the operating company shall be

**Table 844.3-1
Design Factors, *F***

Holder Size Location Class	Design Factors, <i>F</i>	
	For Minimum Clearance Between Containers and Fenced Boundaries of Site of 25 ft (7.6 m) to 100 ft (30 m)	For Minimum Clearance Between Containers and Fenced Boundaries of Site of 100 ft (30 m) and Over
1	0.72	0.72
2	0.60	0.72
3	0.60	0.60
4	0.40	0.40

designed, installed, and tested in accordance with the provisions of this Code applicable to a pipeline installed in the same location and operated at the same maximum pressure.

844.2 Bottle-Type Holders

Bottle-type holders shall be located on land owned or under the exclusive control and use of the operating company.

844.3 Pipe-Type and Bottle-Type Holders on Property Under the Exclusive Use and Control of the Operating Company

(a) The storage site shall be entirely surrounded with fencing to prevent access by unauthorized persons.

(b) A pipe-type or bottle-type holder that is to be installed on property under the exclusive control and use of the operating company shall be designed in accordance with construction design factors. The selection of these factors depends on the Location Class in which the site is situated, the clearance between the pipe containers or bottles and the fence, and the maximum operating pressure, as shown in [Table 844.3-1](#).

(c) The minimum clearance between containers and the fenced boundaries of the site is fixed by the maximum operating pressure of the holder as shown in [Table 844.3-2](#).

**Table 844.3-2
Minimum Clearance Between Containers and Fenced Boundaries**

Maximum Operating Pressure, psig (kPa)	Minimum Clearance, ft (m)
Less than 1,000 (6 900)	25 (7.6)
1,000 (6 900) or more	100 (30)

(d) The minimum clearance in inches (millimeters) between pipe containers or bottles shall be determined by the following formula:

(U.S. Customary Units)

$$C = \frac{3DPF}{1,000}$$

(SI Units)

$$C = \frac{3DPF}{6895}$$

where

C = minimum clearance between pipe containers or bottles, in. (mm)

D = outside diameter of pipe container or bottle, in. (mm)

F = design factor [see (b)]

P = maximum allowable operating pressure, psig (kPa)

(e) Pipe containers shall be buried with the top of each container not less than 24 in. (610 mm) below the ground surface.

(f) Bottles shall be buried with the top of each container below the normal frost line but in no case closer than 24 in. (610 mm) to the surface.

(g) Pipe-type holders shall be tested in accordance with the provisions of [para. 841.3.2](#) for a pipeline located in the same Location Class as the holder site, provided, however, that in any case where the test pressure will produce a hoop stress of 80% or more of the specified minimum yield strength of the pipe, water shall be used as the test medium.

844.4 Special Provisions Applicable to Bottle-Type Holders Only

A bottle-type holder may be manufactured from steel that is not weldable under field conditions, subject to all of the following limitations:

(a) Bottle-type holders made from alloy steel shall meet the chemical and tensile requirements for the various grades of steel in ASTM A372.

(b) In no case shall the ratio of actual yield strength to actual tensile strength exceed 0.85.

(c) Welding shall not be performed on such bottles after they have been heat treated and/or stress relieved, except that it shall be permissible to attach small copper wires to the small diameter portion of the bottle end closure for cathodic protection purposes using a localized Thermit welding process (charge not to exceed 15 g).

(d) Such bottles shall be given a hydrostatic test in the mill and need not be retested hydrostatically at the time of installation. The mill test pressure shall not be less than

that required to produce a hoop stress equal to 85% of the specified minimum yield strength of the steel. Careful inspection of the bottles at the time of installation shall be made, and no damaged bottle shall be used.

(e) Such bottles and connecting piping shall be tested for tightness after installation using air or gas at a pressure of 50 psi (340 kPa) above the maximum operating pressure.

844.5 General Provisions Applicable to Both Pipe-Type and Bottle-Type Holders

(a) No gas containing more than 0.1 grain of hydrogen sulfide per 100 standard cubic feet (2.8 m³) shall be stored when free water is present or anticipated without employing suitable means to identify, mitigate, or prevent detrimental internal corrosion. (See [section 864](#).)

(b) Provision shall be made to prevent the formation or accumulation of liquids in the holder, connecting piping, and auxiliary equipment that might cause corrosion or interfere with the safe operation of the storage equipment.

Relief valves shall be installed in accordance with provisions of this Code that will have relieving capacity adequate to limit the pressure imposed on the filling line and thereby on the storage holder to 100% of the design pressure of the holder or to the pressure that produces a hoop stress of 75% of the specified minimum yield strength of the steel, whichever is the lesser.

845 CONTROL AND LIMITING OF GAS PRESSURE

845.1 Basic Requirement for Protection Against Accidental Overpressuring

Every pipeline, main, distribution system, customer's meter and connected facilities, compressor station, pipe-type holder, bottle-type holder, container fabricated from pipe and fittings, and all special equipment, if connected to a compressor or to a gas source where the failure of pressure control or other causes might result in a pressure that would exceed the maximum allowable operating pressure of the facility (refer to [para. 805.2.1](#)), shall be equipped with suitable pressure-relieving or pressure-limiting devices. Special provisions for service regulators are set forth in [para. 845.2.7](#).

845.2 Control and Limiting of Gas Pressure

(22) **845.2.1 Control and Limiting of Gas Pressure in Holders, Pipelines, and All Facilities That Might at Times Be Bottle Tight.** Suitable types of protective devices to prevent overpressuring of such facilities include

(a) spring-loaded relief valves of types meeting the provisions of the BPV Code, Section XIII, Part 3

(b) pilot-loaded back-pressure regulators used as relief valves, so designed that failure of the pilot system or control lines will cause the regulator to open

(c) rupture disks of the type meeting the provisions of the BPV Code, Section XIII, Part 4

845.2.2 Maximum Allowable Operating Pressure for Steel or Plastic Pipelines or Mains. This pressure is by definition the maximum operating pressure to which the pipeline or main may be subjected in accordance with the requirements of this Code. For a pipeline or main, the maximum allowable operating pressure shall not exceed the lesser of the following four items:

(a) The design pressure (defined in [para. 805.2.1](#)) of the weakest element of the pipeline or main. Assuming that all fittings, valves, and other accessories in the line have an adequate pressure rating, the maximum allowable operating pressure of a pipeline or main shall be the design pressure determined in accordance with [para. 841.1.1](#) for steel or [para. 842.2](#) for plastic.

(b) The pressure obtained by dividing the pressure to which the pipeline or main is tested after construction by the appropriate factor for the Location Class involved, as shown in [Table 845.2.2-1](#).

(c) The maximum safe pressure to which the pipeline or main should be subjected based on its operating and maintenance history (for pipelines, see [para. 851.1](#)).

(d) When service lines are connected to the pipeline or main, the limitations set forth in [paras. 845.2.4\(c\)\(2\)](#) and [845.2.4\(c\)\(5\)](#).

845.2.3 Qualification of a Steel Pipeline or Main to Establish the MAOP

(a) *Pipeline Operating at 100 psig (690 kPa) or More.* This paragraph applies to existing natural gas pipelines or to existing pipelines being converted to natural gas service where one or more factors of the steel pipe design formula (see [para. 841.1.1](#)) is unknown, and the pipeline is to be operated at 100 psig (690 kPa) or more. The maximum allowable operating pressure shall be determined by hydrostatic testing of the pipeline.

(1) The maximum allowable operating pressure shall be limited to the pressure obtained by dividing the pressure to which the pipeline or main is tested by the appropriate factor for the Location Class involved as shown in [Table 845.2.3-1](#).

(2) The test pressure to be used in the maximum allowable operating pressure calculation shall be the test pressure obtained at the high elevation point of the minimum strength test section and shall not be higher than the pressure required to produce a hoop stress equal to the yield strength as determined by testing. Only the first test to yield can be used to determine maximum allowable operating pressure.

(3) Records of hydrostatic pressure tests and line repairs shall be preserved as long as the facilities involved remain in service.

**Table 845.2.2-1
Maximum Allowable Operating Pressure for Steel or Plastic Pipelines or Mains**

Location Class	Pressure for Steel [Note (1)]	Pressure for Plastic
1, Division 1	$\frac{\text{Test pressure}}{1.25}$	N.A.
1, Division 2	$\frac{\text{Test pressure}}{1.25}$	$\frac{\text{Test pressure}}{1.50}$
2	$\frac{\text{Test pressure}}{1.25}$	$\frac{\text{Test pressure}}{1.50}$
3	$\frac{\text{Test pressure}}{1.50}$ [Note (2)]	$\frac{\text{Test pressure}}{1.50}$
4	$\frac{\text{Test pressure}}{1.50}$ [Note (2)]	$\frac{\text{Test pressure}}{1.50}$

NOTES:

- (1) See [para. 845.2.3](#) for test factors applicable to conversion of pipelines with unknown factors.
- (2) Other factors should be used if the line was tested under the special conditions described in [paras. 841.3.2\(d\), 841.3.2\(i\), and 841.3.3](#). In such cases, use factors that are consistent with the applicable requirements of these sections.

(4) Determine that all valves, flanges, and other pressure rated components have adequate ratings.

(5) While the maximum pressure of a test used to establish the maximum allowable working pressure is not limited by this paragraph except by (2), due caution should be exercised in selecting the maximum test pressure.

(b) *Pipelines Operating at Less Than 100 psig (690 kPa).* This paragraph applies to existing natural gas pipelines or to existing pipelines being converted to natural gas service where one or more factors of the steel pipe design formula (see [para. 841.1.1](#)) is unknown, and the pipeline is to be operated at less than 100 psig (690 kPa). The maximum allowable operating pressure shall be determined by pressure testing the pipeline.

(1) The maximum allowable operating pressure shall be limited to the pressure obtained by dividing the pressure to which the pipeline or main is tested by the appropriate factor for the Location Class involved as shown in [Table 845.2.3-2](#).

**Table 845.2.3-1
Maximum Allowable Operating Pressure for Pipelines Operating at 100 psig (690 kPa) or More**

Location Class	Maximum Allowable Operating Pressure
1, Division 1	$\frac{\text{Test pressure}}{1.25}$
1, Division 2	$\frac{\text{Test pressure}}{1.39}$
2	$\frac{\text{Test pressure}}{1.67}$
3	$\frac{\text{Test pressure}}{2.0}$
4	$\frac{\text{Test pressure}}{2.5}$

**Table 845.2.3-2
Maximum Allowable Operating Pressure for Pipelines Operating at Less Than 100 psig (690 kPa)**

Location Class	Maximum Allowable Operating Pressure
1	$\frac{\text{Test pressure}}{1.25}$
2	$\frac{\text{Test pressure}}{1.25}$
3	$\frac{\text{Test pressure}}{1.50}$
4	$\frac{\text{Test pressure}}{1.50}$

(2) The test pressure to be used in the maximum allowable operating pressure calculation shall be the test pressure obtained at the high elevation point of the minimum strength test section and shall not be higher than the pressure required to produce a hoop stress equal to the yield strength as determined by testing. Only the first test to yield can be used to determine maximum allowable operating pressure.

(3) Records of pressure tests and line repairs shall be preserved as long as the facilities involved remain in service.

(4) Determine that all valves, flanges, and other pressure rated components have adequate ratings.

(5) Although the maximum pressure of a test used to establish the maximum allowable working pressure is not limited by this paragraph except by (2), due caution should be exercised in selecting the maximum test pressure.

845.2.4 Control and Limiting of Gas Pressure in High-Pressure Steel, Ductile Iron, Cast Iron, or Plastic Distribution Systems

(a) Each high-pressure distribution system or main, supplied from a source of gas that is at a higher pressure than the maximum allowable operating pressure for the system, shall be equipped with pressure-regulating devices of adequate capacity and designed to meet the pressure, load, and other service conditions under which they will operate or to which they may be subjected.

(b) In addition to the pressure-regulating devices prescribed in (a), a suitable method shall be provided to prevent accidental overpressuring of a high-pressure distribution system.

Suitable types of protective devices to prevent overpressuring of high-pressure distribution systems include

(1) relief valves as prescribed in paras. 845.2.1(a) and 845.2.1(b).

(2) weight-loaded relief valves.

(3) a monitoring regulator installed in series with the primary pressure regulator.

(4) a series regulator installed upstream from the primary regulator and set to limit the pressure on the inlet of the primary regulator continuously to the maximum allowable operating pressure of the distribution system or less.

(5) an automatic shutoff device installed in series with the primary pressure regulator and set to shut off when the pressure on the distribution system reaches the maximum allowable operating pressure or less. This device must remain closed until manually reset. It should not be used where it might cause an interruption in service to a large number of customers.

(6) spring-loaded, diaphragm-type relief valves.

(c) *Maximum Allowable Operating Pressure for High-Pressure Distribution Systems.* This pressure shall be the maximum pressure to which the system can be

subjected in accordance with the requirements of this Code. It shall not exceed

(1) the design pressure of the weakest element of the system as defined in para. 805.2.1

(2) 60 psig (410 kPa) if the service lines in the system are not equipped with series regulators or other pressure-limiting devices as prescribed in para. 845.2.7(c)

(3) 25 psig (170 kPa) in cast iron systems having caulked bell and spigot joints that have not been equipped with bell joint clamps or other effective leak sealing methods

(4) the pressure limits to which any joint could be subjected without possibility of parting

(5) 2 psig (14 kPa) in high-pressure distribution systems equipped with service regulators not meeting the requirements of para. 845.2.7(a) and that do not have an overpressure protective device as required in para. 845.2.7(b)

(6) the maximum safe pressure to which the system should be subjected based on its operation and maintenance history

845.2.5 Control and Limiting of Gas Pressure in Low-Pressure Distribution Systems

(a) Each low-pressure distribution system or low-pressure main supplied from a gas source that is at a higher pressure than the maximum allowable operating pressure for the low-pressure system shall be equipped with pressure-regulating devices of adequate capacity. These devices must be designed to meet the pressure, load, and other service conditions under which they will have to operate.

(b) In addition to the pressure-regulating devices prescribed in (a), a suitable device shall be provided to prevent accidental overpressuring. Suitable types of protective devices to prevent overpressuring of low-pressure distribution systems include

(1) a liquid seal relief device that can be set to open accurately and consistently at the desired pressure

(2) weight-loaded relief valves

(3) an automatic shutoff device as described in para. 845.2.4(b)(5)

(4) a pilot-loaded, back-pressure regulator as described in para. 845.2.1(b)

(5) a monitoring regulator as described in para. 845.2.4(b)(3)

(6) a series regulator as described in para. 845.2.4(b)(4)

(c) *Maximum Allowable Operating Pressure for Low-Pressure Distribution Systems.* The maximum allowable operating pressure for a low-pressure distribution system shall not exceed either of the following:

(1) a pressure that would cause the unsafe operation of any connected and properly adjusted low-pressure gas burning equipment

(2) a pressure of 2 psig (14 kPa)

845.2.6 Conversion of Low-Pressure Distribution Systems to High-Pressure Distribution Systems

(a) Before converting a low-pressure distribution system to a high-pressure distribution system, it is required that the following factors be considered:

- (1) the design of the system, including kinds of material and equipment used
- (2) past maintenance records, including results of any previous leakage surveys

(b) Before increasing the pressure, the following steps (not necessarily in sequence shown) shall be taken:

- (1) Make a leakage survey and repair leaks found.
- (2) Reinforce or replace parts of the system found to be inadequate for the higher operating pressures.
- (3) Install a service regulator on each service line, and test each regulator to determine that it is functioning. In some cases it may be necessary to raise the pressure slightly to permit proper operation of the service regulators.

(4) Isolate the system from adjacent low-pressure systems.

(5) At bends or offsets in coupled or bell and spigot pipe, reinforce or replace anchorages determined to be inadequate for the higher pressures.

(c) The pressure in the system being converted shall be increased by steps, with a period to check the effect of the previous increase before making the next increase. The desirable magnitude of each increase and the length of the check period will vary depending on conditions. The objective of this procedure is to afford an opportunity to discover any unknown open and unregulated connections to adjacent low-pressure systems or to individual customers before excessive pressures are reached.

845.2.7 Control and Limiting of the Pressure of Gas Delivered to Domestic, Small Commercial, and Small Industrial Customers From High-Pressure Distribution Systems

(a) If the maximum allowable operating pressure of the distribution system is 60 psig (410 kPa) or less, and a service regulator having the following characteristics is used, no other pressure-limiting device is required:

(1) a pressure regulator capable of reducing distribution line pressure, psig (kPa), to pressures recommended for household appliances, inches (millimeters) of water column

(2) a single port valve with orifice diameter no greater than that recommended by the manufacturer for the maximum gas pressure at the regulator inlet

(3) a valve seat made of resilient material designed to withstand abrasion of the gas, impurities in gas, and cutting by the valve, and designed to resist permanent deformation when it is pressed against the valve port

(4) pipe connections to the regulator not exceeding NPS 2 (DN 50)

(5) the capability under normal operating conditions of regulating the downstream pressure within the necessary limits of accuracy and of limiting the buildup of pressure under no-flow conditions to no more than 50% over the normal discharge pressure maintained under flow conditions

(6) a self-contained service regulator with no external static or control lines

(b) If the maximum allowable operating pressure of the distribution system is 60 psig (410 kPa) or less, and a service regulator not having all of the characteristics listed in (a) is used, or if the gas contains materials that seriously interfere with the operation of service regulators, suitable protective devices shall be installed to prevent unsafe overpressuring of the customer's appliances, should the service regulator fail. Some of the suitable types of protective devices to prevent overpressuring of the customers' appliances are

(1) a monitoring regulator

(2) a relief valve

(3) an automatic shutoff device

These devices may be installed as an integral part of the service regulator or as a separate unit.

(c) If the maximum allowable operating pressure of the distribution system exceeds 60 psig (410 kPa), suitable methods shall be used to regulate and limit the pressure of the gas delivered to the customer to the maximum safe value. Such methods may include

(1) a service regulator having the characteristics listed in (a) and a secondary regulator located upstream from the service regulator. In no case shall the secondary regulator be set to maintain a pressure higher than 60 psig (410 kPa). A device shall be installed between the secondary regulator and the service regulator to limit the pressure on the inlet of the service regulator to 60 psig (410 kPa) or less in case the secondary regulator fails to function properly. This device may be either a relief valve or an automatic shutoff that shuts if the pressure on the inlet of the service regulator exceeds the set pressure [60 psig (410 kPa) or less] and remains closed until manually reset.

(2) a service regulator and a monitoring regulator set to limit to a maximum safe value the pressure of the gas delivered to the customer.

(3) a service regulator with a relief valve vented to the outside atmosphere, with the relief valve set to open so that the pressure of gas going to the customer shall not exceed a maximum safe value. The relief valve may be either built into the service regulator or may be a separate unit installed downstream from the service regulator. This combination may be used alone only in cases where the inlet pressure on the service regulator does not exceed the manufacturer's safe working pressure rating of the service regulator, and it is not recommended for use where the inlet pressure on the service regulator exceeds 125 psig

(860 kPa). For higher inlet pressures, the method in (1) or (2) should be used.

(d) When the pressure of the gas and the demand by the customer are greater than those applicable under the provisions of (a), (b), and (c), the requirements for control and limiting of the pressure of gas delivered are included in para. 845.1.

(22) 845.3 Requirements for Design of Pressure-Relieving and Pressure-Limiting Installations

(a) Pressure-relieving or pressure-limiting devices except rupture disks shall

(1) be constructed of materials such that the operation of the device will not normally be impaired by corrosion of external parts by the atmosphere or internal parts by gas

(2) have valves and valve seats that are designed not to stick in a position that will make the device inoperative and result in failure of the device to perform in the manner for which it was intended

(3) be designed and installed so that they can be readily operated to determine if the valve is free, can be tested to determine the pressure at which they will operate, and can be tested for leakage when in the closed position

(4) be designed and installed such that operation is not impaired at the minimum design temperature

(b) Rupture discs shall meet the requirements for design as set out in the BPV Code, Section XIII, Part 4.

(c) The discharge stacks, vents, or outlet ports of all pressure-relieving devices shall be located where gas can be discharged into the atmosphere without undue hazard.

Consideration should be given to all exposures in the immediate vicinity, including where gas pipelines parallel overhead electric transmission lines on the same right-of-way to ensure that the blowdown connections will direct the gas away from the electric conductors. Where required to protect devices, the discharge stacks or vents shall be protected with rain caps to preclude the entry of water.

(d) The size of the openings, pipe, and fittings located between the system to be protected and the pressure-relieving device and the vent line shall be of adequate size to prevent hammering of the valve and to prevent impairment of relief capacity.

(e) Precautions shall be taken to prevent unauthorized operation of any stop valve that will make a pressure relief valve inoperative. This provision shall not apply to valves that will isolate the system under protection from its source of pressure. Acceptable methods for complying with this provision are as follows:

(1) Lock the stop valve in the open position. Instruct authorized personnel of the importance of not inadvertently leaving the stop valve closed and of being present during the entire period that the stop valve is

closed so that they can lock it in the open position before they leave the location.

(2) Install duplicate relief valves, each having adequate capacity by itself to protect the system, and arrange the isolating valves or three-way valve so that mechanically it is possible to render only one safety device inoperative at a time.

(f) Precautions shall be taken to prevent unauthorized operation of any valve that will make pressure-limiting devices inoperative. This provision applies to isolating valves, bypass valves, and valves on control or float lines that are located between the pressure-limiting device and the system that the device protects. A method similar to that described in (e)(1) shall be considered acceptable in complying with this provision.

(g) When a monitoring regulator, series regulator, system relief, or system shutoff is installed at a district regulator station to protect a piping system from overpressuring, the installation shall be designed and installed to prevent any single incident, such as an explosion in a vault or damage by a vehicle or icing (both internal and external), from affecting the operation of both the overpressure protective device and the district regulator. (See sections 846 and 847.)

(h) Special attention shall be given to control lines. All control lines shall be protected from falling objects, excavations by others, or other foreseeable causes of damage and shall be designed and installed to prevent damage to any one control line from making both the district regulator and the overpressure protective device inoperative.

845.4 Capacity of Pressure-Relieving and Pressure-Limiting Station and Devices

845.4.1 Required Capacity of Pressure-Relieving and Pressure-Limiting Stations (22)

(a) Each pressure-relieving station, pressure-limiting station, or group of such stations installed to protect a piping system or pressure vessel against overpressuring (see para. 845.1) shall have sufficient capacity and shall be set to operate to prevent the pressure from exceeding the following levels:

(1) *Systems With Pipe or Pipeline Components Operating at Hoop Stress Levels Over 72% of the SMYS.* The required capacity shall not be less than the capacity required to prevent the pressure from exceeding the maximum allowable operating pressure plus 4%.

(2) *Systems With Pipe or Pipeline Components Operating at Hoop Stress Levels at or Below 72% of the SMYS Other Than in Low-Pressure Distribution Systems.* The required capacity shall not be less than the capacity required to prevent the pressure from exceeding the lesser of the following two items:

(-a) the maximum allowable operating pressure plus 10%

(-b) the pressure that produces a hoop stress of 75% of the specified minimum yield strength

(3) *Low-Pressure Distribution Systems.* The required capacity shall not be less than the capacity required to prevent the pressure from exceeding a pressure that would cause the unsafe operation of any connected and properly adjusted gas burning equipment.

(4) *Pressure Vessels.* Pressure vessels shall be protected against overpressure in accordance with the BPV Code, Section XIII.

(b) When more than one pressure-regulating or compressor station feeds into the pipeline or distribution system and pressure-relieving devices are installed at such stations, the relieving capacity at the remote station may be taken into account in sizing the relief devices at each station. In doing this, however, the assumed remote relieving capacity must be limited to the capacity of the piping system to transmit gas to the remote location or to the capacity of the remote relief device, whichever is less.

845.4.2 Proof of Adequate Capacity and Satisfactory Performance of Pressure-Limiting and Pressure-Relieving Devices. Where the safety device consists of an additional regulator that is associated with or functions in combination with one or more regulators in a series arrangement to control or limit the pressure in a piping system, suitable checks shall be made. These checks shall be conducted to determine that the equipment will operate in a satisfactory manner to prevent any pressure in excess of the established maximum allowable operating pressure of the system, should any one of the associated regulators malfunction or remain in the wide-open position.

845.5 Instrument, Control, and Sample Piping

845.5.1 Scope

(a) The requirements given in this section apply to the design of instrument, control, and sampling piping for safe and proper operation of the piping itself and do not cover design of piping to secure proper functioning of instruments for which the piping is installed.

(b) This section does not apply to permanently closed piping systems, such as fluid-filled, temperature-responsive devices.

845.5.2 Materials and Design

(a) The materials employed for valves, fittings, tubing, and piping shall be designed to meet the particular conditions of service.

(b) Takeoff connections and attaching bosses, fittings, or adapters shall be made of suitable material and shall be

capable of withstanding the maximum and minimum operating pressures and temperatures of the piping or equipment to which they are attached. They shall be designed to satisfactorily withstand all stresses without failure by fatigue.

(c) A shutoff valve shall be installed in each takeoff line as near as practicable to the point of takeoff. Blowdown valves shall be installed where necessary for the safe operation of piping, instruments, and equipment.

(d) Brass pipe or copper pipe or tubing shall not be used for metal temperatures greater than 400°F (204°C).

(e) Piping subject to clogging from solids or deposits shall be provided with suitable connections for cleaning.

(f) Pipe or tubing required under this section may be specified by the manufacturers of the instrument, control apparatus, or sampling device, provided that the safety of the pipe or tubing as installed is at least equal to that otherwise required under the Code.

(g) Piping that may contain liquids shall be protected by heating or other suitable means from damage due to freezing.

(h) Piping in which liquids may accumulate shall be provided with drains or drips.

(i) The arrangement of piping and supports shall be designed to provide not only for safety under operating stresses, but also to provide protection for the piping against detrimental sagging, external mechanical injury, abuse, and damage due to unusual service conditions other than those connected with pressure, temperature, and service vibration.

(j) Suitable precautions shall be taken to protect against corrosion. (See [section 864](#).)

(k) Joints between sections of tubing and/or pipe, between tubing and/or pipe and valves or fittings shall be made in a manner suitable for the pressure and temperature conditions, such as by means of flared, flareless, and compression-type fittings, or equal, or they may be of the brazed, screwed, or socket-welded type. If screwed-end valves are to be used with flared, flareless, or compression-type fittings, adapters are required.

Slip-type expansion joints shall not be used; expansion shall be compensated for by providing flexibility within the piping or tubing system itself.

(l) Plastic shall not be used where operating temperatures exceed limitations shown in [paras. 842.2.2\(b\)](#) and [842.2.3\(b\)](#).

(m) Plastic piping shall not be painted. If identification other than that already provided by the manufacturer's marking is required, it shall be accomplished by other means.

846 VALVES⁴

846.1 Required Spacing of Valves

846.1.1 Transmission Lines. Onshore block valves shall be installed in new transmission pipelines at the time of construction to isolate the pipeline for maintenance and for response to operating emergencies. When determining the placement of such valves for sectionalizing the pipeline, primary consideration shall be given to locations that provide continuous accessibility to the valves.

(a) In determining the number and spacing of valves to be installed, the operator shall perform an assessment that gives consideration to factors such as

- (1) the amount of gas released due to repair and maintenance blowdowns, leaks, or ruptures
- (2) the time to blow down an isolated section
- (3) the impact in the area of gas release (e.g., nuisance and any hazard resulting from prolonged blowdowns)
- (4) continuity of service
- (5) operating and maintenance flexibility of the system
- (6) future development in the vicinity of the pipeline
- (7) significant conditions that may adversely affect the operation and security of the line

(b) In lieu of (a), the following maximum spacing between valves shall be used:

- (1) 20 mi (32 km) in areas of predominantly Location Class 1
- (2) 15 mi (24 km) in areas of predominantly Location Class 2
- (3) 10 mi (16 km) in areas of predominantly Location Class 3
- (4) 5 mi (8 km) in areas of predominantly Location Class 4

The spacing defined herein may be adjusted to permit a valve to be installed in a location that is more accessible.

846.1.2 Distribution Mains. Valves on distribution mains, whether for operating or emergency purposes, shall be spaced as follows:

(a) *High-Pressure Distribution Systems.* Valves shall be installed in high-pressure distribution systems in accessible locations to reduce the time to shut down a section of main in an emergency. In determining the spacing of the valves, consideration should be given to the operating pressure and size of the mains and local physical conditions as well as the number and type of consumers that might be affected by a shutdown.

(b) *Low-Pressure Distribution Systems.* Valves may be used on low-pressure distribution systems but are not required except as specified in [para. 846.2.2\(a\)](#).

⁴ See [paras. 849.1.2](#) and [849.1.3](#) for provisions covering valves in service lines.

846.2 Location of Valves

846.2.1 Transmission Valves

(a) Sectionalizing block valves shall be accessible and protected from damage and tampering. If a blowdown valve is involved, it shall be located where the gas can be blown to the atmosphere without undue hazard.

(b) Sectionalizing valves may be installed above ground, in a vault, or buried. In all installations an operating device to open or close the valve shall be readily accessible to authorized persons. All valves shall be suitably supported to prevent settlement or movement of the attached piping.

(c) Blowdown valves shall be provided so that each section of pipeline between main line valves can be blown down. The sizes and capacity of the connections for blowing down the line shall be such that under emergency conditions the section of line can be blown down as rapidly as is practicable.

(d) This Code does not require the use of automatic valves nor does the Code imply that the use of automatic valves presently developed will provide full protection to a piping system. Their use and installation shall be at the discretion of the operating company.

846.2.2 Distribution System Valves

(a) A valve shall be installed on the inlet piping of each regulator station controlling the flow or pressure of gas in a distribution system. The distance between the valve and the regulator or regulators shall be sufficient to permit the operation of the valve during an emergency, such as a large gas leak or a fire in the station.

(b) Valves on distribution mains, whether for operating or emergency purposes, shall be located in a manner that will provide ready access and facilitate their operation during an emergency. Where a valve is installed in a buried box or enclosure, only ready access to the operating stem or mechanism is implied. The box or enclosure shall be installed in a manner to avoid transmitting external loads to the main.

847 VAULTS

847.1 Structural Design Requirements

Underground vaults or pits for valves and pressure-relieving, pressure-limiting, or pressure-regulating stations, etc., shall be designed and constructed in accordance with the following provisions:

(a) Vaults and pits shall be designed and constructed in accordance with good structural engineering practice to meet the loads that may be imposed on them.

(b) Sufficient working space shall be provided so that all of the equipment required in the vault can be properly installed, operated, and maintained.

(c) In the design of vaults and pits for pressure-limiting, pressure-relieving, and pressure-regulating equipment, consideration shall be given to the protection of the installed equipment from damage, such as that resulting from an explosion within the vault or pit that may cause portions of the roof or cover to fall into the vault.

(d) Pipe entering and within regulator vaults or pits shall be steel for NPS 10 (DN 250) and smaller sizes, except that control and gage piping may be copper. Where piping extends through the vault or pit structure, provision shall be made to prevent the passage of gases or liquids through the opening and to avert strains in the piping. Equipment and piping shall be suitably sustained by metal, masonry, or concrete supports. The control piping shall be placed and supported in the vault or pit so that its exposure to injury or damage is reduced to a minimum.

(e) Vault or pit openings shall be located so as to minimize the hazards of tools or other objects falling on the regulator, piping, or other equipment. The control piping and the operating parts of the equipment installed shall not be located under a vault or pit opening where workmen can step on them when entering or leaving the vault or pit, unless such parts are suitably protected.

(f) Whenever a vault or pit opening is to be located above equipment that could be damaged by a falling cover, a circular cover should be installed, or other suitable precautions should be taken.

847.2 Accessibility

Accessibility shall be considered in selecting a site for a vault. Some of the important factors to consider in selecting the location of a vault are as follows:

(a) *Exposure to Traffic.* The location of vaults in street intersections or at points where traffic is heavy or dense should be avoided.

(b) *Exposure to Flooding.* Vaults should not be located at points of minimum elevation, near catch basins, or where the access cover will be in the course of surface waters.

(c) *Exposure to Adjacent Subsurface Hazards.* Vaults should be located as far as is practical from water, electric, steam, or other facilities.

847.3 Vault Sealing, Venting, and Ventilation

Underground vaults and closed top pits containing either a pressure-regulating or reduction station, or a pressure-limiting or relieving station shall be sealed, vented, or ventilated as follows:

(a) When the internal volume exceeds 200 ft³ (5.7 m³), such vaults or pits shall be ventilated with two ducts each having at least the ventilating effect of an NPS 4 (DN 100) pipe.

(b) The ventilation provided shall be sufficient to minimize the possible formation of a combustible atmosphere in the vault or pit. Vents associated with the pressure-

regulating or pressure-relieving equipment must not be connected to the vault or pit ventilation.

(c) The ducts shall extend to a height above grade adequate to disperse any gas-air mixtures that might be discharged. The outside end of the ducts shall be equipped with a suitable weatherproof fitting or vent head designed to prevent foreign matter from entering or obstructing the duct. The effective area of the opening in such fittings or vent heads shall be at least equal to the cross-sectional area of an NPS 4 (DN 100) duct. The horizontal section of the ducts shall be as short as practical and shall be pitched to prevent the accumulation of liquids in the line. The number of bends and offsets shall be reduced to a minimum, and provisions shall be incorporated to facilitate the periodic cleaning of the ducts.

(d) Such vaults or pits having an internal volume between 75 ft³ and 200 ft³ (2.1 m³ and 5.7 m³) may be either sealed, vented, or ventilated. If sealed, all openings shall be equipped with tight-fitting covers without open holes through which an explosive mixture might be ignited. Means shall be provided for testing the internal atmosphere before removing the cover. If vented, the proper provision to prevent external sources of ignition from reaching the vault atmosphere must be provided. If ventilated, the provisions of either (a), (b), and (c) or (e) shall apply.

(e) If vaults or pits referred to in (d) are ventilated by means of openings in the covers or gratings, and the ratio of the internal volume in cubic feet (m³) to the effective ventilating area of the cover or grating in square feet (m²) is less than 20 to 1, no additional ventilation is required.

(f) Vaults or pits having an internal volume less than 75 ft³ (2.1 m³) have no specific requirements.

847.4 Drainage and Waterproofing

(a) Provisions shall be made to minimize the entrance of water into vaults. Nevertheless, vault equipment shall always be designed to operate safely if submerged.

(b) No vault containing gas piping shall be connected by means of a drain connection to any other substructure, such as a sewer.

(c) Electrical equipment in vaults shall conform to the requirements of Class 1, Group D of NFPA 70.

848 CUSTOMERS' METERS AND REGULATORS

848.1 Location for Customers' Meter and Regulator Installations

(a) Customers' meters and regulators may be located either inside or outside of buildings, depending on local conditions, except that on service lines requiring series regulation, in accordance with para. 845.2.7(c), the upstream regulator shall be located outside of the building.

(b) When installed within a building, the service regulator shall be in a readily accessible location near the point of gas service line entrance, and whenever practical, the meters shall be installed at the same location. Neither meters nor regulators shall be installed in bedrooms, closets, or bathrooms; under combustible stairways; in unventilated or inaccessible places; or closer than 3 ft (0.9 m) to sources of ignition, including furnaces and water heaters. On service lines supplying large industrial customers or installations where gas is used at higher than standard service pressure, the regulators may be installed at other readily accessible locations.

(c) When located outside of buildings, meters and service regulators shall be installed in readily accessible locations where they will be reasonably protected from damage.

(d) Regulators requiring vents for their proper and effective operation shall be vented to the outside atmosphere in accordance with the provisions of [para. 848.3.3](#). Individual vents shall be provided for each regulator.

848.2 Operating Pressures for Customers' Meter Installations

Iron or aluminum case meters shall not be used at a maximum operating pressure higher than the manufacturer's rating for the meter. New tinned steel case meters shall not be used at a pressure in excess of 50% of the manufacturer's test pressure; rebuilt tinned steel case meters shall not be used at a pressure in excess of 50% of the pressure used to test the meter after rebuilding.

848.3 Protection of Customers' Meter and Regulator Installations From Damage

848.3.1 Corrosive Area. Meters and service regulators shall not be installed where rapid deterioration from corrosion or other causes is likely to occur, unless proven measures are taken to protect against such deterioration.

848.3.2 Protective Device. A suitable protective device, such as a back-pressure regulator or a check valve, shall be installed downstream of the meter if and as required under the following conditions:

(a) If the nature of the utilization equipment is such that it may induce a vacuum at the meter, install a back-pressure regulator downstream from the meter.

(b) Install a check valve or equivalent if

(1) the utilization equipment may induce a back pressure.

(2) the gas utilization equipment is connected to a source of oxygen or compressed air.

(3) liquefied petroleum gas or other supplementary gas is used as standby and may flow back into the meter. A three-way valve, installed to admit the standby supply and

at the same time shut off the regular supply, can be substituted for a check valve if desired.

848.3.3 Termination of Vents. All service regulator vents and relief vents, where required, shall terminate in the outside air in rain- and insect-resistant fittings. The open end of the vent shall be located where the gas can escape freely into the atmosphere and away from any openings into the buildings if a regulator failure resulting in the release of gas occurs. At locations where service regulators may be submerged during floods, either a special antiflood type breather vent fitting shall be installed or the vent line shall be extended above the height of the expected flood waters.

848.3.4 Pit and Vault Design. Pits and vaults housing customers' meters and regulators shall be designed to support vehicular traffic when installed in the following locations:

- (a) traveled portions of alleys, streets, and highways
- (b) driveways

848.4 Installation of Meters and Regulators

All meters and regulators shall be installed in such a manner as to prevent undue stresses on the connecting piping and/or the meter. Lead (Pb) connections or other connections made of material that can be easily damaged shall not be used. The use of standard weight close (all thread) nipples is prohibited.

849 GAS SERVICE LINES

849.1 General Provisions Applicable to Steel, Copper, and Plastic Service Lines

849.1.1 Installation of Service Lines

(a) Service lines shall be installed at a depth that will protect them from excessive external loading and local activities, such as gardening. It is required that a minimum of 12 in. (300 mm) of cover be provided in private property and a minimum of 18 in. (460 mm) of cover be provided in streets and roads. Where these cover requirements cannot be met due to existing substructures, less cover is permitted provided such portions of these service lines that are subject to excessive superimposed loads are cased or bridged or the pipe is appropriately strengthened.

(b) Service lines shall be properly supported at all points on undisturbed or well-compacted soil so that the pipe will not be subject to excessive external loading by the backfill. The material used for the backfill shall be free of rocks, building materials, etc., that may cause damage to the pipe or the protective coating.

(c) Where there is evidence of condensate in the gas in sufficient quantities to cause interruptions in the gas supply to the customer, the service line shall be

graded so as to drain into the main or to drips at the low points in the service line.

849.1.2 Types of Valves Suitable for Service Line Valves

(a) Valves used as service line valves shall meet the applicable requirements of [section 810](#) and [para. 831.1](#).

(b) The use of soft seat service line valves is not recommended when the design of the valves is such that exposure to excessive heat could adversely affect the ability of the valve to prevent the flow of gas.

(c) A valve incorporated in a meter bar that permits the meter to be bypassed does not qualify under this Code as a service line valve.

(d) Service line valves on high-pressure service lines, installed either inside buildings or in confined locations outside buildings where the blowing of gas would be hazardous, shall be designed and constructed to minimize the possibility of the removal of the core of the valve accidentally or willfully with ordinary household tools.

(e) The operating company shall make certain that the service line valves installed on high-pressure service lines are suitable for this use either by making their own tests or by reviewing the tests made by the manufacturers.

(f) On service lines designed to operate at pressures in excess of 60 psig (410 kPa), the service line valves shall be the equivalent of a pressure-lubricated valve or a needle-type valve. Other types of valves may be used where tests by the manufacturer or by the user indicate that they are suitable for this kind of service.

849.1.3 Location of Service Line Valves

(a) Service line valves shall be installed on all new service lines (including replacements) in a location readily accessible from the outside.

(b) Valves shall be located upstream of the meter if there is no regulator, or upstream of the regulator, if there is one.

(c) All service lines operating at a pressure greater than 10 psig (69 kPa) and all service lines NPS 2 (DN 50) or larger shall be equipped with a valve located on the service line outside of the building, except that whenever gas is supplied to a theater, church, school, factory, or other building where large numbers of persons assemble, an outside valve will be required, regardless of the size of the service line or the service line pressure.

(d) Underground valves shall be located in a covered durable curb box or standpipe designed to permit ready operation of the valve. The curb box or standpipe shall be supported independently of the service line.

849.1.4 Location of Service Line Connections to Main Piping. It is recommended that service lines be connected to either the top or the side of the main. The connection to the top of the main is preferred to minimize the possibility

of dust and moisture being carried from the main into the service line.

849.1.5 Testing of Service Lines After Construction

(a) *General Provisions.* Each service line shall be tested after construction and before being placed in service to demonstrate that it does not leak. The service line connection to the main need not be included in this test if it is not feasible to do so.

(b) *Test Requirements*

(1) Service lines to operate at a pressure less than 1 psig (7 kPa) that do not have a protective coating capable of temporarily sealing a leak shall be given a stand-up air or gas pressure test at not less than 10 psig (69 kPa) for at least 5 min.

(2) Service lines to operate at a pressure less than 1 psig (7 kPa) that have a protective coating that might temporarily seal a leak, and all service lines to operate at a pressure of 1 psig (7 kPa) or more, shall be given a stand-up air or gas pressure test for at least 5 min at the proposed maximum operating pressure or 90 psig (620 kPa), whichever is greater. Service lines of steel, however, that are operating at hoop stress levels of 20% or more of the specified minimum yield strength shall be tested in accordance with the requirements for testing mains. (See [para. 841.3](#).)

(3) The requirements of (a) and (b) shall apply to plastic service lines, except that plastic service lines shall be tested to at least 1.5 times the maximum operating pressure, and the limitations on maximum test pressure, temperature, and duration set forth in [para. 842.4.2](#) shall be observed.

849.1.6 Excess Flow Valve (EFV) Installation. The use of EFVs is recognized by the gas industry as an effective way to mitigate risks associated with excavation damage, natural force damage, and other outside force damage, e.g., vehicular damage on gas service lines. The following considerations apply to EFV installations:

(a) The operator should consider installing an EFV on any new or replaced gas service line. Such a service line can typically serve the following categories of customers:

(1) a service line to a single family residence (SFR).

(2) a branched gas service line to an SFR installed concurrently with the primary SFR service line. (A single EFV may be installed to protect both service lines.)

(3) a branched gas service line to an SFR installed off a previously installed SFR gas service line that does not contain an EFV.

(4) multifamily installations with known customer loads at time of gas service installation, based on installed meter capacity less than 1,000 standard ft³/hr (28.3 m³/h) per gas service and where the customer load is not expected to increase significantly over time.

(5) a single small commercial customer with known customer load at the time of service installation, based on installed meter capacity up to 1,000 standard ft³/hr (28.3

m³/h) served by a single gas service line and where the customer load is not expected to increase significantly over time.

(b) Excess flow valves should not be installed if one or more of the following conditions are present:

(1) The gas service line will not operate at a pressure of 10 psig (69 kPa) or greater throughout the year.

(2) The operator has prior experience with contaminants in the gas stream that could interfere with the EFV's operation or cause loss of service to a residence.

(3) An EFV could interfere with necessary operation or maintenance activities, such as removing liquids from the line.

(4) An EFV meeting performance standards in [para. 831.1.4](#) is not commercially available to the operator, or

(5) The anticipated maximum flow through the service line equals or exceeds 1,000 standard ft³/hr (28.3 m³/h).

(c) An operator should identify the presence of an EFV in the service line. Examples include a tag, ring around the riser, or statement on the service order.

(d) An operator should locate an EFV as near as practical to the fitting connecting the gas service line to its source of gas supply.

(e) An operator should perform a functional flow test for each excess flow valve installed, in accordance with the manufacturer's instructions, to verify that the excess flow valve

(1) will close under excess flow conditions

(2) will properly reset in accordance with the manufacturer's instructions

(3) is properly sized for both the length and the nominal diameter of a given service line

(f) An operator should follow the manufacturer's instructions when

(1) commissioning a new excess valve installation

(2) resetting an existing excess flow valve after closure

849.2 Steel Service Lines

849.2.1 Design of Steel Service Lines

(a) Steel pipe, when used for service lines, shall conform to the applicable requirements of [Chapter I](#).

(b) Steel service pipe shall be designed in accordance with the requirements of [paras. 841.1.1](#) and [841.1.9\(a\)](#). Where the pressure is less than 100 psig (690 kPa), the steel service pipe shall be designed for at least 100 psig (690 kPa) pressure.

(c) Steel pipe used for service lines shall be installed in such a manner that the piping strain or external loading shall not be excessive.

(d) All underground steel service lines shall be joined by threaded and coupled joints, compression-type fittings, or by qualified welding or brazing methods, procedures, and operators.

849.2.2 Installation of Steel Service Lines

(a) Installation of Steel Service Lines in Bores

(1) When coated steel pipe is to be installed as a service line in a bore, care shall be exercised to prevent damage to the coating during installation.

(2) When a service line is to be installed by boring or driving, and coated steel pipe is to be used, it shall not be used as the bore pipe or drive pipe and left in the ground as part of the service line unless it has been shown that the coating is sufficiently durable to withstand the boring or driving operation in the type of soil involved without significant damage to the coating. Where significant damage to the coating may result from boring or driving, the coated service line should be installed in an oversized bore or casing pipe of sufficient diameter to accommodate the service pipe.

(3) In exceptionally rocky soil, coated pipe shall not be inserted through an open bore if significant damage to the coating is likely.

(b) Installation of Service Lines Into or Under Buildings

(1) Underground steel service lines, when installed below grade through the outer foundation wall of a building, shall be either encased in a sleeve or otherwise protected against corrosion. The service line and/or sleeve shall be sealed at the foundation wall to prevent entry of gas or water into the building.

(2) Steel service lines, where installed underground under buildings, shall be encased in a gas-tight conduit. When such a service line supplies the building it subtends, the conduit shall extend into a normally usable and accessible portion of the building. At the point where the conduit terminates, the space between the conduit and the service line shall be sealed to prevent the possible entrance of any gas leakage. The casing shall be vented at a safe location.

849.3 Ductile Iron Service Lines

When used for service lines, ductile iron pipe shall meet the applicable requirements of [section 842](#). Ductile iron pipe may be used for service lines except for the portion of the service line that extends through the building wall. Ductile iron service lines shall not be installed in unstable soils or under buildings.

849.4 Plastic Service Lines

849.4.1 Design of Plastic Service Lines

(a) Plastic pipe and tubing shall be used for service lines only where the piping strain or external loading will not be excessive.

(b) Plastic pipe, tubing, cements, and fittings used for service lines shall conform to the applicable requirements of [Chapter I](#).

(c) Plastic service lines shall be designed in accordance with the applicable requirements of [para. 842.2](#).

(d) Plastic service lines shall be joined in accordance with the applicable requirements of [para. 842.2.9](#).

849.4.2 Installation of Plastic Service Lines

(a) Plastic service lines shall be installed in accordance with the applicable requirements of [paras. 842.3](#) and [849.1.1](#). Particular care must be taken to prevent damage to plastic service line piping at the connection to the main or other facility. Precautions shall be taken to prevent crushing or shearing of plastic piping due to external loading or settling of backfill and to prevent damage or pullout from the connection resulting from thermal expansion or contraction. [See [paras. 842.3.3\(d\)](#) and [842.3.3\(e\)](#).]

(b) Notwithstanding the limitations imposed in [para. 842.3.3](#), a plastic service line may terminate above ground and outside the building, provided that

(1) the aboveground portion of the plastic service line is completely enclosed in a conduit or casing of sufficient strength to provide protection from external damage and deterioration. Where a flexible conduit is used, the top of the riser must be attached to a solid support. The conduit or casing shall extend a minimum of 6 in. (150 mm) below grade.

(2) the plastic service line is not subjected to external loading stresses by the customer's meter or its connecting piping.

(c) *Installation of Plastic Service Lines Into or Under Buildings*

(1) An underground plastic service line installed through the outer foundation or wall of a building shall be encased in a rigid sleeve with suitable protection from shearing action or backfill settlement. The sleeve shall extend past the outside face of the foundation a sufficient distance to reach undisturbed soil or thoroughly compacted backfill. At the point where the sleeve terminates inside the foundation or wall, the space between the sleeve and the service line shall be sealed to prevent leakage into the building. The plastic service line shall not be exposed inside the building.

(2) A plastic service line installed underground under a building shall be encased in a gas-tight conduit. When such a service line supplies the building it subtends, the conduit shall extend into a normally usable and accessible portion of the building. At the point where the conduit terminates, the space between the conduit and the service line shall be sealed to prevent leakage into the building. The plastic service line shall not be exposed inside the building. The casing shall be vented at a safe location.

849.5 Copper Service Lines

849.5.1 Design of Copper Service Lines

(a) *Use of Copper Service Lines.* Copper pipe or tubing, when used for service lines, shall conform to the following requirements:

(1) Copper pipe or tubing shall not be used for service lines where the pressure exceeds 100 psig (690 kPa).

(2) Copper pipe or tubing shall not be used for service lines where the gas carried contains more than an average of 0.3 grains of hydrogen sulfide per 100 standard cubic feet (2.8 m³) of gas. This is equivalent to a trace as determined by a lead-acetate test.

(3) The minimum wall thickness for copper pipe or tubing used for service lines shall be not less than type "L" as specified in ASTM B88.

(4) Copper pipe or tubing shall not be used for service lines where strain or external loading may damage the piping.

(b) *Valves in Copper Piping.* Valves installed in copper service lines may be made of any suitable material permitted by this Code.

(c) *Fittings in Copper Piping.* It is recommended that fittings in copper piping and exposed to the soil, such as service line tees, pressure control fittings, etc., be made of bronze, copper, or brass.

(d) *Joints in Copper Pipe and Tubing.* Copper pipe shall be joined by using either a compression-type coupling or a brazed or soldered lap joint. The filler material used for brazing shall be a copper-phosphorus alloy or silver base alloy. Butt welds are not permissible for joining copper pipe or tubing. Copper tubing shall not be threaded, but copper pipe with a wall thickness equivalent to the comparable size of Schedule 40 steel pipe, i.e., ranging from 0.068 in. (1.73 mm) for NPS 1/8 (DN 6) to 0.406 in. (10.31 mm) for NPS 12 (DN 300), may be threaded and used for connecting screwed fittings or valves.

(e) *Protection Against Galvanic Action Caused by Copper.* Provisions shall be made to prevent harmful galvanic action where copper is connected underground to steel. [See [para. 861.1.3\(a\)](#).]

849.5.2 Installation of Copper Service Lines. The following requirements shall apply to copper service lines within buildings:

(a) Copper service lines may be installed within buildings, provided that the service line is not concealed and is suitably protected against external damage.

(b) An underground copper service line installed through the outer foundation wall of a building shall be either encased in a sleeve or otherwise protected against corrosion. The annular space between the service line and sleeve shall be sealed at the foundation wall to prevent entry of gas or water.

(c) A copper service line installed underground under buildings shall be encased in a conduit designed to prevent gas leaking from the service line from getting into the building. When joints are used, they shall be of brazed or soldered type in accordance with [para. 849.5.1\(d\)](#).

849.6 Service Line Connections to Mains

849.6.1 Service Line Connections to Steel Mains.

Service lines may be connected to steel mains by

(a) welding a service line tee or similar device to the main.

(b) using a service line clamp or saddle.

(c) using compression fittings with rubber or rubber-like gaskets or welded connections to connect the service line to the main connection fitting. Gaskets used in a manufactured gas system shall be of a type that effectively resists that type of gas.

(d) welding a steel service line directly to the main (see [para. 831.4.2](#) and [Table 831.4.2-1](#)).

849.6.2 Service Line Connection to Cast Iron and Ductile Iron Mains

(a) Service lines may be connected to cast iron and ductile iron mains by

(1) drilling and tapping the main, provided the diameter of the tapped hole shall not exceed the limitations imposed by [para. 831.3.3\(b\)](#), or

(2) using a reinforcing sleeve

(b) Service line connections shall not be brazed directly to cast iron or ductile iron mains.

(c) Compression fittings using rubber or rubber-like gaskets or welded connections may be used to connect the service line to the main connection fitting.

(d) Gaskets used in a manufactured gas system shall be of a type that effectively resists that type of gas.

849.6.3 Service Line Connections to Plastic Mains

(a) Plastic or metal service lines shall be connected to plastic mains with suitable fittings.

(b) A compression-type service line to main connection shall be designed and installed to effectively sustain the longitudinal pullout forces caused by contraction of the piping or external loading.

849.6.4 Service Line Connections to Copper Mains

(a) Connections using a copper or cast bronze service line tee or extension fitting sweat-brazed to the copper main are recommended for copper mains.

(b) Butt welds are not permitted.

(c) Fillet-brazed joints are not recommended.

(d) The requirements of [para. 849.5.1\(d\)](#) shall apply to

(1) joints not specifically mentioned in (a) through (c)

(2) all brazing material

849.6.5 Plastic Service Line Connections to Metal Mains

(a) Plastic service lines shall be connected to metal mains with a suitable metallic or plastic main fitting as provided in [para. 849.6.1](#), [para. 849.6.2](#), or [para. 849.6.4](#) having a compression end or other suitable transition fitting.

(b) A compression-type service line to main connection shall be designed and installed to effectively sustain the longitudinal pullout forces caused by contraction of the piping or external loading.

Chapter V

Operating and Maintenance Procedures

850 OPERATING AND MAINTENANCE PROCEDURES AFFECTING THE SAFETY OF GAS TRANSMISSION AND DISTRIBUTION FACILITIES

850.1 General

(a) Because of many variables, it is not possible to prescribe in a code a detailed set of operating and maintenance procedures that will encompass all cases. It is possible, however, for each operating company to develop operating and maintenance procedures based on the provisions of this Code, its experience, and its knowledge of its facilities and conditions under which they are operated that will be adequate from the standpoint of public safety. For operating and maintenance procedures relating to corrosion control, see [Chapter VI](#).

(b) Upon initiating gas service in a pipeline designed and constructed or converted to gas service in accordance with this Code, the operating company shall determine the Location Class in accordance with [Table 854.1-1](#).

(22) 850.2 Basic Requirements

Each operating company having facilities within the scope of this Code shall

(a) have a written plan covering operating and maintenance procedures in accordance with the scope and intent of this Code.

(b) have a written emergency plan covering facility failure or other emergencies.

(c) operate and maintain its facilities in conformance with these plans.

(d) have a program or procedures for continuing vigilance by personnel performing operating and maintenance work in the vicinity of the pipeline for the purpose of recognizing and responding to conditions that could adversely affect the safety or future integrity of the pipeline. In addition, the operator shall provide appropriate training when required for this purpose.

(e) modify the plans in (a) through (d) periodically as experience dictates and as exposure of the public to the facilities or changes in operating conditions require.

(f) provide training for employees in procedures established for their operating and maintenance functions that is comprehensive and designed to prepare employees for providing service in their area of responsibility. See

[section 807](#) for guidance on the training and qualification of personnel performing tasks that could impact the safety or integrity of a pipeline.

(g) keep records to administer the plans in (a) through (f).

850.3 Essential Features of the Operating and Maintenance Plan

The plan prescribed in [para. 850.2\(a\)](#) shall include

(a) detailed plans and instructions for employees covering operating and maintenance procedures for gas facilities during normal operations and repairs.

(b) items recommended for inclusion in the plan for specific classes of facilities that are given in [paras. 851.2, 851.3, 851.4, 851.5, 851.6, and 860.1\(d\)](#).

(c) plans to give particular attention to those portions of the facilities presenting the greatest hazard to the public in the event of an emergency or because of construction or extraordinary maintenance requirements.

(d) provisions for periodic inspections along the route of existing steel pipelines or mains, operating at a hoop stress in excess of 40% of the specified minimum yield strength of the pipe material to consider the possibility of Location Class changes. It is not intended that these inspections include surveys of the number of buildings intended for human occupancy. (See [section 854](#).)

850.4 Essential Features of the Emergency Plan

850.4.1 Written Emergency Procedures. Each operating company shall establish written procedures that will provide the basis for instructions to appropriate operating and maintenance personnel that will minimize the hazard resulting from a gas pipeline emergency. At a minimum, the procedures shall provide for the following:

(a) a system for receiving, identifying, and classifying emergencies that require immediate response by the operating company

(b) indicating clearly the responsibility for instructing employees in the procedures listed in the emergency plans and for training employees in the execution of those procedures

(c) indicating clearly those responsible for updating the plan

(d) establishing a plan for prompt and adequate handling of all calls that concern emergencies whether they are from customers, the public, company employees, or other sources

(e) establishing a plan for the prompt and effective response to a notice of each type of emergency

(f) controlling emergency situations, including the action to be taken by the first employee arriving at the scene

(g) the dissemination of information to the public

(h) the safe restoration of service to all facilities affected by the emergency after proper corrective measures have been taken

(i) reporting and documenting the emergency

850.4.2 Training Program. Each operating company shall have a program for informing, instructing, and training employees responsible for executing emergency procedures. The program shall acquaint the employee with the emergency procedures and how to promptly and effectively handle emergency situations. The program may be implemented by oral instruction, written instruction, and, in some instances, group instruction, followed by practice sessions. The program shall be established and maintained on a continuing basis with provision for updating as necessitated by revision of the written emergency procedures. Program records shall be maintained to establish what training each employee has received and the date of such training.

850.4.3 Liaison

(a) Each operating company shall establish and maintain liaison with appropriate fire, police, and other public officials, entities in or near the pipeline right-of-way (e.g., electrical and other utilities, highway authorities, and railroads), and news media. See [para. 850.9.1](#) for additional guidance.

(b) Each operating company must have a means of communication with appropriate public officials during an emergency.

(c) Emergency procedures, including the contingency plan under [para. B854.5\(e\)](#), must be prepared in coordination with appropriate public officials.

850.4.4 Educational Program. An educational program shall be established to enable customers and the general public to recognize a gas emergency and report it to the appropriate officials. The educational program shall be tailored to the type of pipeline operation and the environment traversed by the pipeline and shall be conducted in each language that is significant in the community served. Operators of distribution systems shall communicate their programs to consumers and the general public in their distribution area. Operators of transmission systems shall communicate their programs to residents along their pipeline rights-of-way. Operators of sour gas pipelines subject to

[Chapter IX](#) shall notify residents affected by the contingency plan under [para. B854.5\(e\)](#) of the hazards of sour gas, the potential source of the gas, and protective measures to take in an emergency. The programs of operators in the same area shall be coordinated to properly direct reports of emergencies and to avoid inconsistencies. See [para. 850.9.1](#) for additional guidance.

850.5 Pipeline Failure Investigation

Each operating company shall establish procedures to analyze all failures and accidents for determining the cause and to minimize the possibility of a recurrence. This plan shall include a procedure to select samples of the failed facility or equipment for laboratory examination when necessary.

850.6 Prevention of Accidental Ignition

Smoking and all open flames shall be prohibited in and around structures, or areas under the control of the operating company containing gas facilities (such as compressor stations, meter and regulator stations, and other gas handling equipment), where possible leakage of gas constitutes a hazard of fire or explosion. Each operating company shall take steps to minimize the danger of accidental ignition of gas.

(a) When a hazardous amount of gas is to be vented into open air, each potential source of ignition shall first be removed from the area and adequate fire extinguishers shall be provided. All flashlights, lighting fixtures, extension cords, and tools shall be of a type approved for hazardous atmospheres. Blowdown connections that will direct the gas away from any electrical transmission lines must be installed or used.

(b) Suitable signs and flagmen or guards, if necessary, shall be posted to warn others approaching or entering the area of the hazard.

(c) To prevent accidental ignition by electric arcing, an adequate bonding cable should be connected to each side of any pipe that is to be parted, tapped, squeezed-off, or joined, and any cathodic protection rectifiers in the area shall be turned off. Where gas pipelines parallel overhead electric transmission lines on the same right-of-way, the company operating the pipeline shall ensure that the current carrying capacity of the bonding conductor should be at least one-half of the current carrying capacity of the overhead line conductors. [See also [para. 861.1.3\(b\)](#).] The bonding connection is to be maintained while the pipeline is separated. When plastic pipe is being parted, tapped, or joined, attention must be given to the static electrical charges that may be present on both the inside and outside diameters of the pipe. These charges can be dissipated by using antistatic fluids or a water-and-detergent solution in combination with a moisture retaining material that must be in contact with the exposed pipe and the earth. Cutting tools and squeeze-off and tapping equipment used on plastic pipe where

static charges may be present shall be grounded to drain these charges from the pipe.

(d) When cutting by torch or welding is to be performed, a thorough check shall first be made for the presence of a combustible gas mixture in the area outside of the pipeline. If found, the mixture shall be eliminated before starting welding or cutting. Monitoring of the air mixture should continue throughout the progress of the work.

(e) Should welding be anticipated on a pipeline filled with gas and the safety check under (d) has been completed satisfactorily, the gas pressure must be controlled by a suitable means to keep a slight positive pressure in the pipeline at the welding area before starting work. Precautions should be taken to prevent a backdraft from occurring at the welding area.

(f) Before cutting by torch or welding on a line that may contain a mixture of gas and air, it shall be made safe by displacing the mixture with gas, air, or an inert gas. Caution must be taken when using an inert gas to provide adequate ventilation for all workers in the area.

850.7 Blasting Effects

Each operating company shall establish procedures for protection of facilities in the vicinity of blasting activities. The operating company shall

(a) locate and mark its pipeline when explosives are to be detonated within distances as specified in company plans. Consideration should be given to the marking of minimum blasting distances from the pipelines depending upon the type of blasting operation.

(b) determine the necessity and extent of observing or monitoring blasting activities based upon the proximity of the blast with respect to the pipelines, the size of charge, and soil conditions.

(c) conduct a leak survey following each blasting operation near its pipelines.

850.8 Damage Prevention Program

Each operating company shall have a program to reduce the risk associated with damage to gas facilities resulting from excavation activities. Operators should consider including the following actions in the program:

(a) participating in excavation notification systems, in places where such a system exists. Excavation notification systems allow excavators to provide notification to a single point of contact, which in turn forwards the excavation details to participating facility owners/operators.

(b) identifying of persons who normally perform excavations in the area in which the operator has facilities, including the public, and providing for periodic communication with these parties in accordance with [section 850.9](#).

(c) receiving notifications of planned excavations, providing the excavators with locations of the operator's facilities through temporary field markings, establishing

lines of communication with the excavator to ensure the immediate protection and future operation of the facility, and consideration of monitoring excavation activities.

(d) establishing lines of communication with the excavator to allow for the immediate protection and future operation of the facility. Communications could include review of directional drilling plans, load restrictions, clearance requirements, hand excavation requirements, and formalized crossing and encroachment agreements.

(e) monitoring of excavation activities, as well as direct observation of excavation. Consideration should be given to the frequency of monitoring, criteria for continual observation, actions if the excavator refuses to follow operating company requirements, and documentation to be maintained during observations.

(f) performing inspections of pipelines where there are indications that the pipe could have been damaged as a result of excavation. If damage occurs that affects the integrity of the pipeline, the damage shall be remediated in accordance with established procedures.

(g) maintaining maps indicating the location of facilities. The maps should be updated to reflect new and replacement facilities.

(h) assessing the effectiveness of the program. This assessment may include trending of excavation damages and location, investigation of excavation damages and identification of root cause, and identification of preventive measures targeting excavators or locations with high damage rates.

A useful reference for identifying elements of an effective damage prevention program is the *Best Practices Guide*, maintained and published by the Common Ground Alliance.

850.9 Communication Plan

The operator shall develop and implement a communications plan to provide operating company personnel, jurisdictional authorities, emergency response officials, potential excavators, public officials, and the public with pipeline safety information to help keep communities near pipelines safe. The information may be communicated as part of other required communications.

Communications should be conducted as often as necessary so that appropriate individuals and authorities have access to current information about the operator's system, operation and maintenance efforts, and integrity management program (as described in ASME B31.8S).

API RP 1162 provides additional guidance.

850.9.1 External Communications. The following items should be considered for communication to the various interested parties, such as landowners and tenants along the rights-of-way, public officials, local and regional emergency responders, general public, excavators, and one-call centers:

(a) operating company name, location, and contact information (both routine and emergency contacts)

(b) general location information and instructions for obtaining more specific location information or maps

(c) facility description

(d) commodity transported

(e) potential hazards of a natural gas release

(f) how to recognize, report, and respond to a natural gas leak

(g) information about the operator's damage prevention program, including excavation notification phone numbers, excavation notification center requirements, and who to contact if there is any damage

(h) general information about the operator's integrity management program and how to obtain a summary of the integrity management program

(i) information about the operator's emergency response program

(j) continuing liaison with emergency responders, including local emergency planning commissions, regional and area planning committees, jurisdictional emergency planning offices, etc., to share information on each party's capabilities in responding to pipeline emergencies, pipeline facility information, maps, and emergency response plans

(k) dialogue with the public to convey the operator's expectations of the public as to how they can help the operator maintain integrity of the pipeline

850.9.2 Internal Communications. Operating company management and other appropriate personnel should understand and support the operation and maintenance efforts, damage prevention program, emergency response program, and integrity management program. This should be accomplished through the development and implementation of an internal communications aspect of the plan. The development and periodic review of performance measures and the resulting adjustments to the integrity management program should also be part of the internal communications plan.

851 PIPELINE MAINTENANCE

851.1 Periodic Surveillance of Pipelines

As a means of maintaining the integrity of its pipeline system, each operating company shall establish and implement procedures for periodic surveillance of its facilities. Studies shall be initiated and appropriate action shall be taken where unusual operating and maintenance conditions occur, such as failures, leakage history, drop in flow efficiency due to internal corrosion, or substantial changes in cathodic protection requirements.

When such studies indicate the facility is in unsatisfactory condition, a planned program shall be initiated to abandon, replace, or recondition and proof test. If such a facility cannot be reconditioned or phased out, the

maximum allowable operating pressure shall be reduced commensurate with the requirements described in [para. 845.2.2\(c\)](#).

851.2 Pipeline Patrolling

Each operating company shall maintain a periodic pipeline patrol program to observe surface conditions on and adjacent to each pipeline right-of-way, indications of leaks, construction activity other than that performed by the company, natural hazards, and any other factors affecting the safety and operation of the pipeline. Patrols shall be performed at least once every year in Location Classes 1 and 2, at least once every 6 months in Location Class 3, and at least once every 3 months in Location Class 4. Weather, terrain, size of line, operating pressures, and other conditions will be factors in determining the need for more frequent patrol. Main highways and railroad crossings shall be inspected with greater frequency and more closely than pipelines in open country.

851.2.1 Maintenance of Cover at Road Crossings and Drainage Ditches. The operating company shall determine by periodic surveys if the cover over the pipeline at road crossings and drainage ditches has been reduced below the requirements of the original design. If the operating company determines that the normal cover provided at the time of pipeline construction has become unacceptably reduced due to earth removal or line movement, the operating company shall provide additional protection by providing barriers, culverts, concrete pads, casing, lowering of the line, or other suitable means.

851.2.2 Maintenance of Cover in Cross-Country Terrain. If the operating company learns, as a result of patrolling, that the cover over the pipeline in cross-country terrain does not meet the original design, it shall determine whether the cover has been reduced to an unacceptable level. If the level is unacceptable, the operating company shall provide additional protection by replacing cover, lowering the line, or other suitable means.

851.3 Leakage Surveys

Each operating company of a transmission line shall provide for periodic leakage surveys of the line in its operating and maintenance plan. The types of surveys selected shall be effective for determining if potentially hazardous leakage exists. The extent and frequency of the leakage surveys shall be determined by the operating pressure, piping age, Location Class, and whether the transmission line transports gas without an odorant.

851.4 Repair Procedures for Steel Pipelines

Evaluation of pipeline defects and associated repair methods are discussed in [paras. 851.4.1](#) through [851.4.5](#). Additional guidance may be found in ASME

(22)

PCC-2, Repair of Pressure Equipment and Piping, and in the following PRCI documents: Pipeline Repair Manual (original or updated version), and Pipeline Defect Assessment — A Review and Comparison of Commonly Used Methods. Information on these documents is found in [Mandatory Appendix A](#).

The use of nonmetallic composite repair is prohibited for repairing leaks on pipelines operating over 100 psig (690 kPa). The use of nonmetallic composite repair is not recommended for repairing cracks or pipe manufacturing defects in pipelines unless reliable engineering analysis or testing has shown the effectiveness of the repair device and installation procedure when applied to such defects.

Repair materials or equipment for which no standards or specifications are referenced in this Code shall only be permitted if qualified in accordance with [para. 811.2.4](#). Such repairs shall be described in detail in documentation that is retained by the operating company.

If at any time a defect mentioned in the following subsections of [para. 851.4](#) is evident on a pipeline, temporary measures shall be employed immediately to protect the property and the public. If it is not feasible to make repairs at the time of discovery, permanent repairs shall be made as soon as described herein. The use of a welded patch as a repair method is prohibited, except as provided in [para. 851.4.4\(e\)](#). Whenever a pipeline remains pressurized while being exposed to investigate or repair a likely defect, the operating pressure shall be at a level that provides safety during excavation, investigation and/or repair operations.

(a) If there is sufficient information about the defect to determine through engineering analysis the pressure at which excavation, investigation, and/or repair operations may be conducted safely, the pipeline shall be operated at or below this pressure during these activities.

(b) If there is insufficient information about the defect to determine the pressure at which excavation, investigation, and/or repair operations may be conducted safely, the pipeline shall be operated at a pressure no greater than 80% of the operating pressure at the time of discovery. The operating pressure shall remain at or below this reduced pressure during these activities unless sufficient information becomes available to determine a different pressure.

Nonleaking corroded areas that must be repaired or replaced are defined in [para. 860.2\(a\)](#). Longitudinal weld seams are commonly identified by visual examination, etchants, or ultrasonic examination.

A full encirclement welded split sleeve with welded ends shall have a design pressure at least equal to that required for the maximum allowable operating pressure of the pipe being repaired [see [para. 841.1.1\(a\)](#)]. If conditions require that the sleeve carry the full longitudinal stresses, the design and fabrication details shall ensure that the pipeline design criteria are met with consideration given to circumferential fillet welds (see ASME PCC-2,

Article 206). Full encirclement sleeves shall not be less than 4 in. (100 mm) in width.

If the defect is not a leak, the circumferential fillet welds are optional in certain cases as described in the following sections of [paras. 851.4.1](#) through [851.4.5](#). If circumferential fillet welds are made, the sleeve's longitudinal welds shall be butt welds. The welding procedures for the circumferential fillet welds shall be suitable for the materials and shall consider the potential for underbead cracking. Backup strips are not required. If circumferential fillet welds are not made, the longitudinal welds may be butt welds, or fillets to a side bar. The circumferential edges, which would have been sealed had the fillet weld been made, should be sealed with a coating material such as enamel or mastic, so that the soil environment will be kept out of the area under the sleeve.

Prior to the installation of a sleeve, the pipe body shall be examined by ultrasonic methods for laminations where sleeve fillet welds will be deposited onto the pipe body.

Consideration shall be given to the toughness characteristics and quality of all seam welds when depositing welds across the seam in the course of repairs.

851.4.1 Definition of Injurious Dents and Mechanical Damage

(a) Dents are indentations of the pipe or distortions of the pipe's circular cross section caused by external forces.

(b) Plain dents are dents that vary smoothly and do not contain creases, mechanical damage [such as described in [\(c\)](#)], corrosion, arc burns, girth, or seam welds.

(c) Mechanical damage is damage to the pipe surface caused by external forces. Mechanical damage includes features such as creasing of the pipe wall, gouges, scrapes, smeared metal, and metal loss not due to corrosion. Cracking may or may not be present in conjunction with mechanical damage. Denting of the pipe may or may not be apparent in conjunction with mechanical damage.

(d) Plain dents are defined as injurious if they exceed a depth of 6% of the nominal pipe diameter. Upon further analysis, plain dents of any depth are acceptable and are not considered injurious provided strain levels associated with the deformation do not exceed the following strain limits:

(1) half of the minimum elongation specified for a tensile strap test in accordance with the pipe product manufacturing specification or pipe purchase specification

(2) 40% of the average elongation from pipe manufacturer mill test reports

(3) where the pipe mill test reports are unavailable and the specification of the pipe is not known with certainty, a maximum strain level of 6%

Strain levels may be calculated in accordance with [Nonmandatory Appendix R](#) or other engineering methodology. In evaluating the depth of plain dents, the need for the segment to be able to safely pass an internal inspection

or cleaning device shall also be considered. Any dents that are not acceptable for this purpose should be removed prior to passing these devices through the segment, even if the dent is not injurious.

(e) All external mechanical damage with or without concurrent visible indentation of the pipe is considered injurious.

(f) Dents that contain corrosion are injurious if the corrosion is in excess of what is allowed by [para. 860.2\(a\)](#), or if they exceed a depth of 6% of the nominal pipe diameter.

(g) Dents that contain stress corrosion cracks or other cracks are injurious.

(h) Dents that affect ductile girth or seam welds are injurious if they exceed a depth of 2% of the nominal pipe diameter, except those evaluated and determined to be safe by an engineering analysis that considers weld quality, nondestructive examinations, and operation of the pipeline are acceptable provided strain levels associated with the deformation do not exceed 4%. It is the operator's responsibility to establish the quality level of the weld.

(i) Dents of any depth that affect nonductile welds, such as acetylene girth welds or seam welds that are prone to brittle fracture, are injurious.

(j) The allowable height of mild ripples in carbon steel pipe formed during the cold bending process can be determined from [Figure 851.4.1-1](#), where d is the maximum depth or crest-to-trough dimension of the ripple and D is the specified outside diameter of the pipe. Ripples in carbon steel pipe are acceptable if their height is below the line shown. Ripples with heights above the line may be shown to be acceptable using a more rigorous analysis.

full encirclement steel sleeve with open ends or with ends welded to the pipe.

(2) External mechanical damage, and all dents affecting acetylene girth welds or seam welds that are known to exhibit brittle fracture characteristics may be repaired with a full encirclement steel sleeve with ends welded to the pipe.

(3) External mechanical damage, including cracks, may be repaired by grinding out the damage, provided any associated indentation of the pipe does not exceed a depth of 4% of the nominal pipe diameter. Grinding is permitted to a depth of 10% of the nominal pipe wall with no limit on length. Grinding shall produce a smooth contour in the pipe wall. The remaining wall thickness shall be verified using ultrasonic examination. After grinding, the surface shall be examined for cracks using a nondestructive surface examination method capable of detecting cracks, and the surface shall be examined with a suitable etchant per [para. 841.2.4\(e\)](#). If grinding within the depth and length limitations fails to completely remove the damage, the damage shall be removed or repaired in accordance with (2).

(-a) For pipelines operating at or above 30% SMYS, grinding is permitted to a depth greater than 10% up to a maximum of 40% of the pipe nominal wall thickness, with metal removal confined to a length given by the following equation:

$$L = 1.12 \left\{ (Dt) \left[\left(\frac{a/t}{1.1a/t - 0.11} \right)^2 - 1 \right] \right\}^{1/2}$$

where

a = measured maximum depth of ground area, in. (mm)

D = nominal outside diameter of the pipe, in. (mm)

L = maximum allowable longitudinal extent of the ground area, in. (mm)

t = nominal wall thickness of pipe, in. (mm)

(-b) For pipelines operating below 30% SMYS, grinding is permitted to lengths and depths meeting the acceptance criteria of ASME B31G.

(4) Dents containing stress corrosion cracking may be repaired by grinding out the cracks to a length and depth permitted in [para. 860.2\(a\)](#) for corrosion in plain pipe. The wall thickness shall be checked using ultrasonic examination. After grinding, the surface shall be examined for cracks using a nondestructive surface examination method capable of detecting cracks and the surface shall be examined with a suitable etchant as per [para. 841.2.4\(e\)](#). If grinding within the depth and length limitations fails to completely remove the damage, the damage shall be removed or repaired in accordance with (1).

(22) **851.4.2 Permanent Field Repairs of Injurious Dents and Mechanical Damage**

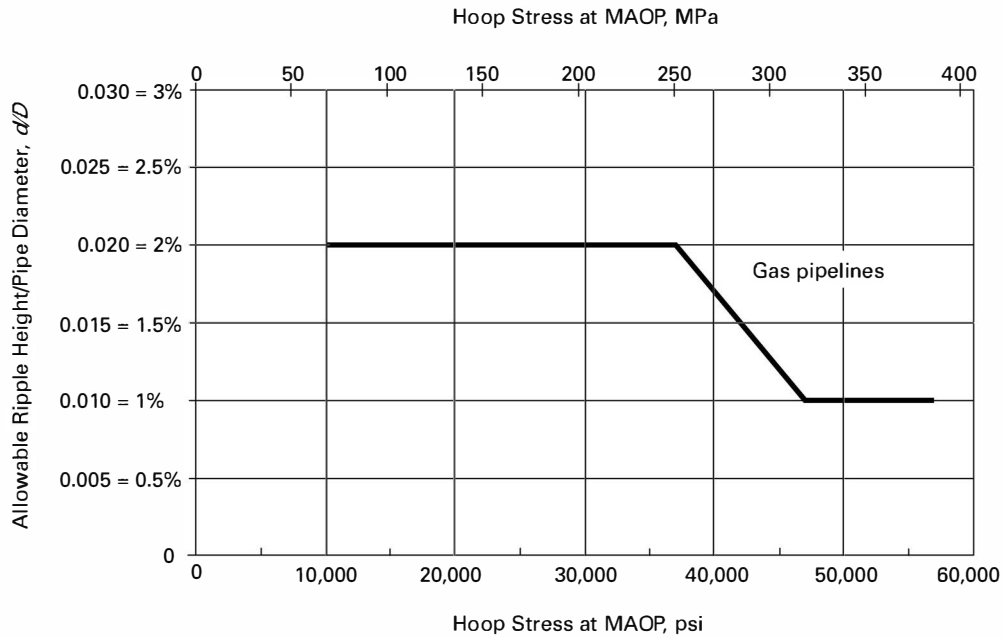
(a) Injurious dents and mechanical damage shall be removed or repaired by one of the methods below, or the operating pressure shall be reduced. The reduced pressure shall not exceed 80% of the operating pressure experienced by the injurious feature at the time of discovery. Pressure reduction does not constitute a permanent repair.

(b) Removal of injurious dents or mechanical damage shall be performed by taking the pipeline out of service and cutting out a cylindrical piece of pipe and replacing same with pipe of equal or greater design pressure, or by removing the defect by hot tapping, provided the entire defect is removed.

(c) Repairs of injurious dents or mechanical damage shall be performed as described below.

(1) Plain dents, dents containing corrosion, dents containing stress corrosion cracking, and dents affecting ductile girth welds or seams may be repaired with either a

Figure 851.4.1-1
Allowable Ripple Heights



GENERAL NOTE: Source: "Development of Acceptance Criteria for Mild Ripples in Pipeline Field Bends" paper IPC02-27124 from the International Pipeline Conference 2002. Copyright © 2002 by The American Society of Mechanical Engineers.

(d) If a dent or mechanical damage is repaired with a sleeve not designed to carry maximum allowable operating line pressure, the dent shall first be filled with an incompressible filler. If the sleeve is designed to carry maximum allowable operating pressure, the incompressible filler is recommended but not required.

(e) Nonmetallic composite wrap repairs are not acceptable for repair of injurious dents or mechanical damage, unless proven through reliable engineering tests and analysis.

(f) All repairs under (a) through (e) shall pass nondestructive examinations and tests as provided in para. 851.5.

851.4.3 Permanent Field Repair of Welds Having Injurious Defects

(a) All circumferential butt welds found to have unacceptable defects (according to API Std 1104) shall be repaired in accordance with the requirements of section 827, provided the pipeline can be taken out of service. Repairs on welds may be made while the pipeline is in service, provided the weld is not leaking, the pressure in the pipeline has been reduced to a pressure that will not produce a hoop stress in excess of 20% of the specified minimum yield of the pipe, and grinding of the defective area can be limited so that there will remain at least $\frac{1}{8}$ in. (3.2 mm) thickness in the pipe weld.

(b) Defective welds mentioned in (a), which cannot be repaired under (a) and where it is not feasible to remove the defect from the pipeline by replacement, may be repaired by the installation of a full encirclement welded split sleeve using circumferential fillet welds.

(c) If a manufacturing defect is found in a double submerged-arc welded seam or high-frequency weld (HFW) seam, a full encirclement welded split sleeve shall be installed.

(d) If a manufacturing defect is discovered in a low frequency weld (LFW) seam or any seam having a longitudinal weld joint quality factor, E less than 1.0 in Table 841.1.7-1, or if hydrogen stress cracking is found in any weld zone, a full encirclement welded split sleeve designed to carry maximum allowable operating pressure shall be installed.

(e) Corroded areas may be repaired by filling them with deposited weld metal using a low-hydrogen welding process. Repairs shall be accomplished in accordance with a written maintenance procedure, which when followed will permanently restore the required wall thickness and mechanical properties of the pipeline. The welding procedures and welders shall be qualified under para. 823.2.1. The procedures shall provide sufficient direction for avoiding burn-through and minimizing the risk of hydrogen cracking on in-service pipelines. For background information on developing a weld deposition

Table 851.4.4-1
Wall Thickness for Unlikely Occurrence of Burn-Through

psia (kPa)	Gas Velocity, ft/sec (m/s)			
	0	5 (1.5)	10 (3.0)	20 (6.1)
15 (100)	0.320 in. (8.13 mm)
500 (3,450)	0.300 in. (7.62 mm)	0.270 in. (6.86 mm)	0.240 in. (6.10 mm)	0.205 in. (5.21 mm)
900 (6,200)	0.280 in. (7.11 mm)	0.235 in. (5.97 mm)	0.190 in. (4.83 mm)	0.150 in. (3.81 mm)

repair procedure, refer to the PRCI Catalog L51782 document, Guidelines for Weld Deposition Repair on Pipelines; further information on this standard is in [Mandatory Appendix A](#). This method of repair shall not be attempted on pipe that is thought to be susceptible to brittle failure.

(f) All repairs performed under (a) through (e) shall be tested and inspected as provided in [para. 851.5](#).

851.4.4 Permanent Field Repair of Leaks and Nonleaking Corroded Areas

(a) If feasible, the pipeline shall be taken out of service and repaired by cutting out a cylindrical piece of pipe and replacing with pipe of equal or greater design pressure.

(b) If it is not feasible to take the pipeline out of service, repairs shall be made by the installation of a full encirclement welded split sleeve, unless corrosion is repaired with deposited weld metal in accordance with (e) or unless a patch is chosen in accordance with (f). If nonleaking corrosion is repaired with a full encirclement welded split sleeve, the circumferential fillet welds are optional.

(c) If the leak is due to a corrosion pit, the repair may be made by the installation of a properly designed bolt-on leak clamp.

(d) A small leak may be repaired by welding a nipple over it to vent the gas while welding and then installing an appropriate fitting on the nipple.

(e) Small corroded areas may be repaired by filling them with deposited weld metal from low-hydrogen electrodes. The higher the pressure and the greater the flow rate, the lesser the chance of burn-through. At 20 V and 100 A, burn-through is unlikely to occur when the actual wall thicknesses exist, as shown in [Table 851.4.4-1](#).

This method of repair should not be attempted on pipe that is thought to be susceptible to brittle fracture.

(f) Leaking or nonleaking corroded areas on pipe with a specified minimum yield strength of not more than 40,000 psi (276 MPa) may be repaired by using a steel plate patch with rounded corners and with dimensions not in excess of one-half the circumference of the pipe fillet welded over the pitted area. The repair plate design and fabrication details shall ensure that the pipeline design criteria are met. This method of repair should not be attempted on pipe that is thought to be susceptible to hydrogen cracking/brittle fracture.

(g) All repairs performed under (a) through (f) shall be tested and inspected as provided in [para. 851.5](#).

851.4.5 Permanent Field Repair of Hydrogen Stress Cracking in Hard Spots and Stress Corrosion Cracking

(a) If feasible, the pipeline shall be taken out of service and repaired by cutting out a cylindrical piece of pipe and replacing with pipe of equal or greater design pressure.

(b) If it is not feasible to take the pipeline out of service, repairs shall be made by the installation of a full encirclement welded split sleeve. In the case of stress corrosion cracking, the fillet welds are optional. If the fillet welds are made, pressurization of the sleeve is optional. The same applies to hydrogen stress cracking in hard spots, except that a flat hard spot shall be protected with a hardenable filler or by pressurization of a fillet-welded sleeve. Stress corrosion cracking may also be repaired per [para. 851.4.2\(c\)\(4\)](#), which describes repairs for stress corrosion cracking in dents.

(c) All repairs performed under (a) and (b) shall be tested and inspected as provided in [para. 851.5](#).

851.5 Testing Repairs to Steel Pipelines or Mains

851.5.1 Testing of Replacement Pipe Sections. When a scheduled repair to a pipeline or main is made by cutting out the damaged portion of the pipe as a cylinder and replacing it with another section of pipe, the replacement section of pipe shall be subjected to a pressure test. The replacement section of pipe shall be tested to the pressure required for a new pipeline or main installed in the same location. The tests may be made on the pipe prior to installation, provided nondestructive tests meeting the requirements of [section 826](#) are made on all field girth butt welds after installation. If the replacement is made under controlled fire conditions (gas in the pipeline), full encirclement pressure-containing type B, welded split sleeves (see ASME PCC-2) may be used to join the pipe sections instead of butt welds. All sleeve welds should be radiographed. (See [para. 851.5.2](#).)

851.5.2 Nondestructive Testing of Repairs, Gouges, Grooves, Dents, and Welds. If the defects are repaired by welding in accordance with the provisions of [para. 851.4](#) and any of its subsections, the welding shall be examined in accordance with [section 826](#).

851.5.3 Leak Testing of Leak Repairs. In addition to the requirements of [paras. 851.5.1](#) and [851.5.2](#), repairs made to leaks shall be leak tested. The leak test shall be performed in accordance with [Nonmandatory Appendix M, M-3\(e\), M-3\(f\), or M-3\(g\)](#). The leak test pressure shall be at or above the maximum operating pressure available when the repair is placed back into service.

851.6 Pipeline Leak Records

Records shall be made covering all leaks discovered and repairs made. All pipeline breaks shall be reported in detail. These records along with leakage survey records, line patrol records, and other records relating to routine or unusual inspections shall be kept in the file of the operating company, as long as the section of line remains in service.

851.7 Pipeline Markers

(a) Signs or markers shall be installed where it is considered necessary to indicate the presence of a pipeline at road, highway, railroad, and stream crossings. Additional signs and markers shall be installed along the remainder of the pipeline at locations where there is a probability of damage or interference.

(b) Signs or markers and the surrounding right-of-way shall be maintained so markers can be easily read and are not obscured.

(c) The signs or markers shall include the words "Gas (or name of gas transported) Pipeline," the name of the operating company, and the telephone number (including area code) where the operating company can be contacted.

851.8 Abandoning of Transmission Facilities

Each operating company shall have a plan in its operating and maintenance procedures for abandoning transmission facilities. The plan shall include the following provisions:

(a) Facilities to be abandoned shall be disconnected from all sources and supplies of gas such as other pipelines, mains, crossover piping, meter stations, control lines, and other appurtenances.

(b) Facilities to be abandoned in place shall be purged of gas with an inert material and the ends shall be sealed, except that

(c) After precautions are taken to determine that no liquid hydrocarbons remain in the facilities to be abandoned, then such facilities may be purged with air. If the facilities are purged with air, then precautions must be taken to determine that a combustible mixture is not present after purging. [See [para. 841.2.7\(e\)](#).]

851.9 Decommissioning of Transmission Facilities

Operators planning the decommissioning (temporary disconnect) of transmission facilities shall develop procedures for the decommissioning of facilities from service. The procedures shall include the following:

(a) Facilities to be decommissioned shall be isolated and sealed from all sources and supplies of gas, such as other pipelines, mains, crossover piping, meter stations, control lines, and other appurtenances.

(b) Purge facilities to be commissioned with an inert material and effectively seal the ends. For facilities where purging is not necessary and where a need to restore to service exists, a small amount of gas can remain in the facility provided the gas amount poses no potential hazard, and contains no corrosive contaminants exceeding pipeline quality standards such as water, carbon dioxide, and sulfides.

(c) After the facilities have been decommissioned, the maintenance procedures shall continue to be applied as if the facility were still in service.

(d) The cathodic protection shall be maintained with the periodic inspections and record keeping to continue as if the facility were still in service.

(e) For stations where blanket gas remains, the Emergency Shut Down (ESD) system shall remain in service. Some modification to the ESD system may be required to allow for a low pressure ESD. The hazardous gas and fire detectors should remain in service to blow the units and piping down, if necessary.

851.10 Recommissioning of Transmission Facilities

Operators planning to recommission (reactivate) transmission facilities temporarily removed from service shall develop written procedures for recommissioning facilities to service. The procedures shall include the following:

(a) Before a facility is recommissioned, all maintenance and cathodic protection records shall be reviewed to ensure that the condition and integrity of the facility has been maintained during the decommissioned period.

(b) Facilities to be recommissioned that have been decommissioned for an extended period of time shall be repressured incrementally.

(c) A leak survey shall be performed after the facility has been recommissioned. Any defects or leaks discovered shall be repaired before the facility is back in full operation.

851.11 Repositioning a Pipeline in Service

When repositioning a pipeline in service, the following are some of the factors that shall be considered:

- (a) deflection
- (b) diameter, wall thickness, and grade of pipe
- (c) pipeline pressure
- (d) type of girth welds

- (e) test and operating history
- (f) presence of defects
- (g) existing curvature
- (h) bends
- (i) valves and fittings
- (j) terrain and soil conditions
- (k) personnel safety considerations
- (l) additional stresses caused by repositioning of the pipeline

851.12 Pressure Testing for Integrity Assessment of In-Service Pipelines

The integrity of an in-service pipeline may be determined by pressure testing for strength and leaks. Comparison of new test pressures with previous test pressures will show that the integrity of the pipeline has not been reduced if new test pressures are equal to or greater than previous test pressures. If there was no previous strength test with which to compare the current test, a minimum specified margin of safety can be established. A strength test, however, will not indicate ongoing deterioration of the pipeline that has not progressed to the point where defects fail during the strength test. Refer to [Nonmandatory Appendix N](#) for hydrostatic testing guidelines.

851.12.1 Pressure Test Levels. When establishing test pressures for a test section, the maximum test pressure shall be determined by the operator to prevent damage to the pipeline and its components. Consideration must be given to the effect of test section elevation differences on the test pressure. Whenever test pressure will cause a hoop stress in excess of 100% of the SMYS, refer to [Nonmandatory Appendix N, section N-5](#) for guidance on yield monitoring. The minimum test pressure shall be as required by (a) through (c).

(a) To determine the integrity of an in-service pipeline by strength testing, the pipeline shall be strength tested at a pressure that will cause a hoop stress of at least 90% of the SMYS in the segment with the lowest design or rated pressure in the section tested except as provided in (b) or (c).

(b) For pipelines in which stress corrosion cracking (SCC) has been identified, defects may be mitigated by pressure testing to a pressure that will create a hoop stress of at least 100% of the SMYS at the high point elevation.

(c) For those in-service pipelines for which the hoop stress percent of the SMYS cannot be accurately determined or those pipelines that operate at hoop stress levels lower than maximum design pressure, the minimum strength test pressure shall be 1.10 times the MAOP.

(d) Following the strength test period, a leak test should be performed. The leak test pressure should be at least 1.10 times the MAOP of the pipeline.

851.12.2 Pressure Hold Period

(a) The strength test pressure shall be held for a minimum time period of $\frac{1}{2}$ hr, except for those lines with known SCC, which are to be pressure tested in accordance with (b).

(b) The pressure test for SCC shall be held long enough for the test pressure to stabilize, in most cases $\frac{1}{2}$ hr or less.

(c) The leak test pressure should be maintained for as long as necessary to detect and locate or evaluate any leakage of test media. Additional leak test methods may be employed if detection of leakage of the test media is not practical due to very small leaks such as may be experienced after testing for SCC.

851.12.3 Time Interval Between Tests. The time interval between pressure tests, or performing the initial pressure test if the pipeline was not post-construction tested, should be based upon an engineering critical assessment to prevent defects from growing to critical sizes. That engineering critical assessment should include consideration of the following factors:

(a) *Risk to the Public.* The first consideration in a test or retest should be the exposure that the public could have to a failure of a given pipeline.

(b) *Stress Level of Previous Test.* Testing shows that the higher the stress level of the strength test, the smaller the remaining flaw will be. Smaller remaining flaws will result in a longer time before the flaw could be expected to grow to a critical size, if not mitigated. This means that increasing the ratio of the test pressure to the operating pressure may potentially increase the retest interval.

(c) *Corrosion Growth Rate.* The corrosion growth rate on a given pipeline depends upon the aggressiveness of the corrosive environment and the effectiveness of corrosion control measures.

(d) *Maintenance.* Deterioration of the pipeline is also a function of the timing and effectiveness of actions to correct such conditions as corrosion control deficiencies, external force damage, and operating conditions that increase the potential for corrosion. The effectiveness of programs to prevent damage by excavation affects pipeline maintenance.

(e) *Other Inspection Methods.* In-line inspection, external electrical surveys of coating condition and cathodic protection levels, direct inspection of the pipe, monitoring of internal corrosion, monitoring of gas quality, and monitoring to detect encroachment are methods that can be used to predict or confirm the presence of defects that may reduce the integrity of the pipeline.

851.13 Depressurization

(22)

API Std 521 can be used as guidance to depressurize a pipeline.

852 DISTRIBUTION PIPING MAINTENANCE

852.1 Patrolling

Distribution mains shall be patrolled in areas where necessary to observe factors that may affect safe operation. The patrolling shall be considered in areas of construction activity, physical deterioration of exposed piping and supports, or any natural causes, which could result in damage to the pipe. The frequency of the patrolling shall be determined by the severity of the conditions that could cause failure or leakage and the subsequent hazards to public safety.

852.2 Leakage Surveys

Each operating company having a gas distribution system shall set up in its operating and maintenance plan a provision for making periodic leakage surveys on the system.

852.2.1 Types of Surveys. The types of surveys selected shall be effective for determining if potentially hazardous leakage exists. The following are some procedures that may be employed:

- (a) surface gas detection surveys
- (b) subsurface gas detector survey (including bar hole surveys)
- (c) vegetation surveys
- (d) pressure drop tests
- (e) bubble leakage tests
- (f) ultrasonic leakage tests

A detailed description of the various surveys and leakage detection procedures is shown in [Nonmandatory Appendix M](#).

852.2.2 Frequency of Surveys. The extent and frequency of leakage surveys shall be determined by the character of the general service area, building concentrations, piping age, system condition, operating pressure, and any other known condition (such as surface faulting, subsidence, flooding, or an increase in operating pressure) that has significant potential to either start a leak or to cause leaking gas to migrate to an area where it could result in a hazardous condition. Special one-time surveys should be considered following exposure of the gas distribution system to unusual stresses (such as those resulting from earthquakes or blasting). The leakage survey frequencies shall be based on operating experience, sound judgment, and a knowledge of the system. Once established, frequencies shall be reviewed periodically to affirm that they are still appropriate. The frequencies of the leakage survey shall at least meet the following:

- (a) Distribution systems in a principal business district should be surveyed at least annually. Such surveys shall be conducted using a gas detector and shall include tests of the atmosphere that will indicate the presence of gas in

utility manholes, at cracks in the pavement and sidewalks, and at other locations that provide opportunities for finding gas leaks.

- (b) The underground distribution system outside the areas covered by (a) should be surveyed as frequently as experience indicates necessary, but not less than once every 5 yr.

852.3 Leakage Investigation and Action

852.3.1 Leakage Classification and Repair. Leaks located by surveys and/or investigation should be evaluated, classified, and controlled in accordance with the criteria set forth in [Nonmandatory Appendix M, section M-5](#).

Prior to taking any repair action, leaks should be pinpointed but only after it has been established that an immediate hazard does not exist or has been controlled by such emergency actions as evacuation, blocking an area off, rerouting traffic, eliminating sources of ignition, ventilating, or stopping the flow of gas. The pinpointing guidelines provided in [Nonmandatory Appendix M, section M-6](#) should be followed.

852.3.2 Investigation of Reports From Outside Sources. Any notification from an outside source (such as police or fire department, other utility, contractor, customer, or general public) reporting a leak, explosion, or fire, which may involve gas pipelines or other gas facilities, shall be investigated promptly. If the investigation reveals a leak, the leak should be classified and action should be taken in accordance with the criteria in [Nonmandatory Appendix M, section M-5](#).

852.3.3 Odor or Indications From Foreign Sources. When potentially hazardous leak indications (such as natural, sewer, or marsh gas or gasoline vapors) are found to originate from a foreign source or facility or customer-owned piping, they shall be reported to the operator of the facility and, where appropriate, to the police department, fire department, or other governmental agency. When the company's pipeline is connected to a foreign facility (such as the customer's piping), necessary action, such as disconnecting or shutting off the flow of gas to the facility, shall be taken to eliminate the potential hazard.

852.3.4 Follow-Up Inspections. While the excavation is open, the adequacy of leak repairs shall be checked by using acceptable methods. The perimeter of the leak area shall be checked with a gas detector. In the case of a Grade 1 leak repair as defined in [Nonmandatory Appendix M](#), where there is residual gas in the ground, a follow-up inspection should be made as soon as practicable after allowing the soil to vent to the atmosphere and stabilize, but in no case later than 1 month following the repair. In the case of other leak repairs, the need for a follow-up inspection should be determined by qualified personnel.

852.4 Requirements for Abandoning, Disconnecting, and Reinstating Distribution Facilities

852.4.1 Abandoning of Distribution Facilities. Each operating company shall have a plan for abandoning inactive facilities, such as service lines, mains, control lines, equipment, and appurtenances for which there is no planned use.

The plan shall also include the following provisions:

(a) If the facilities are abandoned in place, they shall be physically disconnected from the piping system. The open ends of all abandoned facilities shall be capped, plugged, or otherwise effectively sealed. The need for purging the abandoned facility to prevent the development of a potential combustion hazard shall be considered and appropriate measures shall be taken. Abandonment shall not be completed until it has been determined that the volume of gas or liquid hydrocarbons contained within the abandoned section poses no potential hazard. Air or inert gas may be used for purging, or the facility may be filled with water or other inert material. [See [para. 841.2.7\(e\)](#).] If air is used for purging, the operating company shall determine that a combustible mixture is not present after purging. Consideration shall be given to any effects the abandonment may have on an active cathodic protection system, and appropriate action shall be taken.

(b) In cases where a main and the service lines connected to it are abandoned, insofar as service lines are concerned, only the customer's end of such service lines needs to be sealed as stipulated above.

(c) Service lines abandoned from the active mains should be disconnected as close to the main as practicable.

(d) All valves left in the abandoned segment should be closed. If the segment is long and there are few line valves, consideration should be given to plugging the segment at intervals.

(e) All above-grade valves, risers, and vault and valve box covers shall be removed. Vault and valve box voids shall be filled with suitable compacted backfill material.

852.4.2 Temporarily Disconnected Service. Whenever service to a customer is temporarily discontinued, one of the following shall be complied with:

(a) The valve that is closed to prevent the flow of gas to the customer shall be provided with a locking device or other means designed to prevent the opening of the valve by persons other than those authorized by the operating company.

(b) A mechanical device or fitting that will prevent the flow of gas shall be installed in the service line or in the meter assembly.

(c) The customer's piping shall be physically disconnected from the gas supply and the open pipe ends shall be sealed.

852.4.3 Test Requirements for Reinstating Abandoned Facilities and Temporarily Disconnected Service Lines. Facilities previously abandoned shall be tested in the same manner as new facilities before being reinstated.

Service lines previously abandoned shall be tested in the same manner as new service lines before being reinstated.

Service lines temporarily disconnected because of main renewals or other planned work shall be tested from the point of disconnection to the service line valve in the same manner as new service lines before reconnecting, except

(a) when provisions to maintain continuous service are made, such as by installation of a bypass, any portion of the original service line used to maintain continuous service need not be tested; or

(b) when the service line has been designed, installed, tested, and maintained in accordance with the requirements of this Code

852.5 Plastic Pipe Maintenance

852.5.1 Squeezing-Off and Reopening of Thermoplastic Pipe or Tubing for Pressure Control (22)

(a) Before thermoplastic pipe or tubing is squeezed-off and reopened, it is required that investigations and tests be made to determine that the particular type, grade, specified outside diameter, and specified minimum wall thickness of pipe or tubing of the same manufacture can be squeezed-off and reopened without causing failure under the conditions that will prevail at the time of the squeezing-off and reopening.

(b) After compliance with (a), whenever thermoplastic pipe or tubing is squeezed-off and reopened, it is required that

(1) the work be done with equipment and procedures that have been established and proven by test to be capable of performing the operation safely and effectively

(2) the squeezed-off and reopened area of the pipe or tubing be reinforced in accordance with the appropriate provisions of [para. 852.5.2](#), unless it has been determined by investigation and test that squeeze-off and reopening do not affect the long-term properties of the pipe or tubing

(c) Squeeze-off and reopening shall be done in accordance with ASTM F1041, Standard Guide for Squeeze-Off of Polyolefin Gas Pressure Pipe and Tubing, and ASTM F1563, Standard Specification for Tools to Squeeze-Off Polyethylene (PE) Gas Pipe or Tubing.

(d) Refer to [Nonmandatory Appendix C](#) for a list of other pertinent ASTM standards and industry literature.

852.5.2 Repair of Plastic Pipe or Tubing. If at any time an injurious defect, groove, gouge, or dent is found in plastic pipe or tubing, the damaged or defective section shall be replaced unless satisfactory repairs are made.

The damaged section can be cut out and replaced in accordance with applicable provisions of [para. 842.3](#). The replacement pipe or tubing shall be 100% visually inspected inside and out. There shall be no visible defects on the inside or outside of the replacement pipe or tubing. The replacement pipe or tubing shall be leak tested at available system pressure.

Repairs shall be made in accordance with qualified procedures that have been established and proven by test and in accordance with the following (special consideration shall be given to ensure that the repair procedure is applicable at the ambient temperature during the repair):

(a) The recommendations of the plastic manufacturer shall be taken into consideration when determining the type of repair to be made. Special consideration shall be given to the extent of fiber damage in the case of thermo-setting plastic pipe.

(b) If a patch or full encirclement sleeve is used, it shall extend at least $\frac{1}{2}$ in. (13 mm) beyond the damaged area.

(c) If a full encirclement split sleeve is used, the joining line between the halves of the sleeve shall be as far as possible from the defect, but in no case closer than $\frac{1}{2}$ in. (13 mm). Suitable precautions shall be taken to ensure a proper fit at the longitudinal seam.

(d) The patch or sleeve material shall be the same type and grade as the pipe or tubing being repaired. Wall thickness of the patch or sleeve shall be at least equal to that of the pipe or tubing.

(e) The method of attachment of the patch or sleeve shall be compatible with the material and shall conform to the applicable provisions of [para. 842.2.9\(b\)](#). Precautions shall be taken to ensure a proper fit and a complete bond between the patch or sleeve and the pipe being repaired. The patch or sleeve shall be clamped or held in place by other suitable means during the setting or curing of the bonding material or during the hardening of a heat-fusion bond. Excess solvent cement shall be removed from the edges of the patch or sleeve.

852.6 Piping Maintenance Records

852.6.1 Inspection of Underground Piping. Whenever any portion or section of an existing underground distribution piping system is uncovered for operating or maintenance purposes or for the installation of new facilities, the following information shall be recorded:

(a) the condition of the surface of bare pipe, if pitted or generally corroded

(b) the condition of the pipe surface and of the protective coating where the coating has deteriorated to the extent that the pipe is corroding underneath

(c) any damaged protective coating

(d) any repairs made

852.6.2 Cause of Cast Iron Breakage. Whenever broken cast iron facilities are uncovered, the cause of breakage, such as thermal effect, backfill, or construction by others, shall be recorded if it can be determined.

852.6.3 Analysis of Condition Records. Distribution piping condition records shall be analyzed periodically. Any indicated remedial action on the piping system shall be taken and recorded.

852.7 Cast Iron Pipe Maintenance

852.7.1 Sealing Joints of 25 psig (170 kPa) or More. Each cast iron caulked bell and spigot joint operating at pressures of 25 psig (170 kPa) or more that is exposed for any reason must be sealed with a mechanical leak clamp or a material or device that does not reduce the flexibility of the joint and permanently seals and bonds.

852.7.2 Sealing Joints Under 25 psig (170 kPa). Each cast iron caulked bell and spigot joint operating at pressures of less than 25 psig (170 kPa) that is exposed for any reason must be sealed by a means other than caulking.

852.7.3 Inspection for Graphitization. When a section of cast iron pipe is exposed for any reason, an inspection shall be made to determine if graphitization exists. If detrimental graphitization is found, the affected segment must be replaced.

852.7.4 Disturbed Pipeline Support. When an operating company has knowledge that the support for a segment of a buried cast iron pipeline is disturbed

(a) that segment of the pipeline must be protected as necessary against damage during the disturbance

(b) as soon as possible, appropriate steps must be taken to provide permanent protection for the disturbed segment from damage that might result from external loads

853 MISCELLANEOUS FACILITIES MAINTENANCE

853.1 Compressor Station Maintenance

853.1.1 Compressors and Prime Movers. The starting, operating, and shutdown procedures for all gas compressor units shall be established by the operating company. The operating company shall take appropriate steps to see that the approved practices are followed.

853.1.2 Inspection and Testing of Relief Valves. All pressure-relieving devices in compressor stations shall be inspected and/or tested in accordance with [para. 853.3](#), and all devices except rupture disks shall be operated periodically to determine that they open at the correct set pressure. Any defective or inadequate equipment found shall be promptly repaired or replaced. All remote control shutdown devices shall be inspected and tested at least annually to determine that they function properly.

853.1.3 Repairs to Compressor Station Piping. All scheduled repairs to compressor station piping operating at hoop stress levels at or above 40% of the specified minimum yield strength shall be done in accordance with [para. 851.3](#), except that the use of a welded patch is prohibited. Testing of repairs shall be done in accordance with [para. 851.4](#).

853.1.4 Isolation of Equipment for Maintenance or Alterations. The operating company shall establish procedures for isolation of units or sections of piping for maintenance, and for purging prior to returning units to service, and shall follow these established procedures in all cases.

853.1.5 Storage of Combustible Materials. All flammable or combustible materials in quantities beyond those required for everyday use or other than those normally used in compressor buildings shall be stored in a separate structure built of noncombustible material located a suitable distance from the compressor building. All aboveground oil or gasoline storage tanks shall be protected in accordance with NFPA 30.

853.1.6 Maintenance and Testing of Gas Detection and Alarm Systems. Each gas detection and alarm system required by this Code shall be maintained to function reliably. The operator shall develop maintenance and calibration procedures to periodically verify the operational integrity of the gas detectors and alarm systems installed.

853.1.7 Monitoring Effects of Pulsation and Vibration. Facilities exposed to the effects of vibration and pulsation induced by reciprocating compression as well as vibration induced by gas flow or discharge, may be susceptible to fatigue crack growth in fabrication and attachment welds. Susceptible facilities include

- (a) compressor station piping having an observed history of vibration
- (b) blowdown piping
- (c) pulsation bottles and manifolds
- (d) piping not meeting the requirements of [para. 833.7\(a\)](#)

Such facilities may warrant engineering assessment and/or nondestructive examination for fatigue cracking in fabrication and attachment welds.

853.2 Procedures for Maintaining Pipe-Type and Bottle-Type Holders in Safe Operating Condition

(a) Each operating company having a pipe-type or bottle-type holder shall prepare and place in its files a plan for the systematic, routine inspection and testing of the facilities that has the following provisions:

- (1) Procedures shall be followed to enable the detection of external corrosion before the strength of the container has been impaired.

(2) Periodic sampling and testing of gas in storage shall be made to determine the dew point of vapors contained in the stored gas that might cause internal corrosion or interfere with the safe operations of the storage plant.

(3) The pressure control and pressure-limiting equipment shall be inspected and tested periodically to determine that it is in a safe operating condition and has adequate capacity.

(b) Each operating company, having prepared such a plan as prescribed in (a), shall follow the plan and keep records that detail the inspection and testing work done and the conditions found.

(c) All unsatisfactory conditions found shall be promptly corrected.

853.3 Maintenance of Pressure-Limiting and Pressure-Regulating Stations

853.3.1 Condition and Adequacy. All pressure-limiting stations, relief devices, and other pressure-regulating stations and equipment shall be subject to systematic, periodic inspections and suitable tests, or reviewed to determine that they are

(a) in good mechanical condition. Visual inspections shall be made to determine that equipment is properly installed and protected from dirt, liquids, or other conditions that might prevent proper operation. The following shall be included in the inspection where appropriate:

- (1) station piping supports, pits, and vaults for general condition and indications of ground settlement. See [para. 853.5](#) for vault maintenance.
- (2) station doors and gates and pit vault covers to determine that they are functioning properly and that access is adequate and free from obstructions.
- (3) ventilating equipment installed in station buildings or vaults for proper operation and for evidence of accumulation of water, ice, snow, or other obstructions.
- (4) control, sensing, and supply lines for conditions that could result in a failure.
- (5) all locking devices for proper operation.
- (6) station schematics for correctness.

(b) adequate from the standpoint of capacity and reliability of operation for the service in which they are employed and set to function at the correct pressure

(1) If acceptable operation is not obtained during the operational check, the cause of the malfunction shall be determined, and the appropriate components shall be adjusted, repaired, or replaced as required. After repair, the component shall again be checked for proper operation.

(2) At least once each calendar year, a review shall be made to ensure that the combined capacity of the relief devices on a piping system or facility is adequate to limit the pressure at all times to values prescribed by this Code. This review should be based on the operating conditions that create the maximum probable requirement for relief

capacity in each case, even though such operating conditions actually occur infrequently and/or for only short periods of time. If it is determined that the relieving equipment is of insufficient capacity, steps shall be taken to install new or additional equipment to provide adequate capacity.

853.3.2 Abnormal Conditions. Whenever abnormal conditions are imposed on pressure or flow control devices, the incident shall be investigated and a determination shall be made as to the need for inspection and/or repairs. Abnormal conditions may include regulator bodies that are subjected to erosive service conditions or contaminants from upstream construction and hydrostatic testing.

853.3.3 Stop Valves

(a) An inspection and/or test of stop valves shall be made to determine that the valves will operate and are correctly positioned. (Caution shall be used to avoid any undesirable effect on pressure during operational checks.) The following shall be included in the inspection and/or test:

- (1) station inlet, outlet, and bypass valves
- (2) relief device isolating valves
- (3) control, sensing, and supply line valves

(b) The final inspection procedure shall include the following:

(1) a check for proper position of all valves. Special attention shall be given to regulator station bypass valves, relief device isolating valves, and valves in control, sensing, and supply lines.

(2) restoration of all locking and security devices to proper position.

853.3.4 Pressure-Regulating Stations

(a) Every distribution system supplied by more than one pressure-regulating station shall be equipped with telemetering or recording pressure gages to indicate the gas pressure in the district.

(b) On distribution systems supplied by a single pressure-regulating station, the operating company shall determine the necessity of installing such gages in the district. In making this determination, the operating company shall take into consideration the operating conditions such as the number of customers supplied, the operating pressures, the capacity of the installation, etc.

(c) If there are indications of abnormal high or low pressures, the regulator and the auxiliary equipment shall be inspected and the necessary measures shall be employed to rectify any unsatisfactory operating conditions. Suitable periodic inspections of single pressure regulation stations not equipped with telemetering or recording gages shall be made to determine that the pressure-regulating equipment is functioning properly.

853.4 Valve Maintenance

853.4.1 Pipeline Valves. Pipeline valves that would be required to be operated during an emergency shall be inspected periodically and partially operated at least once a year to provide safe and proper operating conditions.

(a) Routine valve maintenance procedures shall include, but not be limited to, the following:

- (1) servicing in accordance with written procedures by adequately trained personnel
- (2) accurate system maps for use during routine or emergency conditions
- (3) valve security to prevent service interruptions, tampering, etc., as required
- (4) employee training programs to familiarize personnel with the correct valve maintenance procedures

(b) Emergency valve maintenance procedures include

- (1) written contingency plans to be followed during any type of emergency
- (2) training personnel to anticipate all potential hazards
- (3) furnishing tools and equipment as required, including auxiliary breathing equipment, to meet anticipated emergency valve servicing and/or maintenance requirements

853.4.2 Distribution System Valves. Valves, the use of which may be necessary for the safe operation of a gas distribution system, shall be checked and serviced, including lubrication where necessary, at sufficiently frequent intervals to ensure their satisfactory operation. Inspection shall include checking of alignment to permit use of a key or wrench and clearing from the valve box or vault any debris that would interfere with or delay the operation of the valve. System maps showing valve locations should be available.

853.4.3 Service Line Valves. Outside shutoff valves installed in service lines supplying places of public assembly, such as theaters, churches, schools, and hospitals, shall be inspected and lubricated where required at sufficiently frequent intervals to ensure their satisfactory operation. The inspection shall determine if the valve is accessible, if the alignment is satisfactory, and if the valve box or vault, if used, contains debris that would interfere with or delay the operation of the valve. Unsatisfactory conditions encountered shall be corrected.

853.4.4 Valve Records. A record shall be maintained for locating valves covered by [paras. 853.4.1](#) and [853.4.2](#). These records may be maintained on operating maps, separate files, or summary sheets, and the information on these records shall be readily accessible to personnel required to respond to emergencies.

853.4.5 Prevention of Accidental Operation. Precautions shall be taken to prevent accidental operation of any valve covered by [paras. 853.4.1](#) and [853.4.2](#). Accidental

valve operation by operating company personnel and the general public should be considered in taking these precautions. Some recommended actions to be taken, where applicable, are as follows:

(a) Lock valves in aboveground settings readily accessible to the general public that are not enclosed by a building or fence.

(b) Lock valves located in vaults, if accessible to the general public.

(c) Identify the valve by tagging, color coding, or any other suitable means of identification.

853.5 Vault Maintenance

Each vault housing a pressure-limiting, pressure-relieving, or pressure-regulating station shall be inspected to determine its condition each time the equipment is inspected and tested in accordance with [para. 853.3](#). For any vault that personnel enter, the atmosphere shall be tested for combustible gas. If the atmosphere is hazardous, the cause shall be determined. The vault shall be inspected for adequate ventilation. The condition of the vault covers shall be carefully examined for hazards. Unsatisfactory conditions disclosed shall be corrected. The applicable provisions of [para. 821.6](#) shall be met before any welding is performed in the vault. Maintenance work performed in the vault shall be in accordance with procedures developed per [para. 850.2\(a\)](#), giving particular consideration to the monitoring of the atmosphere and safety protection for personnel in the vault.

854 LOCATION CLASS AND CHANGES IN NUMBER OF BUILDINGS INTENDED FOR HUMAN OCCUPANCY

854.1 Monitoring

(a) Existing steel pipelines or mains operating at hoop stress levels in excess of 40% of specified minimum yield strength shall be monitored to determine if additional buildings intended for human occupancy have been constructed. The total number of buildings intended for human occupancy shall be counted to determine the current Location Class in accordance with the procedures specified in [paras. 840.2.2\(a\)](#) and [840.2.2\(b\)](#).

(b) In accordance with the principles stated in [para. 840.1\(c\)](#), and with the knowledge that the number of buildings intended for human occupancy is not an exact or absolute means of determining damage-causing activities, judgment must be used to determine the changes that should be made to items, such as operating stress levels, frequency of patrolling and cathodic protection requirements, as additional buildings intended for human occupancy are constructed.

(c) When there is an increase in the number of buildings intended for human occupancy to or near the upper limit of the Location Class listed in [Table 854.1-1](#) to the

extent that a change in Location Class is likely, a study shall be completed within 6 months of perception of the increase to determine the following:

(1) the design, construction, and testing procedures followed in the original construction and a comparison of such procedures with the applicable provisions of this Code.

(2) the physical conditions of the pipeline or main to the extent that this can be ascertained from current tests and evaluation records.

(3) operating and maintenance history of the pipeline or main.

(4) the maximum operating pressure and the corresponding operating hoop stress. The pressure gradient may be taken into account in the section of the pipeline or main directly affected by the increasing number of buildings intended for human occupancy.

(5) the actual area affected by the increase in the number of buildings intended for human occupancy and physical barriers or other factors that may limit the further expansion of the more densely populated area.

(d) Following this study, if a change of Location Class is indicated, the patrols and leakage surveys shall immediately be adjusted to the intervals established by the operating company for the new Location Class.

854.2 Confirmation or Revision of MAOP

If the study described in [para. 854.1](#) indicates that the established maximum allowable operating pressure of a section of pipeline or main is not commensurate with existing Location Class 2, 3, or 4, and such section is in satisfactory physical condition, the maximum allowable operating pressure of that section shall be confirmed or revised within 18 months following completion of the study as follows:

(a) If the section involved has been previously tested in place for not less than 2 hr, the maximum allowable operating pressure shall be confirmed or reduced so that it does not exceed that allowed in [Table 854.1-1](#).

(b) If the previous test pressure was not high enough to allow the pipeline to retain its MAOP or to achieve an acceptable lower MAOP in the Location Class according to [\(a\)](#), the pipeline may either retain its MAOP or become qualified for an acceptable lower MAOP if it is retested at a higher test pressure for not less than 2 hr in compliance with the applicable provisions of this Code. If the new strength test is not performed during the 18-month period following the Location Class change, the MAOP must be reduced so as not to exceed the design pressure commensurate with the requirements of [Chapter IV](#) at the end of the 18-month period. If the test is performed any time after the 18-month period has expired, however, the MAOP may be increased to the level it would have achieved if the test had been performed during that 18-month period.

**Table 854.1-1
Location Class**

Original [Note (1)]		Current		
Location Class	Number of Buildings	Location Class	Number of Buildings	Maximum Allowable Operating Pressure (MAOP)
1, Division 1	0-10	1	11-25	Previous MAOP but not greater than 80% SMYS
1, Division 2	0-10	1	11-25	Previous MAOP but not greater than 72% SMYS
1	0-10	2	26-45	$0.800 \times$ test pressure but not greater than 72% SMYS
1	0-10	2	46-65	$0.667 \times$ test pressure but not greater than 60% SMYS
1	0-10	3	66+	$0.667 \times$ test pressure but not greater than 60% SMYS
1	0-10	4	[Note (2)]	$0.555 \times$ test pressure but not greater than 50% SMYS
2	11-45	2	46-65	Previous MAOP but not greater than 60% SMYS
2	11-45	3	66+	$0.667 \times$ test pressure but not greater than 60% SMYS
2	11-45	4	[Note (2)]	$0.555 \times$ test pressure but not greater than 50% SMYS
3	46+	4	[Note (2)]	$0.555 \times$ test pressure but not greater than 50% SMYS

NOTES:

- (1) At time of design and construction.
(2) Multistory buildings become prevalent.

(c) An MAOP that has been confirmed or revised according to (a) or (b) shall not exceed that established by this Code or previously established by applicable editions of ASME B31.8. Confirmation or revision according to para. 854.2 shall not preclude the application of section 857.

(d) Where operating conditions require that the existing maximum allowable operating pressure be maintained, and the pipeline cannot be brought into compliance as provided in (a), (b), or (c), the pipe within the area of the Location Class change shall be replaced with pipe commensurate with the requirements of Chapter IV, using the design factor obtained from Table 841.1.6-1 for the appropriate Location Class.

854.3 Pressure-Relieving or Pressure-Limiting Devices

Where the MAOP of a section of pipeline or main is revised in accordance with para. 854.2 and becomes less than the maximum allowable operating pressure of the pipeline or main of which it is a part, a suitable pressure-relieving or pressure-limiting device shall be installed in accordance with provisions of paras. 845.1, 845.2, and 845.2.1.

854.4 Review of Valve Spacing

Where the study required in para. 854.1 indicates that the established maximum allowable operating pressure of a transmission pipeline is not commensurate with that permitted by this Code for the new Location Class, the sectionalizing valve spacing shall be reviewed and revised as follows:

(a) If the section of pipe is qualified for continued service because of a prior test [see para. 854.2(a)], or can be brought into compliance by lowering the maximum allowable operating pressure [see para. 854.2(a)], or testing [see para. 854.2(b)], no additional valves will normally be required.

(b) Where a segment of pipeline must be replaced to maintain the established maximum allowable operating pressure as provided in para. 854.2(d), consideration should be given to valve spacing as follows:

(1) Where a short section of line is replaced, additional valves will normally not be required.

(2) Where the replacement section involves 1 mi (1.6 km) or more of transmission line, additional valve installation shall be considered to conform to the spacing requirements in para. 846.1.1.

854.5 Concentrations of People in Location Classes 1 and 2

(a) Where a facility meeting the criteria of para. 840.3 is built near an existing steel pipeline in Location Classes 1 or 2, consideration shall be given to the possible consequence of a failure, even though the probability of such an occurrence is very unlikely if the line is designed, constructed, and operated in accordance with this Code.

(1) Where such a facility described in (a) results in frequent concentrations of people, the requirements of (b) shall apply.

(2) However, (b) need not be applied if the facility is used infrequently. The lesser usage combined with the very remote possibility of a failure at that particular point on the pipeline virtually eliminates the possibility of an occurrence.

(b) Pipelines near places of public assembly as outlined in (a) shall have a maximum allowable hoop stress not exceeding 50% of SMYS. Alternatively, the operating company may make the study described in para. 854.1(c) and determine that compliance with the following will result in an adequate level of safety:

(1) The segment is hydrostatically retested for at least 2 hr to a minimum hoop stress level of one of the following:

(-a) 100% of SMYS if the pipeline is operating at a hoop stress level over 60% and up to 72% of SMYS

(-b) 90% of SMYS if the pipeline is operating at a hoop stress level over 50% and up to 60% of SMYS, unless the segment was tested previously to a pressure of at least 1.5 times the MAOP

If the segment contains pipe of various operating stress levels, the minimum test hoop stress levels stated above should be based on the SMYS of the pipe with the highest operating stress level.

(2) Patrols and leakage surveys are conducted at intervals consistent with those established by the operating company for Location Class 3.

(3) When the maximum allowable hoop stress exceeds 60% of SMYS, adequate periodic visual inspections are conducted by an appropriate sampling technique, or instrumented inspections capable of detecting gouges and corrosion damage are made to confirm the continuing satisfactory physical condition of the pipe.

(4) If the nearby facility is likely to encourage additional construction activity, provide appropriate pipeline markers.

855 PIPELINE SERVICE CONVERSIONS

855.1 General

The intent of this section is to provide requirements to allow an operator of a steel pipeline previously used for service not covered by this Code to qualify that pipeline for service under this Code. For a dual service pipeline used alternately to transport liquids in conformance with an appropriate Code, such as ASME B31.4, and gas under this Code, only the initial conversion to gas service requires qualification testing.

855.2 Historical Records Study

Review the following historical data and make an evaluation of the pipeline's condition:

(a) Study all available information on the original pipeline design, inspection, and testing. Particular attention should be paid to welding procedures used and other joining methods, internal and external coating, pipe, and other material descriptions.

(b) Study available operating and maintenance data including leak records, inspections, failures, cathodic protection, and internal corrosion control practices.

(c) Consider the age of the pipeline and the length of time it may have been out of service in preparing a final evaluation to convert the pipeline to gas service.

855.3 Requirements for Conversion to Gas Service

A steel pipeline previously used for service not subject to this Code may be qualified for service under this Code as follows:

(a) Review historical records of the pipeline as indicated in para. 855.2.

(b) Inspect all aboveground segments of the pipeline for physical condition. During the inspection, identify the material where possible for comparison with available records.

(c) *Operating Stress Level Study*

(1) Establish the number of buildings near the pipeline or main intended for human occupancy, and determine the design factor for each segment in accordance with para. 840.2 and Table 841.1.6-1.

(2) Conduct a study to compare the proposed operating stress levels with those allowed for the Location Class.

(3) Replace facilities necessary to make sure the operating stress level is commensurate with the Location Class.

(d) If necessary, make inspections of appropriate sections of underground piping to determine the condition of the pipeline.

(e) Make replacements, repairs, or alterations that in the operating company's judgment are advisable.

(f) Perform a strength test in accordance with this Code to establish the maximum allowable operating pressure of the pipeline, unless the pipeline has been so tested previously.

(g) Perform a leak test in conformance with this Code.

(h) Within 1 yr of the date that the converted pipeline is placed in gas service, provide cathodic protection as set out in para. 860.2(a), except that wherever feasible, replacement sections and other new piping shall be cathodically protected as required for new pipelines.

855.4 Conversion Procedure

Prepare a written procedure outlining the steps to be followed during the study and conversion of the pipeline system. Note any unusual conditions relating to this conversion.

855.5 Records of the Conversion

Maintain for the life of the pipeline a record of the studies, inspections, tests, repairs, replacements, and alterations made in connection with conversion of the existing steel pipeline to gas service under this Code.

856 ODORIZATION

856.1 General

Any gas distributed to customers through gas mains or service lines or used for domestic purposes in compressor plants that does not naturally possess a distinctive odor to the extent that its presence in the atmosphere is readily detectable at all gas concentrations of one-fifth of the lower explosive limit and above shall have an odorant added to it to make it so detectable. Liquefied petroleum gases are usually nontoxic, but when distributed for consumer use or used as fuel in a place of employment, they shall also be odorized for safety.¹

Odorization is not required for

- (a) gas in underground or other storage
- (b) gas used for further processing or use where the odorant would serve no useful purpose as a warning agent or would be a detriment to the process
- (c) gas used in lease or field operations

If gas is delivered for use primarily in one of the above exempted activities or facilities and is also used in one of those activities for space heating, refrigeration, water heating, cooking, and other domestic uses, or if such gas is used for furnishing heat or air conditioning for office or living quarters, the gas shall be odorized.

856.2 Odorization Equipment

Each operating company shall use odorization equipment designed for the type and injection rate of odorant being used.

856.3 Odorant Requirements

Each operating company shall use an odorant in accordance with the following requirements:

(a) The odorant, when blended with gas in the specified amount, shall not be deleterious to humans or to the materials present in the gas system and shall not be soluble in water to a greater extent than 2½ parts of odorant to 100 parts of water by weight.

(b) The products of combustion from the odorant shall be nontoxic to humans breathing air containing the products of combustion and shall not be corrosive or harmful to the materials with which such products of combustion would ordinarily come in contact.

(c) The combination of the odorant and the natural odor of the gas shall provide a distinctive odor so that when gas is present in air at the concentration of as little as 1% by volume, the odor is readily detectable by a person with a normal sense of smell.

856.4 Records

For all odorizers, except small wick-type or bypass-type, or similar odorizers serving individual customers or small distribution systems, each operating company shall maintain records containing the following items:

- (a) the type of odorant introduced into the gas
- (b) the amount of odorant injected per million cubic feet (m³)

856.5 Odorant Concentration Tests

Each operating company shall conduct odorant concentration tests on gas supplied through its facilities that requires odorization. Test points shall be remotely located from the odorizing equipment to provide data representative of gas at all points of the system.

857 UPGRADING

This section of the Code prescribes minimum requirements for upgrading pipelines or mains to higher maximum allowable operating pressures.

857.1 General

(a) A higher maximum allowable operating pressure established under this section may not exceed the design pressure of the weakest element in the segment to be upgraded. It is not intended that the requirements of this Code be applied retroactively to such items as road crossings, fabricated assemblies, minimum cover, and valve spacings. Instead, the requirements for these items shall meet the criteria of the operating company before the upgrading is performed.

(b) A plan shall be prepared for upgrading that shall include a written procedure that will ensure compliance with each applicable requirement of this section.

(c) Before increasing the maximum allowable operating pressure of a segment that has been operating at a pressure less than that determined by [para. 845.2.2](#), the following investigative and corrective measures shall be taken:

(1) The design, initial installation, method, and date of previous testing, Location Classes, materials, and equipment shall be reviewed to determine that the proposed increase is safe and consistent with the requirements of this Code.

(2) The condition of the line shall be determined by leakage surveys, other field inspections, and examination of maintenance records.

(3) Repairs, replacements, or alterations disclosed to be necessary by (1) and (2) shall be made prior to the upgrading.

(d) A new test according to the requirements of this Code should be considered if satisfactory evidence is not available to ensure safe operation at the proposed maximum allowable operating pressure.

¹ Refer to NFPA 58 and NFPA 59.

(e) When gas upratings are permitted under [paras. 857.2 through 857.5](#), the gas pressure shall be increased in increments, with a leak survey performed after each incremental increase. The number of increments shall be determined by the operator after considering the total amount of the pressure increase, the stress level at the final maximum allowable operating pressure, the known condition of the line, and the proximity of the line to other structures. The number of increments shall be sufficient to ensure that any leaks are detected before they can create a potential hazard. Potentially hazardous leaks discovered shall be repaired before further increasing the pressure. A final leak survey shall be conducted at the higher maximum allowable operating pressure.

(f) Records for uprating, including each investigation required by this section, corrective action taken, and pressure test conducted, shall be retained as long as the facilities involved remain in service.

857.2 Uprating Steel Pipelines or Mains to a Pressure That Will Produce a Hoop Stress of 30% or More of SMYS

The maximum allowable operating pressure may be increased after compliance with [para. 857.1\(c\)](#) and one of the following provisions:

(a) If the physical condition of the line as determined by [para. 857.1\(c\)](#) indicates the line is capable of withstanding the desired higher operating pressure, is in general agreement with the design requirements of this Code, and has previously been tested to a pressure equal to or greater than that required by this Code for a new line for the proposed maximum allowable operating pressure, the line may be operated at the higher maximum allowable operating pressure.

(b) If the physical condition of the line as determined by [para. 857.1\(c\)](#) indicates that the ability of the line to withstand the higher maximum operating pressure has not been satisfactorily verified or that the line has not been previously tested to the levels required by this Code for a new line for the proposed higher maximum allowable operating pressure, the line may be operated at the higher maximum allowable operating pressure if it shall successfully withstand the test required by this Code for a new line to operate under the same conditions.

(c) If the physical condition of the line as determined by [para. 857.1\(c\)](#) verifies its capability of operating at a higher pressure, a higher maximum allowable operating pressure may be established according to [para. 845.2.2](#) using as a test pressure the highest pressure to which the line has been subjected, either in a strength test or in actual operation.

(d) If it is necessary to test a pipeline or main before it can be uprated to a higher maximum allowable operating pressure, and if it is not practical to test the line either because of the expense or difficulties created by taking it out of service or because of other operating conditions,

a higher maximum allowable operating pressure may be established in Location Class 1 as follows:

(1) Perform the requirements of [para. 857.1\(c\)](#).

(2) Select a new maximum allowable operating pressure consistent with the condition of the line and the design requirements of this Code, provided

(-a) the new maximum allowable operating pressure does not exceed 80% of that permitted for a new line to operate under the same conditions

(-b) the pressure is increased in increments as provided in [para. 857.1\(e\)](#)

857.3 Uprating Steel or Plastic Pipelines to a Pressure That Will Produce a Hoop Stress Less Than 30% of SMYS

(a) This applies to high-pressure steel mains and pipelines where the higher maximum allowable operating pressure is less than that required to produce a hoop stress of 30% of the specified minimum yield strength of the pipe and to all high-pressure plastic distribution systems. If the higher maximum allowable operating pressure of a steel pipeline or main is producing a hoop stress level more than 30% of the specified minimum yield strength of the pipe, the provisions of [para. 857.2](#) shall apply.

(b) Before increasing the maximum allowable operating pressure of a system that has been operating at less than the applicable maximum pressure to a higher maximum allowable operating pressure, the following factors shall be considered:

(1) the physical condition of the line as determined by [para. 857.1\(c\)](#)

(2) information from the manufacturer or supplier determining that each component of a plastic system is capable of performing satisfactorily at the higher pressure

(c) Before increasing the pressure, the following steps shall be taken:

(1) Install suitable devices on the service lines to regulate and limit the pressure of the gas in accordance with [para. 845.2.7\(c\)](#) if the new maximum allowable operating pressure is to be over 60 psi (410 kPa).

(2) Adequately reinforce or anchor offsets, bends, and dead ends in coupled pipe to avoid movement of the pipe should the offset, bend, or dead end be exposed in an excavation.

(3) Increase pressure in increments as provided in [para. 857.1\(e\)](#).

857.4 Uprating a Ductile Iron High-Pressure Main or System to a New and Higher Maximum Allowable Operating Pressure

(a) The maximum allowable operating pressure of a ductile iron main or system shall not be increased to a pressure in excess of that permitted in [para. 842.1.1\(a\)](#). Where records are not complete enough to

Table 857.4-1
Wall Thickness Allowance for Uprating a Ductile Iron High-Pressure Main or System

Nominal Pipe Size, in. (DN)	Allowance, in. (mm)		
	Cast Iron Pipe		
	Pit Cast Pipe	Centrifugally Cast Pipe	Ductile Iron Pipe
3-8 (75-200)	0.075 (1.9)	0.065 (1.7)	0.065 (1.7)
10-12 (250-300)	0.08 (2.0)	0.07 (1.8)	0.07 (1.8)
14-24 (350-600)	0.08 (2.0)	0.08 (2.0)	0.075 (1.9)
30-42 (750-1 050)	0.09 (2.3)	0.09 (2.3)	0.075 (1.9)
48 (1 200)	0.09 (2.3)	0.09 (2.3)	0.08 (2.0)
54-60 (1 350-1 500)	0.09 (2.3)

permit the direct application of [para. 842.1.1\(a\)](#), the following procedures shall be used:

(1) *Laying Condition.* Where the original laying conditions cannot be ascertained, it shall be assumed that Condition D (pipe supported on blocks, tamped backfill) exists for cast iron pipe and Condition B (pipe laid without blocks, tamped backfill) exists for ductile iron pipe.

(2) *Cover.* Unless the actual maximum cover depth is known with certainty, it shall be determined by exposing the main or system at three or more points and making actual measurements. The main or system shall be exposed in areas where the cover depth is most likely to be greatest. The greatest measured cover depth shall be used for computations.

(3) *Nominal Wall Thickness.* Unless the nominal thickness is known with certainty, it shall be determined with ultrasonic measuring devices. The average of all measurements taken shall be increased by the allowance indicated in [Table 857.4-1](#).

The nominal wall thickness of cast iron shall be the standard thickness listed in Table 10 or Table 11, whichever is applicable, of AWWA C101 that is nearest the value obtained. The nominal wall thickness of ductile iron shall be the standard thickness listed in Table 6 of ANSI/AWWA C150/A21.50 nearest the value obtained.

(4) *Manufacturing Process.* Unless the cast iron pipe manufacturing process is known with certainty, it shall be assumed to be pit cast pipe having a bursting tensile strength, S , of 11,000 psi (76 MPa) and a modulus of rupture, R , of 31,000 psi (214 MPa).

(b) Before increasing the maximum allowable operating pressure, the following measures shall be taken:

(1) Review the physical condition as required by [para. 857.1\(c\)](#).

(2) Adequately reinforce or anchor offsets, bends, and dead ends in coupled or bell and spigot pipe to avoid movement of the pipe, should the offset, bend, or dead end be exposed by excavation.

(3) Install suitable devices on the service lines to regulate and limit the pressure of the gas in accordance with [para. 845.2.7\(c\)](#) if the new and higher maximum allowable operating pressure is to be over 60 psig (410 kPa).

(c) If after compliance with (a) and (b) it is established that the main system is capable of safely withstanding the proposed new and higher maximum allowable operating pressure, the pressure shall be increased as provided in [para. 857.1\(e\)](#).

857.5 Uprating a Distribution System That Has Been Operating at Inches (Millimeters) of Water (Low Pressure) to a Higher Pressure

(a) In addition to the precautions outlined in [para. 857.1\(c\)](#) and the applicable requirements contained in [paras. 857.3](#) and [857.4](#), the following steps must be taken:

(1) Install pressure-regulating devices at each customer's meter.

(2) Verify that the segment being uprated is physically disconnected from all segments of line that will continue to operate at inches (millimeters) of water.

(b) After performing the steps outlined in (a) above, the pressure shall be increased in increments as outlined in [para. 857.1\(e\)](#). After the first incremental increase, however, steps shall be taken to verify that the customer's regulators are performing satisfactorily.

Chapter VI

Corrosion Control

860 GENERAL

860.1 Scope

(a) This Chapter contains the minimum requirements and procedures for corrosion control of exposed, buried, and submerged metallic piping and components. (See [Chapter VIII](#) for special offshore requirements.) This Chapter contains minimum requirements and procedures for controlling external (including atmospheric) and internal corrosion. This Chapter is applicable to the design and installation of new piping systems and to the operation and maintenance of existing piping systems.

(b) The provisions of this Chapter should be applied under the direction of competent corrosion personnel. Every specific situation cannot be anticipated; therefore, the application and evaluation of corrosion control practices requires a significant amount of competent judgment to be effective in mitigating corrosion.

(c) Deviations from the provisions of this Chapter are permissible in specific situations, provided the operating company can show that the objectives expressed herein have been achieved.

(d) Corrosion control requirements and procedures may, in many instances, require measures in addition to those shown in this Chapter. Each operating company shall establish procedures to implement its corrosion control program, including the requirements of this Chapter, to achieve the desired objectives. Procedures, including those for design, installation, and maintenance of cathodic protection systems, shall be prepared and implemented by, or under the direction of, persons qualified by training and/or experience in corrosion control methods.

(e) Records indicating cathodically protected piping, cathodic protection facilities, and other structures affected by or affecting the cathodic protection system shall be maintained by the operating company.

(f) Records of tests, surveys, inspection results, leaks, etc., necessary for evaluating the effectiveness of corrosion control measures shall be maintained and retained for as long as the piping remains in service.

860.2 Evaluation of Existing Installations

(a) Procedures shall be established for evaluating the need for and effectiveness of a corrosion control program. Appropriate corrective action shall be taken commensurate with the conditions found. If the extent of corrosion has reduced the strength of a facility below its maximum allowable operating pressure, that portion shall be repaired, reconditioned, or replaced, or the operating pressure shall be reduced, commensurate with the remaining strength of the corroded pipe. For steel pipelines, the remaining strength of corroded pipe may be determined in accordance with ASME B31G.

(b) The records available as a result of leakage surveys and normal maintenance work in accordance with [paras. 852.2](#) and [852.6](#) shall be continuously reviewed for evidence of continuing corrosion.

(c) Electrical survey methods may be used as an indication of suspected corrosive areas where surface conditions permit sufficiently accurate measurements. Such surveys are most effective in nonurban environments. Common methods of electrical survey include

- (1) pipe-to-soil potentials
- (2) surface potentials (cell-to-cell)
- (3) soil resistivity measurements

(d) The continued effectiveness of a cathodic protection system shall be monitored in accordance with [section 863](#).

(e) Whenever a buried facility is exposed during normal maintenance or construction activities, a visual inspection shall be made of the coating condition, the metal surface, or both, if exposed. The extent of any corrosion shall be evaluated in accordance with [para. 860.2](#).

(f) When any part of a pipeline is removed and the internal surface is accessible for inspection, it shall be visually examined and evaluated for internal corrosion.

(1) If evidence of internal corrosion is discovered, the gas shall be analyzed to determine the types and concentrations of any corrosive agents.

(2) Liquids or solids removed from the pipeline by pigging, draining, or cleanup shall be analyzed as necessary for determining the presence of corrosive materials and evidence of corrosion products.

860.3 Corrective Measures

(a) If continuing external corrosion that, unless controlled, could result in a condition that is detrimental to public or employee safety is found by the evaluation made under [para. 860.2\(a\)](#) or [section 863](#), appropriate corrective measures shall be taken to mitigate further corrosion on the piping system or segment. Corrective measures shall be continued in effect as long as required to maintain a safe operating system. Appropriate corrective measures may include the following:

(1) provisions for proper and continuous operation of cathodic protection facilities

(2) application of protective coating

(3) installation of galvanic anode(s)

(4) application of impressed current

(5) electrical isolation

(6) stray current control

(7) other effective measures

(8) any combination of the above

(b) Where it is determined that internal corrosion taking place could affect public or employee safety, one or more of the following protective or corrective measures shall be used to control detrimental internal corrosion:

(1) An effective corrosion inhibitor shall be applied in a manner and quantity to protect all affected portions of the piping systems.

(2) Corrosive agents shall be removed by recognized methods, such as acid gas or dehydration treating plants.

(3) Fittings shall be added for removal of water from low spots, or piping shall be positioned to reduce sump capacities.

(4) Under some circumstances, application of a suitable internal coating may be effective.

(c) When experience or testing indicates the above mitigation methods will not control continuing corrosion to an acceptable level, the segment shall be reconditioned or replaced and suitably protected.

861 EXTERNAL CORROSION CONTROL FOR STEEL PIPELINES

861.1 Buried/Submerged Installations

All new transmission pipelines, compressor station piping, distribution mains, service lines, and pipe-type and bottle-type holders installed under this Code shall, except as permitted under [para. 862.1.2](#), be externally coated and cathodically protected unless it can be shown by test or experience that the materials are resistant to corrosion in the environment in which they are installed. Consideration shall be given to the handling, shipping, storing, installation conditions, and the service environment and cathodic protection requirements when selecting the coating materials. *The Corrosion Data Survey*, published by NACE International, is a source

of information on materials performance in corrosive environments.

861.1.1 Coatings

(a) The surface preparation should be compatible with the coating to be applied. The pipe surface shall be free of deleterious materials, such as rust, scale, moisture, dirt, oils, lacquers, and varnish. The surface shall be inspected for irregularities that could protrude through the coating. Any such irregularities shall be removed. Further information can be obtained from NACE SP0169.

(b) Suitable coatings, including compatible field joint and patch coatings, shall be selected, giving consideration to handling, shipping, storing, installation condition, moisture adsorption, operating temperatures of the pipeline, environmental factors (including the nature of the soil in contact with the coating), adhesion characteristics, and dielectric strength.

(c) Coating shall be applied in a manner that ensures effective adhesion to the pipe. Voids, wrinkles, holidays, and gas entrapment should be avoided.

(d) The coating shall be visually inspected for defects before the pipe is lowered into the ditch. Insulating type coatings on mains and transmission lines shall be inspected for holidays by the most appropriate method. Coating defects or damage that may impair effective corrosion control shall be repaired before the pipe is installed in the ditch.

(e) In addition to the provisions of [paras. 841.2.2\(b\)](#), [841.2.5\(b\)](#), and [841.2.5\(c\)](#), care shall be exercised in handling, storage, and installation to prevent damage to the coating, including measures noted as follows:

(1) Minimize handling of coated pipe. Use equipment least likely to damage the coating, e.g., belts or cradles instead of cables.

(2) Use padded skids where appropriate.

(3) Stack or store pipe in a manner that minimizes damage to coating.

861.1.2 Cathodic Protection Requirements. Unless it can be shown by tests or experience that cathodic protection is not needed, all buried or submerged facilities with insulating type coatings, except facilities installed for a limited service life, shall be cathodically protected as soon as feasible following installation. Minor replacements or extensions, however, shall be protected as covered by [para. 860.3](#).

Facilities installed for a limited service life need not be cathodically protected if it can be shown that the facility will not experience corrosion that will cause it to be harmful to the public or environment. Cathodic protection systems shall be designed to protect the buried or submerged system in its entirety. A facility is considered to be cathodically protected when it meets the applicable criteria established in NACE SP0169.

861.1.3 Electrical Isolation

(a) All coated transmission and distribution systems shall be electrically isolated at all interconnections with foreign systems including customer's fuel lines, except where underground metallic structures are electrically interconnected and cathodically protected as a unit. Steel pipelines shall be electrically isolated from cast iron, ductile iron, or nonferrous metal pipelines and components. Electrical tests shall be made of transmission and distribution systems to locate unintentional contacts with other metallic structures. If such contacts exist, they shall be corrected. See [para. 841.1.11\(c\)](#) for clearance requirements.

(b) Where a gas pipeline parallels overhead electric transmission lines, consideration shall be given to

(1) investigating the necessity of protecting insulating joints in the pipeline against induced voltages resulting from ground faults and lightning. Such protection can be obtained by connecting buried galvanic anodes to the pipe near the insulating joints and/or by bridging the pipeline insulator with a spark gap, or by other effective means.

(2) making a study in collaboration with the electric company, taking the following factors into consideration and applying remedial measures as appropriate:

(-a) the need to mitigate induced AC voltages or their effects on personnel safety during construction and operation of the pipeline by means of suitable design for bonding, shielding, or grounding techniques

(-b) the possibility of lightning or fault currents inducing voltages sufficient to puncture pipe coatings or pipe

(-c) possible adverse effects on cathodic protection, communications, or other electronic facilities

(-d) the corrosive effects of high voltage direct current (HVDC) power systems

(3) obtaining further information from NACE SP0177 and EPRI EL-3106.

(22) 861.1.4 Electrical Connections and Monitoring Points

(a) Except for offshore pipelines, sufficient test points should be installed to show the effectiveness of corrosion control or the need for cathodic protection. (See [Chapter VIII](#) for special considerations for offshore pipelines.)

(b) Special attention shall be given to the manner of installation of electrical leads used for corrosion control or testing to avoid harmful stress concentration at the point of attachment to the pipe. Acceptable methods include, but are not limited to

(1) electrical leads attached directly on the pipe or by the Thermit welding process, using copper oxide and aluminum powder. The size of the Thermit welding charge shall not exceed a 15 g cartridge.

(2) attachment of electrical leads directly to the pipe by the use of soft solders or other materials that do not involve temperatures exceeding those for soft solders.

(c) All pipe that is bared for electrical lead connections and all bared electrical lead wires shall be protected by electrical insulating material compatible with existing coating.

861.1.5 Electrical Interference

(a) Impressed current cathodic protection systems shall be designed, installed, and operated so as to minimize adverse effects on existing metallic structures.

(b) Field tests shall be conducted to determine the adverse electrical interference from foreign structures, including DC electrical facilities. The effects shall be mitigated by such means as control bonds, supplementary cathodic protection, protective coatings, and insulating devices.

861.1.6 Isolation From Casings. The use of metallic casings should be avoided as much as possible from a corrosion control standpoint. It is recognized, however, that installation of metallic casings is frequently required or desirable to facilitate construction, as an economical method of protecting existing pipelines, to provide structural protection from heavy and/or impact loads to facilitate replacement as required by a governmental agency and as required by the landowner or permit grantor, and for other reasons. Where metallic casing is used, care should be exercised to ensure that coating on the carrier pipe is not damaged during installation. The carrier pipe should be insulated from metallic casings, and the casing ends should be sealed with a durable material to minimize the accumulation of solids and liquids in the annular space. Special attention should be given to the casing ends to prevent electrical shorting due to back-filling movement or settling. Where electrical isolation is not achieved, action shall be taken to correct the condition or mitigate corrosion inside of the casing by supplemental or localized cathodic protection, installation of a high-resistivity inhibited material in the annular space, or other effective means.

861.1.7 Electrical Interference

(a) Adverse electrical interference from or to foreign structures as determined by field tests shall be mitigated.

(b) Facilities for mitigating electrical interference shall be periodically monitored.

861.2 Aboveground Piping Atmospheric Protection

861.2.1 Coatings. Facilities exposed to the atmosphere shall be protected from external corrosion by a suitable coating or jacket.

861.2.2 Surface Preparation. The surface to be coated shall be free of deleterious materials, such as rust, scale, moisture, dirt, oil, lacquer, and varnish. The surface preparation shall be compatible with the coating or jacket to be applied.

861.2.3 Coating Characteristics. The coating or jacket selected shall possess characteristics that will provide adequate protection from the environment. Coatings and jackets shall completely cover the exposed structure and shall be applied in accordance with established specifications or manufacturer's recommendations.

861.2.4 Air/Electrolyte Interface. Special consideration shall be given to surfaces near the ground line or in a splash zone.

861.3 Harsh Environments

Where investigation or experience indicates that the environment in which the pipe or component is to be installed is substantially corrosive, the following shall be considered:

- (a) materials and/or component geometry shall be designed to resist detrimental corrosion
- (b) a suitable coating
- (c) cathodic protection

862 CATHODIC PROTECTION CRITERIA

862.1 Standard Criteria

A facility is considered to be cathodically protected when it meets the applicable criteria established in NACE SP0169.

862.2 Alternative Criteria

It is not intended that cathodic protection be limited to these criteria if it can be shown by other means that adequate control of corrosion has been achieved.

863 OPERATION AND MAINTENANCE OF CATHODIC PROTECTION SYSTEMS

863.1 Inspection of Equipment

Inspections shall be made as required to maintain continuous and effective operation of the cathodic protection system.

863.2 Measurement of Cathodic Protection

Electrical tests shall be made periodically to determine that the piping system is protected in accordance with the applicable criteria.

863.3 Frequency of Testing

The type, frequency, and location of inspections and tests shall be adequate to establish with reasonable accuracy the degree of protection provided on the piping system. Frequency should be determined by consideration of items including, but not limited to, the following:

- (a) condition of pipe
- (b) method of cathodic protection
- (c) corrosiveness of the environment
- (d) probability of loss or interruption of protection
- (e) operating experience, including inspections and leak investigations
- (f) design life of the cathodic protection installation
- (g) public or employee safety

863.4 Appropriate Correction Measure

Where the tests or surveys indicate that adequate protection does not exist, appropriate corrective measure shall be taken.

864 INTERNAL CORROSION CONTROL

864.1 General

When corrosive gas is transported, provisions shall be taken to protect the piping system from detrimental corrosion. Gas containing free water under the conditions at which it will be transported shall be assumed to be corrosive, unless proven to be noncorrosive by recognized tests or experience.

Internal corrosion control measures shall be evaluated by an inspection and monitoring program, including but not limited to, the following:

- (a) The inhibitor and the inhibitor injection system should be periodically checked.
- (b) Corrosion coupons and test spools shall be removed and evaluated at periodic intervals.
- (c) Corrosion probes should be checked manually at intervals, or continuously or intermittently monitored, recorded, or both, to evaluate control of pipeline internal corrosion.
- (d) A record of the internal condition of the pipe, of leaks and repairs from corrosion, and of gas, liquids, or solids quantities and corrosivity should be kept and used as a basis for changes in the pigging schedule, inhibitor program, or gas treatment facility.
- (e) When pipe is uncovered or on exposed piping where internal corrosion may be anticipated, pipe wall thickness measurement or monitoring will help evaluate internal corrosion.
- (f) Where inspections, observation, or record analysis indicates internal corrosion is taking place to an extent that may be detrimental to public or employee safety, that portion of the system shall be repaired or reconditioned, and appropriate steps taken to mitigate the internal corrosion.

864.2 Design of New Installations

When designing a new or replacement pipeline system, or additions or modifications to existing systems, measures shall be considered to prevent and/or inhibit internal corrosion. To preserve the integrity and efficiency of a pipeline in which it is known or anticipated that corrosive gas will be transported, the following factors should be included in the design and construction, either separately or in combination.

864.2.1 Use of Internal Protective Coating. When internal coating is to be used to protect a piping system

(a) the coating shall meet the quality specifications, and the minimum dry film thickness shall be established to protect the facility from the corrosive media involved, based on the type of coating and methods of application

(b) applied coatings shall be inspected in accordance with established specifications or accepted practice

(c) provision shall be made to prevent joint corrosion, such as cleaning and recoating or the continuing use of a suitable inhibitor when coated pipe or other components are joined by welding or other methods that leave the parent metal exposed

(d) the types of coating and pigging tools used should be evaluated and chosen to prevent damage to the internal coating if pigs or spheres are to be used

864.2.2 Use of Corrosion Inhibitor. When a corrosion inhibitor is to be used as an additive to the gas streams

(a) the equipment for the holding, transfer, and injection of the inhibitor into the stream shall be included in the design

(b) the operation of the injection program should be a part of the planning

(c) sufficient test coupon holders or other monitoring equipment shall be provided to allow for continued program evaluations

(d) the corrosion inhibitor selected shall be of a type that will not cause deterioration of any components of the piping system

864.2.3 Use of Pigging Equipment. When a pipeline pigging system is planned

(a) scraper traps for the insertion and removal of pigs, spheres, or both, shall be provided

(b) sections of pipeline to be traversed by pigs or spheres shall be designed to prevent damage to pigs, spheres, pipes, or fittings during operations

(c) piping for pigs or spheres shall be designed to guide the tool and the materials they propel effectively and safely

(d) provisions shall be made for effective accumulation and handling of liquid and solid materials removed from the pipeline by pigs or spheres

864.2.4 Use of Corrosion Coupons. When corrosion coupons, corrosion probes, and/or test spools are to be used

(a) corrosion coupons, probes, or test spools shall be installed where practical at locations where the greatest potential for internal corrosion exists

(b) corrosion coupons, probes, and test spools must be designed to permit passage of pigs or spheres when installed in sections traversed thereby

864.2.5 Sweetening or Refining of Gas. When gas is to be treated to reduce its corrosivity

(a) separators and/or dehydration equipment may be installed

(b) equipment for the removal of other deleterious material from the gas should be considered

864.2.6 Use of Corrosion-Resistant Materials. The (22)

material of the pipe and other equipment exposed to the gas stream must resist internal corrosion; therefore

(a) materials selected for pipe and fittings shall be compatible with the components of the gas, the liquids carried by the gas, and with each other. A source of information on materials performance in corrosive environments is *The Corrosion Data Survey*, published by NACE International.

(b) where plastic, nonferrous, or alloy steel pipe and components are used to prevent or control internal corrosion, such materials shall have been determined to be effective under the conditions encountered. [See paras. 842.6.1(a)(2) and 849.5.1(a)(2) for limitations on copper.]

(c) erosion-corrosion effects from high-velocity particles at probable points of turbulence and impingement should be minimized by use of erosion-resistant materials, added wall thickness, design or flow configuration, and size or dimensions of the pipe and fittings.

864.2.7 High-Temperature Considerations. When gas or a mixture of gas and liquids or solids known or anticipated to be corrosive is transported at elevated temperatures, special consideration shall be given to the identification and mitigation of possible internal corrosion. Such measures are necessary because corrosion reaction rates increase with elevated temperatures and are not stable. Appropriate mitigation and monitoring measures are given in [section 864](#).

864.2.8 Low-Temperature Considerations. Where the gas stream is chilled to prevent melting of frozen soil surrounding the pipeline, there will not normally be enough free water in the gas to result in internal corrosion in the presence of contaminants, such as sulfur compounds or CO₂. If it is anticipated, however, that free water or water/alcohol solutions will be present in the pipeline along with potentially corrosive contaminants, suitable corrective measures shall be taken as prescribed in [section 864](#).

865 STEEL PIPELINES IN ARCTIC ENVIRONMENTS

865.1 Special Considerations for Arctic Environments

Special consideration must be given to the corrosion control requirements of buried pipelines and other facilities installed in arctic environments, particularly in permafrost regions. For pipelines in contact with frozen earth, the corrosion rate is reduced because of the extremely high resistivity of the soil and low ion mobility, but it does not reach zero. Significant corrosion can occur, however, in unfrozen inclusions, discontinuous permafrost, or thaw areas such as those that may occur in the vicinity of rivers, lakes, springs, or pipeline sections where the pipe surface temperature is above the freezing point of the environment. Cathodic protection in localized thaw areas may be more difficult due to the shielding of cathodic protection currents by the surrounding frozen soil. Other detrimental effects can be caused by seasonal thaws that increase biological and bacteriologic activity in the nonpermafrost areas or in the “active layer” above underlying permafrost.

Pipeline facilities installed in arctic environments shall be coated and cathodically protected in the same manner as pipelines in temperate locations, and the same consideration shall be given to the need for protection from internal and atmospheric corrosion, except as specifically provided in this section.

865.1.1 External Coating Requirements. Coatings for pipelines in low-temperature environments shall be selected according to the particular requirements of that environment. These include adhesion, resistance to cracking or damage during handling and installation in subfreezing temperatures, applicability of field joint coatings or coating repairs, compatibility with any applied cathodic protection, and resistance to soil stresses due to frost heave, thaw settlement, seasonal temperature changes, or other reasons.

865.1.2 Impressed Current Considerations. Criteria for cathodic protection shall be the same as those for pipelines in temperate environments. Because higher driving voltages are normally required in frozen soils, the voltage impressed across the coating should be limited so that the coating is not subject to damage due to cathodic overvoltage or excessive current density.

(a) Impressed current facilities shall be used on pipelines in permanently frozen soil, especially where the gas is chilled to prevent thawing of the earth. Such facilities are capable of providing the higher driving voltage needed to overcome the high resistivity of frozen soil. They can be installed at compressor stations or other facilities where power is available and access for adjustment and maintenance is ensured. The effects of seasonal variations in soil resistivity should be compensated for by using constant potential rectifiers or manual adjustments.

(b) Impressed current anode beds shall be installed whenever feasible at a sufficient distance from the pipeline or other underground structures to achieve maximum spread along the pipeline and to reduce the peak potential at the pipeline.

(c) Anode beds shall be installed, where practical, below the permafrost level or in other unfrozen locations, such as a stream or lake, to achieve better cathodic current distribution. Where anodes must be installed in permanently frozen ground, the volume of the anode backfill material should be increased to reduce the effective resistance between the anode and the surrounding earth.

(d) Impressed current facilities using distributed or deep anode ground beds should be used to protect buried station facilities and pilings where used to support aboveground plant facilities. The pilings and any other adjacent underground metallic facilities must be electrically interconnected to prevent detrimental interference.

865.1.3 Galvanic Anode Considerations. Galvanic anodes (packaged or ribbon) may be needed on pipelines in permafrost areas to supplement impressed current facilities in localized thawed areas. This provides localized cathodic protection to those sections of pipe that might be shielded by the extremely high resistivity of the surrounding soil.

865.1.4 Monitoring Considerations. Installation of calibrated current measurement spans should be considered in addition to the normal test points. These should be installed at sufficient intervals to evaluate current distribution along the protected pipeline and the effects of telluric currents prevalent in polar regions. These spans also provide contact points for measuring indications of possible coating damage due to stresses induced by a frozen environment.

866 STEEL PIPELINES IN HIGH-TEMPERATURE SERVICE

866.1 Special Considerations for High-Temperature Service

Special consideration must be given to the corrosion control requirements of pipelines and other facilities in high-temperature service [above 150°F (66°C)]. Elevated temperatures tend to decrease the resistivity of buried or submerged pipeline environments and to increase the electrochemical corrosion reaction as a result of accelerated ionic or molecular activity. Elevated temperatures typically occur downstream of compressor stations or in gathering systems.

866.1.1 External Coating Considerations. Coatings shall be selected based on the particular requirements for pipeline facilities in high-temperature service. These include resistance to damage from soil or secondary

stresses, compatibility with any applied cathodic protection, and particularly, resistance to thermal degradation. In rocky environments, the use of a protective outer wrap, select backfill, or other suitable measures shall be considered to minimize physical damage.

866.1.2 Impressed Current Considerations. Criteria for cathodic protection shall be the same as those for normal temperature service, except that recognition should be given to the effects of decreased resistivity and increased cathodic protection current requirements in elevated temperature service on any IR component of the pipe-to-soil potential measurement. Possible depolarization effects due to high-temperature operation shall also be considered.

866.1.3 Galvanic Anode Considerations. Consideration shall be given to the impact on the performance of close galvanic anodes (especially bracelet or ribbon type) subject to elevated temperatures due to their proximity to a hot pipeline. Higher temperatures tend to increase the current output and rate of degradation of most anode materials. Some anode materials may become more noble than steel at temperatures above 140°F (60°C) in certain electrolytes. Zinc anodes containing aluminum are also susceptible to intergranular corrosion above 120°F (49°C).

867 STRESS CORROSION AND OTHER PHENOMENA

Environmentally induced and other corrosion-related phenomena, including stress corrosion cracking, corrosion fatigue, hydrogen stress cracking, and hydrogen embrittlement, have been identified as causes of pipeline failure. Considerable knowledge and data have been acquired and assembled on these phenomena, and research is continuing as to their causes and prevention. Operating companies should be alert for evidence of such phenomena during all pipe inspections and at other such opportunities. Where evidence of such a condition is found, an investigative program shall be initiated, and remedial measures shall be taken as necessary. Any such evidence should be given consideration in all pipeline failure investigations. Operating companies should avail

themselves of current technology on the subject and/or consult with knowledgeable experts.

This paragraph must be limited to general statements rather than specific limits in regard to stress corrosion. Stress corrosion is currently the subject of investigative research programs, and more specific data will certainly be available to the pipeline designer and operating company in the future. In the interim, this Code suggests that the user refer to the current state of the art. Cathodic protection current levels, quality of pipe surface preparation and coating, operating temperatures, stress levels, and soil conditions shall be considered in pipeline design and operations.

868 CAST IRON, WROUGHT IRON, DUCTILE IRON, AND OTHER METALLIC PIPELINES

868.1 Requirements for Cast Iron and Ductile Iron Piping Facilities Exposed to Atmosphere

Aboveground cast iron and ductile iron pipe shall be suitably protected in areas where severe atmospheric corrosion may occur.

868.2 Other Metallic Materials

When a nonferrous metal or ferrous alloy component is found to have corroded to the point where public or employee safety may be affected, it shall be reconditioned in accordance with [para. 861.3](#) or replaced. The replacement shall meet one of the following criteria:

(a) It shall be constructed with other materials, geometry, or both, designed for the remaining life of the parent facility.

(b) It shall be cathodically or otherwise protected.

868.3 Installation of Electrical Connections

(a) Electrical connections may be attached directly onto the cast or ductile iron pipe by the Thermit welding process using copper oxide and aluminum powder. The size of the Thermit welding charge shall not exceed a 32 g cartridge.

(b) All pipe that is bared for test lead connections and all bared test lead wires shall be protected by electrical insulating material compatible with existing coating.

Chapter VII

Intentionally Left Blank

The material previously shown in this Chapter has been moved to other Chapters in this Code. This Chapter has been intentionally left blank and is reserved for future use.

Chapter VIII

Offshore Gas Transmission

(22) A800 OFFSHORE GAS TRANSMISSION

This Chapter of the Code covers the design, material requirements, fabrication, installation, inspection, examination, testing, and safety aspects of operation and maintenance of offshore gas transmission systems.

A801 GENERAL

Chapter VIII pertains only to offshore gas transmission systems as defined in para. A802.1. With the exception of sections A840 through A842, A844, and A847, this Chapter is organized to parallel the numbering and the content of the first six chapters of the Code. All applicable provisions of Chapters I through VI of this Code are also requirements of this Chapter unless specifically modified herein. With the exceptions noted, paragraph designations follow those in the first six chapters with the prefix "A."

A802 SCOPE AND INTENT

A802.1 Scope

For this Chapter, offshore gas transmission systems include offshore gas pipelines, pipeline risers, platform piping, offshore gas compressor stations, pipeline appurtenances, pipe supports, connectors, and other components as addressed specifically in this Code.

A802.2 Intent

The intent of this Chapter is to provide adequate requirements for the safe and reliable design, installation, and operation of offshore gas transmission systems. Requirements of this Chapter supplement the requirements of the remainder of this Code. It is therefore not the intent of this Chapter to be all inclusive, and provisions must be made for any special considerations that are not specifically addressed.

It is not the intent of this Chapter to prevent the development and application of new equipment and technologies. Such activity is encouraged as long as the safety and reliability requirements of this Code are satisfied.

A803 OFFSHORE GAS TRANSMISSION TERMS AND DEFINITIONS

accidental loads: any unplanned load or combination of unplanned loads caused by human intervention or natural phenomena.

biofouling: an accumulation of deposits. This includes accumulation and growth of marine organisms on a submerged metal surface and the accumulation of deposits (usually inorganic) on heat exchanger tubing.

breakaway coupling: a component installed in the pipeline to allow the pipeline to separate when a predetermined axial load is applied to the coupling.

buckle: a condition in which the pipeline has undergone sufficient plastic deformation to cause permanent wrinkling in the pipe wall or excessive cross-sectional deformation caused by bending, axial, impact, and/or torsional loads acting alone or in combination with hydrostatic pressure.

cathodic disbondment: the loss of adhesion between a coating and the coated surface caused by products of a cathodic reaction.

column buckling: buckling of a beam or pipe under compressive axial load in which loads cause unstable lateral deflection; also referred to as "upheaval buckling."

connectors: any component, except flanges, used for mechanically joining two sections of pipe.

disbondment: the loss of adhesion between a coating and the substrate.

documented: the condition of being in written form.

external hydrostatic pressure: pressure acting on any external surface resulting from its submergence in water.

flexible pipe: pipe that is

(a) manufactured as a composite from both metal and nonmetal components

(b) capable of allowing large deflections without adversely affecting the pipe's integrity

(c) intended to be an integral part of the permanent product transportation system

Flexible pipe does not include solid metallic steel pipe, plastic pipe, fiber-reinforced plastic pipe, rubber hose, or metallic pipes lined with nonmetallic linings or coatings.

fracture mechanics: a quantitative analysis for evaluating structural reliability in terms of applied stress, crack length, specimen geometry, and material properties.

hyperbaric weld: a weld performed at ambient hydrostatic pressure in a submerged chamber from which the water has been removed from the surfaces to be welded.

minimum wall thickness, t_{min} : the nominal wall thickness, t (see para. 804.5), minus the manufacturing tolerance in accordance with the applicable pipe specification, and minus all corrosion and erosion allowances. The minimum wall thickness is used in the design equations in para. A842.2.2(d).

near white blast cleaned: a surface that, when viewed without magnification, is free of all visible oil, grease, dust, dirt, mill scale, rust, coating, oxides, corrosion products, and other foreign matter. Random staining is limited to not more than 5% of each unit area of surface [approximately 9.0 in.² (58 cm²)], and may consist of light shadows, slight streaks, or minor discolorations caused by stains of rust, stains of mill scale, or stains of previously applied coating (see NACE No. 2/SSPC-SP 10).

offshore: the area beyond the line of ordinary high water along the portion of the coast that is in direct contact with the open seas and beyond the line marking the seaward limit of inland coastal waters.

offshore pipeline riser: the vertical or near vertical portion of an offshore pipeline between the platform piping and the pipeline at or below the seabed, including a length of pipe of at least five pipe diameters beyond the bottom elbow, bend, or fitting. Due to the wide variety of configurations, the exact location of transition between pipeline, pipeline riser, and platform piping must be selected on a case-by-case basis.

offshore pipeline system: all components of a pipeline installed offshore for transporting gas other than production facility piping. Tanker or barge loading hoses are not considered part of the offshore pipeline system.

offshore platform: any man-made fixed or permanently anchored structure, floating facility, or artificial island located offshore.

pipe collapse: flattening deformation of the pipe resulting in loss of cross-sectional strength and circular shape, which is caused by excessive external hydrostatic pressure acting alone.

plastic deformation: a permanent deformation caused by stressing beyond the elastic limit.

platform piping:

(a) On offshore platforms producing hydrocarbons, platform piping is all the gas transmission piping, appurtenances, and components between the production facility and the offshore pipeline riser(s). This includes any gas

compressors and piping that are not a part of the production facility.

(b) On offshore platforms not producing hydrocarbons, platform piping is all the gas transmission piping, compressors, appurtenances, and components between the offshore pipeline risers.

(c) Because of a wide variety of configurations, the exact location of the transition between the offshore pipeline riser(s), the platform piping, and the production facility must be selected on a case-by-case basis.

prefabricated piping: a section of riser, platform piping, or subsea pipeline that contains fittings and butt welds, flanges, and/or mechanical connectors and is typically fabricated onshore and connected to the pipeline system during installation. Some examples of prefabricated piping include a riser offset, jumper, expansion loop, tie-in spool, and prefabricated riser.

propagating buckle: a buckle that progresses rapidly along a pipeline caused by the effect of external hydrostatic pressure on a previously formed buckle, local collapse, or other cross-sectional deformation.

pull tube: a conduit attached to an offshore platform through which a riser can be installed.

pull-tube riser: riser pipe or pipes installed through a pull tube (e.g., J-tube or I-tube).

return interval: statistically determined time interval between successive events of design environmental conditions being equaled or exceeded, typically calculated as the reciprocal of the annual probability of occurrence of the event.

riser: see *offshore pipeline riser*.

seafloor bathymetry: refers to water depths along the pipeline route.

soil liquefaction: a soil condition, typically caused by dynamic cyclic loading (e.g., earthquake, waves), where the effective shear strength in the soil is reduced such that the soil exhibits the properties of a liquid.

special assembly: a subsea pipeline section that contains pipeline components such as a buckle or fracture arrestor, in-line sled, subsea tie-in assembly, pipeline end manifold, pipeline end termination, in-line valve assembly, side valve assembly, or subsea manifold and is typically fabricated onshore and connected to the pipeline system during installation.

splash zone: the area of the pipeline riser or other pipeline components that is intermittently wet and dry due to wave and tidal action.

steel catenary riser (SCR): a catenary-shaped extension of a subsea pipeline that is attached to a floating or fixed offshore platform.

trawl board: a structure that is attached to the bottom of commercial fishing nets and is dragged along the seafloor.

weight coating: any coating applied to the pipeline for increasing the pipeline specific gravity.

A811 QUALIFICATION OF MATERIALS AND EQUIPMENT

Plastic pipe, plastic pipe with nonmetallic reinforcement, cast iron pipe, and ductile iron pipe shall not be used for transporting natural gas.

A814 MATERIAL SPECIFICATIONS

A814.1 Pipe Conforming to Referenced Standards and Specifications

A814.1.1 Steel Pipe. Steel line pipe with a longitudinal weld joint quality factor, E of 1.00 in [Table 841.1.7-1](#) shall be used.

A814.3 Weight Coating

Concrete weight coating materials (cement, aggregate, reinforcing steel) shall meet or exceed the requirements of applicable ASTM standards.

A814.4 Flexible Pipe

Flexible pipe shall be manufactured from materials meeting the requirements of applicable ASTM or ASME standards.

A814.5 Other Requirements

In addition to the requirements contained in referenced standards, certain other requirements may be considered for pipe and other components used offshore, depending on water depth, water temperature, internal pressure, product composition, product temperature, installation method and/or other loading conditions. Thus, consideration may include one or more of the following:

- (a) wall thickness tolerance
- (b) outside diameter tolerance
- (c) out-of-roundness
- (d) maximum and minimum yield and tensile strengths
- (e) maximum carbon equivalent
- (f) fracture toughness
- (g) hardness
- (h) pipe mill hydrostatic testing and other mechanical testing

A817 CONDITIONS FOR THE REUSE AND REQUALIFICATION OF PIPE

A817.1 Reuse of Steel Pipe

Used pipe may be reused, subject to the following conditions:

- (a) The pipe meets the design considerations in [sections A841, A842, and A843](#).

- (b) The pipe meets the testing requirements in [section A847](#).

- (c) The pipe shall be inspected per [para. 817.1.3](#) to identify any defects that impair the serviceability of the pipe. If such defects are identified, they shall be removed or repaired.

Unidentified line pipe shall not be used for subsea pipelines.

A817.4 Requalification of Pipeline Systems

A pipeline system that has previously been used for gas transmission service may be requalified, subject to the following conditions:

- (a) The pipeline system meets the design considerations in [sections A841, A842, and A843](#).

- (b) The pipeline system meets the hydrotesting requirements in [paras. A847.1 through A847.6](#). In addition, if the pipeline system is moved, it shall also meet the testing for buckles requirement in [para. A847.7](#).

A820 WELDING OFFSHORE PIPELINES

This section concerns the welding of carbon steel materials that are used in a pipeline in the offshore environment.

A821 GENERAL

A821.1 General Requirements

The welding covered may be performed under atmospheric or hyperbaric conditions.

A821.2 Welding Processes

(22)

The welding may be done by any process or combination of processes that produce welds that meet the procedure qualification requirements of this Code and can be examined by conventional means.

A821.3 Welding Procedure

- (a) Prior to atmospheric welding of any pipe, piping components, or related equipment, Welding Procedure Specifications shall be written and the procedure shall be qualified. The approved procedure shall include all of the applicable details listed in API Std 1104.

- (b) Prior to hyperbaric welding of any pipe, piping components, or related equipment, Welding Procedure Specifications shall be written and the procedure shall be qualified. The approved procedure shall include all of the applicable details listed in API Std 1104 and AWS D3.6.

- (c) Each welder or welding operator shall be qualified for the established procedure before performing any welding on any pipe, piping component, or related equipment installed in accordance with this Code.

(d) Welding procedure qualifications, as well as welder or welding operator qualifications, are valid only within the specified limits of the welding procedure. If changes are made in certain details, called “essential variables” or “essential changes,” additional qualification is required. API Std 1104 essential variables shall take precedence in matters not affected by the underwater environment, and AWS D3.6 shall govern those essential changes related to the underwater welding environment and working conditions.

(22) A823 QUALIFICATION OF PROCEDURES AND WELDERS

Qualification of procedures and welders shall be in accordance with the requirements of [section 823](#), except [paras. 823.1](#) and [823.2](#) do not apply offshore.

(a) Welding procedures and welders performing atmospheric welding under this section shall be qualified under API Std 1104, except that for applications in which design, materials, fabrication, inspection, examination, and testing are in accordance with the BPV Code, Section VIII, welding procedures and welders shall be qualified under the BPV Code, Section IX.

(b) Welding procedures and welders performing hyperbaric welding under this section shall be qualified in accordance with the testing and examination provisions of API Std 1104 as supplemented by AWS D3.6.

(22) A826 WELD EXAMINATION REQUIREMENTS

A826.3 Examination for Quality Control of Welds on Piping Systems

A826.3.1 Extent of Examination. One hundred percent of the total number of field welds on offshore pipelines and pipeline components that are subjected to loading by pipeline internal pressure shall be nondestructively examined, if practical, but in no case shall less than 90% of such welds be examined. The examination shall cover 100% of the length of such examined welds.

A826.3.2 Standard of Acceptability. All welds that are examined must meet the standards of acceptability of API Std 1104 or the BPV Code, Section VIII, as appropriate for the service of the weld, or be appropriately repaired and re-examined or removed.

A826.3.3 Alternative Flaw Acceptance Limits. For girth welds on a pipeline, alternative flaw acceptance limits may be established based on fracture mechanics analyses and fitness-for-purpose criteria as described in API Std 1104. Such alternative acceptance standards shall be supported by appropriate stress analyses, supplementary welding procedure test requirements, and non-destructive examinations beyond the minimum requirements specified herein. The accuracy of the non-destructive techniques for flaw depth measurement shall

be verified by sufficient data to establish probabilities for the proposed examination error allowance.

A830 PIPING SYSTEM COMPONENTS AND FABRICATION DETAILS

A830.1 General

The purpose of [sections A831](#) through [A835](#) is to provide a set of criteria for system components to be used in an offshore application.

A831 PIPING SYSTEM COMPONENTS

Cast iron or ductile iron shall not be used in flanges, fittings, or valve shell components.

All system components for offshore applications shall be capable of safely resisting the same loads as the pipe in the run in which they are included, except “weak links” (e.g., breakaway couplings) designed into a system to fail under specific loads. Consideration should be given to minimizing stress concentrations.

System components that are not specifically covered in [section 831](#) shall be validated for fitness by either

(a) documented full scale prototype testing of the components or special assemblies, or

(b) a history of successful usage of these components or special assemblies produced by the same design method. Care should be exercised in any new application of existing designs to ensure suitability for the intended service.

A831.1 Valves and Pressure-Reducing Devices

A831.1.1 Valves. In addition to the valve standards listed in [para. 831.1.1\(a\)](#), the following specifications may be used:

API Spec 6DSS/ ISO 14723	Specification for Subsea Pipeline Valves
API Spec 17D	Design and Operation of Subsea Production Systems — Subsea Wellhead and Tree Equipment

A832 EXPANSION AND FLEXIBILITY

Thermal expansion and contraction calculations shall consider the temperature differential between material temperature during operations and material temperature during installation.

A834 SUPPORTS AND ANCHORAGE FOR EXPOSED PIPING

No attachment other than an encircling member shall be welded directly to the pipeline (see [para. A842.2.7](#)).

A835 ANCHORAGE FOR BURIED PIPING

Thermal expansion and contraction calculations shall consider the effects of fully saturated backfill material on soil restraint.

When a submerged pipeline is to be laid across a known fault zone, or in an earthquake-prone area where new faults are a possibility, consideration shall be given to the need for flexibility in the pipeline system and its components to minimize the possibility of damage due to seismic activity.

The requirements of [para. 835.5\(c\)](#) for header and branch connections are not applicable to offshore submerged piping systems. An appropriate means of preventing undue stresses at offshore submerged piping connections is to provide adequate flexibility at branch connections on the seabed.

A840 DESIGN, INSTALLATION, AND TESTING

A840.1 General Provisions

The design, installation, and testing of offshore gas transmission systems shall be in accordance with [Chapter IV](#) as specifically modified by the provisions of [Chapter VIII](#). Also, all provisions of [Chapter IV](#) that depend on Location Class do not apply to offshore gas transmission systems, except that offshore pipelines approaching shoreline areas shall be additionally designed and tested consistently with Location Class provisions as determined in [para. A840.2](#).

A840.2 Shoreline Approaches

Offshore pipelines approaching shoreline areas shall be additionally designed and tested consistently with Location Class provisions as determined in [section 840](#), except that

(a) offshore pipelines in Location Classes 3 and 4 may alternatively be hydrostatically tested to a pressure not less than 1.25 times the maximum operating pressure so long as the provisions of [section A826](#) are met

(b) for offshore pipelines, the provisions of [section A847](#) supersede [para. 841.3.2](#)

API RP 1133 may be used for additional guidance.

A841 DESIGN CONSIDERATIONS

A841.1 Design Conditions

A number of physical parameters, henceforth referred to as design conditions, govern design of the offshore pipeline system so that it meets installation, operation, and other postinstallation requirements. Some of the factors that may influence the safety and reliability of an offshore pipeline and riser include

- (a) waves
- (b) current

- (c) marine soils
- (d) wind
- (e) ice
- (f) seismic activity
- (g) platform motion
- (h) temperature
- (i) pressure
- (j) water depth
- (k) support settlement
- (l) accidental loads
- (m) commercial shipping
- (n) fishing/shrimping activities

The design of offshore pipelines is often controlled by installation considerations rather than by operating load conditions.

Additional information for design conditions can be found in API RP 1111, [para. 4.1](#).

A841.2 Installation Design Considerations

The design of an offshore pipeline system suitable for safe installation and the development of offshore pipeline construction procedures shall be based on consideration of the parameters listed in [paras. A841.2.1](#) through [A841.2.5](#). These parameters shall be considered to the extent that they are significant to the proposed system and applicable to the method of installation being considered.

A841.2.1 Weight. The effect of pipe or pipeline assembly weights (in air and submerged) on installation stresses and strains shall be considered. Variability due to weight coating manufacturing tolerances and water absorption shall also be considered.

A841.2.2 Profile. Variations in water depth along the pipeline route shall be considered. The effect of tides shall be included for locations where such variations are a significant fraction of the water depth. Bottom slope, obstructions, or irregularities that affect installation stresses shall be considered.

A841.2.3 Environmental Loads. Local environmental forces including those induced by wind, wave, currents, ice, seismic activity, and other natural phenomenon are subject to radical change in offshore areas. These potential changes should be considered during installation design and contingency planning.

A841.2.4 Loads Imposed by Construction Equipment and Vessel Motions. Limitations and behavioral characteristics of installation equipment shall be considered in the installation design.

Vessel motions shall be considered if they are expected to result in pipe stresses or pipe/coating damage sufficient to impair the serviceability of the pipeline.

A841.2.5 Bottom Soils. Soil characteristics shall be considered when installation procedures are developed for the following:

- (a) riser installation in pull tubes
- (b) laying horizontal curves in the pipeline routing
- (c) pipeline bottom tows
- (d) trenching and backfilling

A841.3 Operational Design Considerations

A841.3.1 Loading Classifications. All parts of the offshore pipeline and riser system shall be designed for the most critical combinations of operational and design environmental loads, acting concurrently, to which the system may be subjected. Wind, wave, and current design loads should be based on a design return interval no less than five times the design life of the pipeline or 100 yr, whichever is smaller.

If the pipeline operating philosophy is such that operations with full operational loads will be maintained during design storms, then the system shall be designed for concurrent action of operational and design environmental loads.

If the operating philosophy is such that operations will be reduced or discontinued during design storm conditions, then the system shall be designed for

- (a) full operational loads plus maximum coincidental environmental loads
- (b) design environmental loads plus appropriate reduced operational loads

Directionality of waves, winds, and currents shall be considered to determine the most critical expected combination of above loadings.

A841.3.2 Operational Loads. Operational loads that shall be considered are those forces imposed on the pipeline system under static environmental conditions (i.e., excluding wind, waves, current, and other dynamic loadings).

Loads that should be considered as operational loads include

- (a) weight of unsupported span of pipe, including (as appropriate) the weight of
 - (1) pipe
 - (2) coatings and their absorbed water
 - (3) attachments to the pipe
 - (4) transported contents
- (b) internal and external pressure
- (c) thermal expansion and contraction
- (d) buoyancy
- (e) prestressing (exclusive of structurally restrained pipe configurations, such as in a pull-tube riser bend)
- (f) static soil-induced loadings (e.g., overburden)

The effects of prestressing, such as permanent curvatures induced by installation, should be considered when they affect the serviceability of the pipeline.

Additional information for operational loads can be found in API RP 1111, para. 4.1.4.

A841.3.3 Design Environmental Loads. Loadings that should be considered under this category include, as appropriate, those arising due to

- (a) waves
- (b) current
- (c) wind
- (d) seismic events
- (e) accidental loadings (e.g., trawl boards and anchors)
- (f) dynamic soil-induced loadings (e.g., mudslides and liquefaction)
- (g) ice loads (e.g., weight, floating impacts, and scouring)

A842 STRENGTH CONSIDERATIONS

Design and installation analyses shall be based on accepted engineering methods, material strength, and applicable design conditions.

A842.1 Strength Consideration During Installation

The following subsections define the minimum safety requirements against failure due to yielding or buckling during all phases of pipeline system installation (i.e., handling, laying, trenching, etc., through testing).

A842.1.1 Buckling. The pipeline should be designed and installed in a manner to prevent buckling during installation. Design and procedures for installation should account for the effect of external hydrostatic pressure, bending moment, axial, and torsional loads and pipe out-of-roundness. Consideration should also be given to the buckle propagation phenomenon.

Additional information for calculating buckling stresses due to bending and external pressure can be found in API RP 1111, para. 4.3.2.3.

A842.1.2 Collapse. The pipe wall thickness shall be designed to resist collapse due to external hydrostatic pressure. Considerations shall include the effects of mill tolerances in the nominal wall thickness, out-of-roundness, and any other applicable factors.

Additional information for designing to prevent collapse can be found in API RP 1111, para. 4.3.2.2.

A842.1.3 Allowable Longitudinal Stress. The maximum longitudinal stress due to axial and bending loads during installation shall be limited to a value that prevents pipe buckling and will not impair the serviceability of the installed pipeline.

Additional information for longitudinal load design can be found in API RP 1111, para. 4.3.1.2.

A842.1.4 Allowable Strains. Instead of the stress criteria of [para. A842.1.3](#), an allowable installation strain limit may be used. The maximum longitudinal strain due to axial and bending loads during installation

Table A842.2.2-1
Design Factors for Offshore Pipelines, Platform Piping,
and Pipeline Risers

Location	Hoop Stress, F_1	Longitudinal Stress, F_2	Combined Stress, F_3
Pipeline	0.72	0.80	0.90
Platform piping and risers	0.50	0.80	0.90 [Note (1)]

NOTE: (1) The wall thickness used in the calculation of combined stress for platform piping and risers shall be based upon minimum wall thickness, t_{min} .

shall be limited to a value that prevents pipe buckling and will not impair the serviceability of the installed pipeline.

A842.1.5 Installation Fatigue. Anticipated stress fluctuations of sufficient magnitude and frequency to induce significant fatigue shall be considered in design.

A842.1.6 Special Assemblies. Installation of pipelines with special assemblies are subject to the same requirements stated in paras. A842.1.1 through A842.1.5.

A842.1.7 Residual Stresses. The pipeline system shall normally be installed in a manner so as to minimize residual stresses. The exception shall be when the designer purposefully plans for residual stresses (e.g., cold springing of risers and pull-tube risers). When residual stresses are significant, they should be considered in the operating design of the pipeline system (see para. A842.2).

A842.1.8 Flexible Pipe. The manufacturers recommended maximum loadings and minimum bending radius shall be adhered to during installation. Flexible pipe shall be designed or selected to prevent collapse due to the combined effects of external pressure, axial forces, and bending. Installation procedures shall be designed to prevent buckling (see API RP 17B).

A842.2 Strength Considerations During Operations

A842.2.1 Operational and Design Criteria

(a) *Failure Modes.* Pipelines, risers, and platform piping shall be designed against the following possible modes of failure, as appropriate:

- (1) excessive yielding
- (2) buckling
- (3) fatigue failure
- (4) ductile fracture
- (5) brittle fracture
- (6) loss of in-place stability
- (7) propagating fracture
- (8) corrosion
- (9) collapse

(b) *Other Considerations.* Furthermore, consideration shall be given to impacts due to

- (1) foreign objects
- (2) anchors
- (3) trawlboards
- (4) vessels, ice keels, etc.

A842.2.2 Design Against Yielding. Pipelines, risers, and platform piping shall be designed against yielding in accordance with this paragraph. The combined stress calculations and allowables of paras. 833.2 through 833.6 are superseded by the provisions of (b), (c), and (d) that follow (see also Table A842.2.2-1).

(a) *Hoop Stress.* For pipelines, risers, and platform piping, the tensile hoop stress due to the difference between internal and external pressures shall not exceed the value given herein. S_h may be calculated by either of the following:

NOTE: Sign convention is such that tension is positive and compression is negative.

$$S_h \leq F_1 S T \quad (1)$$

(U.S. Customary Units)

$$S_h = (P_i - P_e) \frac{D}{2t} \quad (2)$$

(SI Units)

$$S_h = (P_i - P_e) \frac{D}{2.000t} \quad (3)$$

or

(U.S. Customary Units)

$$S_h = (P_i - P_e) \frac{D - t}{2t} \quad (4)$$

(SI Units)

$$S_h = (P_i - P_e) \frac{D - t}{2.000t} \quad (5)$$

where

- D = nominal outside diameter of pipe, in. (mm)
- F_1 = hoop stress design factor from Table A842.2.2-1
- P_e = external pressure, psig (kPa)
- P_i = internal design pressure, psig (kPa)
- S = specified minimum yield strength, psi (MPa)
- S_h = hoop stress, psi (MPa)
- T = temperature derating factor from Table 841.1.8-1
- t = nominal wall thickness, in. (mm)

NOTE: It is recommended that eq. (2) or eq. (3) be used for D/t greater than or equal to 30 and that eq. (4) or eq. (5) be used for D/t less than 30.

Additional information for pressure design can be found in API RP 1111, paras. 4.3.1 and 4.3.2.

(b) *Longitudinal Stress*. For pipelines, risers, and platform piping, the longitudinal stress shall not exceed values found from

$$|S_L| \leq F_2 S$$

where

- A = cross-sectional area of pipe material using t , in.² (mm²)
- F_2 = longitudinal stress design factor from [Table A842.2.2-1](#)
- F_a = axial force, lb (N)
- i_i = in-plane stress intensification factor from [Mandatory Appendix E](#)
- i_o = out-plane stress intensification factor from [Mandatory Appendix E](#)
- M_i = in-plane bending moment, in.-lb (N·m)
- M_o = out-plane bending moment, in.-lb (N·m)
- S = specified minimum yield strength, psi (MPa)
- S_a = axial stress, psi (positive tensile or negative compressive) (MPa)
= F_a/A
- S_b = resultant bending stress, psi (MPa)
= $[(i_i M_i)^2 + (i_o M_o)^2]^{1/2}/z$
- S_{Lmax} = maximum longitudinal stress, psi (positive tensile or negative compressive) (MPa)
= $S_a + S_b$ or $S_a - S_b$, whichever results in the larger stress value
- t = nominal wall thickness, in. (mm)
- z = section modulus of pipe using t , in.³ (cm³)
- $| |$ = absolute value

Additional information for longitudinal load design can be found in API RP 1111, para. 4.3.1.2.

(c) *Combined Stress for Pipelines*. The combined stress shall not exceed the value given by the maximum shear stress equation (Tresca combined stress):

$$\max \left[\left| \left[\left(\frac{S_L + S_h}{2} \right) - \left[\left(\frac{S_L - S_h}{2} \right)^2 + S_t^2 \right]^{1/2} \right|, \left| \left[\left(\frac{S_L - S_h}{2} \right)^2 + S_t^2 \right]^{1/2} \right|, \left| \left(\frac{S_L + S_h}{2} \right) + \left[\left(\frac{S_L - S_h}{2} \right)^2 + S_t^2 \right]^{1/2} \right| \right], \leq F_3 S$$

where

- A = cross-sectional area of pipe material using t , in.² (mm²)
- F_3 = combined stress design factor from [Table A842.2.2-1](#)
- F_a = axial force, lb (N)

i_i = in-plane stress intensification factor from [Mandatory Appendix E](#)

i_o = out-plane stress intensification factor from [Mandatory Appendix E](#)

M_i = in-plane bending moment, in.-lb (N·m)

M_o = out-plane bending moment, in.-lb (N·m)

M_t = torsional moment, in.-lb (N·m)

S = specified minimum yield strength, psi (MPa)

S_a = axial stress, psi (positive tensile or negative compressive) (MPa)
= F_a/A

S_b = resultant bending stress, psi (MPa)

$$= [(i_i M_i)^2 + (i_o M_o)^2]^{1/2}/z$$

S_h = hoop stress using t , psi (MPa)

S_L = longitudinal stress, psi (positive tensile or negative compressive) (MPa)

$$= S_a + S_b \text{ or } S_a - S_b, \text{ whichever results in the larger combined stress value}$$

S_t = torsional stress, psi (MPa)

$$= M_t/2z$$

t = nominal wall thickness, in. (mm)

z = section modulus of pipe using t , in.³ (cm³)

Alternatively, the Maximum Distortional Energy Theory (Von Mises combined stress) may be used for limiting combined stress values. Accordingly, the combined stress should not exceed values given by

$$\left(S_h^2 - S_L S_h + S_L^2 + 3S_t^2 \right)^{1/2} \leq F_3 S$$

(d) *Combined Stress for Risers and Platform Piping*. The combined stress shall not exceed the value given by the maximum shear stress equation (Tresca combined stress):

$$\max \left[\left| \left[\left(\frac{S_{L(mwt)} - S_{h(mwt)}}{2} \right)^2 + S_{t(mwt)}^2 \right]^{1/2} \right|, \left| \left(\frac{S_{L(mwt)} + S_{h(mwt)}}{2} \right) - \left[\left(\frac{S_{L(mwt)} - S_{h(mwt)}}{2} \right)^2 + S_{t(mwt)}^2 \right]^{1/2} \right|, \left| \left(\frac{S_{L(mwt)} - S_{h(mwt)}}{2} \right)^2 + S_{t(mwt)}^2 \right|^{1/2} \right|, \left| \left(\frac{S_{L(mwt)} + S_{h(mwt)}}{2} \right) + \left[\left(\frac{S_{L(mwt)} - S_{h(mwt)}}{2} \right)^2 + S_{t(mwt)}^2 \right]^{1/2} \right|, \left| \left[\left(\frac{S_{L(mwt)} - S_{h(mwt)}}{2} \right)^2 + S_{t(mwt)}^2 \right]^{1/2} \right| \right], \leq F_3 S$$

where

- $A_{(mwt)}$ = cross-sectional area of pipe material using t_{\min} , in.² (mm²)
- F_3 = combined stress design factor from Table A842.2.2-1
- F_a = axial force, lb (N)
- i_i = in-plane stress intensification factor from Mandatory Appendix E
- i_o = out-plane stress intensification factor from Mandatory Appendix E
- M_i = in-plane bending moment, in.-lb (N·m)
- M_o = out-plane bending moment, in.-lb (N·m)
- M_t = torsional moment, in.-lb (N·m)
- S = specified minimum yield strength, psi (MPa)
- $S_{a(mwt)}$ = axial stress, psi (positive tensile or negative compressive) (MPa)
- = $F_a/A_{(mwt)}$
- $S_{b(mwt)}$ = resultant bending stress, psi (MPa)
- = $[(i_i M_i)^2 + (i_o M_o)^2]^{1/2}/Z_{(mwt)}$
- $S_{h(mwt)}$ = hoop stress using t_{\min} , psi (MPa)
- $S_{L(mwt)}$ = longitudinal stress, psi (positive tensile or negative compressive) (MPa)
- = $S_{a(mwt)} + S_{b(mwt)}$ or $S_{a(mwt)} - S_{b(mwt)}$, whichever results in the larger combined stress value
- $S_{t(mwt)}$ = torsional stress, psi (MPa)
- = $M_t/2Z_{(mwt)}$
- t_{\min} = minimum wall thickness, in. (mm)
- $Z_{(mwt)}$ = section modulus of pipe using t_{\min} , in.³ (cm³)

Alternatively, the Maximum Distortional Energy Theory (Von Mises combined stress) may be used for limiting combined stress values. Accordingly, the combined stress should not exceed values given by

$$(S_{h(mwt)}^2 - S_{L(mwt)}S_{h(mwt)} + S_{L(mwt)}^2 + 3S_{t(mwt)}^2)^{1/2} \leq F_3S$$

A842.2.3 Alternate Design for Strain. In situations where the pipeline experiences a predictable noncyclic displacement of its support (e.g., fault movement along the pipeline route or differential subsidence along the line) or pipe sag before support contact, the longitudinal and combined stress limits need not be used as criteria for safety against excessive yielding, so long as the consequences of yielding are not detrimental to the integrity of the pipeline. The permissible maximum longitudinal strain depends on the ductility of the material, any previously experienced plastic strain, and the buckling behavior of the pipe. Where plastic strains are anticipated, the pipe eccentricity, pipe out-of-roundness, and the ability of the weld to undergo such strains without detrimental effect should be considered. Similarly, the same criteria may be applied to the pipe during construction (e.g., pull-tube or bending shoe risers).

A842.2.4 Design Against Buckling and Ovalization.

Avoidance of buckling of the pipeline and riser during operation shall be considered in design. Modes of buckling that may be possible include

- (a) local buckling of the pipe wall
- (b) propagation buckling following local buckling
- (c) column buckling

Additional information for determining buckling tendencies can be found in API RP 1111, paras. 4.3.2.3 and 4.3.2.4, and Annex D.

A842.2.5 Design Against Fatigue. Stress fluctuations of sufficient magnitude and frequency to induce significant fatigue should be considered in design.

Loadings that may affect fatigue include

- (a) pipe vibration, such as that induced by vortex shedding
- (b) wave action

Pipe and riser spans shall be designed so that vortex induced resonant vibrations are prevented, whenever practical. When doing so is impractical, the total resultant stresses shall be less than the allowable limits in para. A842.2.2, and such that fatigue failure should not result during the design life of the pipeline.

Additional information for fatigue analysis can be found in API RP 1111, para. 4.5.

A842.2.6 Design Against Fracture. Materials used for pipelines transporting gas or gas-liquid mixtures under high pressure should have reasonably high resistance to propagating fractures at the design conditions, or other methods shall be used to limit the extent of a fracture.

A842.2.7 Design of Clamps and Supports. Clamps and supports shall be designed such that a smooth transfer of loads is made from the pipeline or riser to the supporting structure without highly localized stresses due to stress concentrations. When members are to be welded to the pipe they shall fully encircle the pipe and be welded to the pipe by a full encirclement weld. The support shall be attached to the encircling member and not the pipe.

All welds to the pipe shall be nondestructively tested. Clamps and supports shall be designed in accordance with the requirements of API RP 2A-WSD, Section 3.

Clamp and support design shall consider the corrosive effects of moisture retaining gaps and crevices and galvanically dissimilar metals.

A842.2.8 Design of Connectors and Flanges. Connectors and flanges shall be such that smooth transfer of loads is made without high localized stresses or excessive deformation of the attached pipe.

Connectors and flanges shall have a level of safety against failure by yielding and failure by fatigue that is comparable to that of the attached pipeline or riser.

A842.2.9 Design of Structural Pipeline Riser Protectors. Where pipeline risers are installed in locations subject to impact from marine traffic, protective devices shall be installed in the zone subject to damage to protect the pipe and coating.

A842.2.10 Design and Protection of Special Assemblies. Design of connections and special assemblies shall consider the additional forces and effects imposed by a subsea environment. Such additional considerations include design storm currents and potential for seabed movement in soft sediments, soil liquefaction, increased potential corrosion, thermal expansion and contraction, and stress due to installation procedures. In areas of active fishing, protective measures may be appropriate for connections and special assemblies.

A842.2.11 Design of Flexible Pipe. Due to its composite makeup, the mechanical behavior of flexible pipe is significantly different from steel pipe. Flexible pipe may be used for offshore pipelines if calculations and/or test results verify that the pipe can safely withstand loadings considered in [paras. A841.3.2](#) and [A841.3.3](#). In the selection of flexible pipe, consideration should be given to its permeable nature. The possibility of implosion under the combined conditions of high pressure, high temperature, and very rapid depressurization should be investigated where such conditions may be expected. Selection of flexible pipe shall be in accordance with API RP 17B and API Spec 17J.

A843 COMPRESSOR STATIONS

A843.1 Compressor Station Design

The requirements of this paragraph recognize the unique design conditions and space limitations imposed when designing offshore compression facilities and therefore relate only to offshore compression facilities.

It is the further intent of this section to make the designer aware of personnel safety during the design and operation of offshore compression facilities.

A843.1.1 Location of Compressor Facilities. The compressor facilities located on platforms should be designed to facilitate free movement of fire fighting or other emergency equipment.

A843.1.2 Enclosures. All enclosures located on an offshore platform shall be constructed of noncombustible or limited combustible material as defined in NFPA 220, Chapter 2. Design of enclosures on offshore platforms shall consider the loading conditions defined in [para. A841.3](#).

A843.1.3 Exits. A minimum of two exits shall be provided for each operating level of a compressor building. Any elevated walkway, including engine

catwalks more than 10 ft (3 m) above the deck, shall also be provided with two exits. The maximum distance from any point within the compressor building to an exit shall not exceed 75 ft (23 m). Enclosure exits shall be unobstructed and located so as to provide a convenient route of escape and shall provide continuous unobstructed passage to a place of safety. Exit doors located on exterior walls shall swing outward and shall be equipped with latches that can be readily opened from the inside without a key.

A843.1.5 Hazard Analysis for Offshore Compressor Stations. A hazard analysis for offshore compressor stations shall be conducted in accordance with API RP 14J to meet the requirements of API RP 14C.

A843.2 Electrical Facilities

All electrical equipment and wiring installed on offshore compression platforms shall conform to the requirements of NFPA 70, if commercially available equipment permits.

Electrical installations in offshore hazardous locations as defined in NFPA 70, Chapter 5, Article 500 and that are to remain in operation during compressor station emergency shutdown as provided in [para. A843.3.3\(a\)](#) shall be designed to conform to NFPA 70, for Class I, Division I requirements.

The guidelines of API RP 14F should be considered in electrical facility design.

A843.3 Compressor Station Equipment

A843.3.3 Safety Devices

(a) Emergency Shutdown Facilities. All gas compression equipment shall be provided with an emergency shutdown system that will block out the gas going to and from the compressor station. Operation of the emergency shutdown system shall cause the shutdown of all gas compression equipment and all gas-fired equipment and shall de-energize the electrical facilities in the compressor building, except for those that provide emergency lighting for personnel protection and those that are necessary for protection of equipment. The emergency shutdown system shall be operable from a minimum of two locations on each deck level; that is, should an offshore platform facility have more than one clearly defined deck, each deck shall have a minimum of two shutdown locations. Blowdown piping shall extend to a location where the discharge of gas is not likely to create a hazard to the platform facilities. Consideration should be given to potential entrained liquids, prevailing winds, and location of crew quarters if part of the platform facility. Under conditions of heavy liquid entrainment and poor prevailing wind conditions, a separate structure for a blowdown facility shall be considered.

(22) **A843.3.4 Pressure-Relieving and Pressure-Limiting Requirements for Offshore Compression Facilities: Vent Piping**

Vent piping that can operate above atmospheric pressure shall be designed, constructed, and tested in accordance with this Code. Pressure relief valves shall be vented to atmosphere such that no hazard is created. Vent piping, common headers, and platform blowdown lines shall have sufficient capacity so that they will not interfere with the performance of the relief device.

A844 ON-BOTTOM STABILITY

Pipeline design for lateral and vertical stability is governed by seafloor bathymetry, soil characteristics, and by hydrodynamic, seismic, and soil behavior events having a significant probability of occurrence during the life of the system. Design conditions to consider are provided in the following subsections.

The pipeline system shall be designed to prevent horizontal and vertical movements, or shall be designed so that any movements will be limited to values not causing allowable stresses to be exceeded (see [section A842](#)).

Typical factors to be considered in the stability design include

- (a) wave and current forces
- (b) scour and resultant spanning
- (c) liquefaction
- (d) slope failure

Stability may be obtained by such means including, but not limited to, pipe submerged weight, trenching of pipe below grade, and anchoring.

When calculating hydrodynamic forces, the spatial variance of wave forces along the length of the pipeline may be taken into account.

Additional information on hydrostatic stability can be found in API RP 1111, para. 4.4.2.

A844.1 Design Storm Conditions

Design wave and current conditions for portions of a pipeline that will not be trenching shall be based on a storm having a minimum return interval of no less than five times the design life or 100 yr, whichever is smaller. Portions of the pipeline system to be trenching shall be designed for wave and current conditions based on prudent assessment of the period of pipe exposure. The most unfavorable expected combination of wave and current conditions shall be used. Maximum wave and maximum current conditions do not necessarily occur simultaneously. The most unfavorable condition selection shall account for the timing of occurrence of the wave and current direction and magnitude.

A844.2 Stability Against Waves and Currents

A844.2.1 Submerged Weight. The submerged weight of the pipe may be designed (such as by weight coating) to resist or limit movement to acceptable values. Hydrodynamic forces shall be based on the wave and current values for the design storm condition for the specific location.

Wave and current directionality and concurrency shall be considered.

A844.2.2 Bottom Soils. The pipe-soil interaction factors that are used shall be representative of the bottom conditions at the site.

A844.2.3 Trenching. The pipeline and its appurtenances may be trenching below bottom grade to provide stability. The pipeline must be designed for wave and current stability prior to trenching. Such stability, however, need only be based on environmental conditions expected during the period of pipe exposure.

A844.2.4 Backfilling. Backfilling or other protective coverings, when necessary, shall be accomplished by using such materials and procedures to preclude damage to the pipeline and coatings.

A844.2.5 Anchoring. Anchoring may be used instead of or in conjunction with submerged weight to maintain stability. The anchors shall be designed to withstand lateral and vertical loads expected from the design storm condition. Anchors shall be spaced to prevent excessive stresses in the pipe sections between anchors. The anchoring system and adjacent pipe shall be designed to prevent scour and resultant spanning from overstressing the pipe. The effect of anchors on the cathodic protection system shall be considered.

A844.3 Shore Approaches

Pipe in the shore approach zone shall be trenching or bored to the depth necessary to prevent scouring, spanning, or stability problems that affect integrity and safe operation of the pipeline during its anticipated service life. Seasonal variation in the near shore thickness of seafloor sediments and shoreline erosion over the pipeline service life shall be considered.

API RP 1133 may be used for additional guidance.

A844.4 Slope Failure

The pipeline shall be designed for slope failure in zones of known or anticipated occurrence, such as mudslide zones and areas of seismic slumping. The design exposure period shall be no less than the expected life of the pipeline. If it is not practical to design the pipeline system to survive the event, the pipeline shall be designed for controlled breakaway with check valving to prevent blowdown of the pipeline.

A844.5 Soil Liquefaction

Design for the effects of liquefaction shall be performed for areas of known or expected occurrence. Soil liquefaction normally results from cyclic wave overpressures or seismic loading of susceptible soils. The bulk specific gravity of the pipeline shall be designed, or alternative methods shall be selected to ensure both horizontal and vertical stability.

Seismic design conditions used to predict the occurrence of bottom liquefaction or slope failure shall have the same recurrence interval as used for the operating stress calculations for the pipeline. Occurrence of soil liquefaction due to wave overpressures shall be based on a storm return interval of no less than five times the design life or 100 yr, whichever is smaller.

A846 VALVES

Offshore transmission lines shall be equipped with valves or other components to shut off the flow of gas to an offshore platform in an emergency.

Block valves shall be accessible and protected from damage and tampering. If a blowdown valve is involved, it shall be located where the gas can be blown to the atmosphere without undue hazard.

Blowdown valves shall be provided so that each section of pipeline between main line valves can be blown down. The sizes and capacity of the connections for blowing down the line shall be such that under emergency conditions the section of line can be blown down as rapidly as is practicable.

A847 TESTING

A847.1 General Provisions

All offshore pipelines, including prefabricated piping and special assemblies, shall be tested after installation and prior to operation within the provisions of this Section. Prefabricated, pretested portions of offshore pipeline risers, jumpers, special assemblies, expansion loops, and tie-in spools may be excluded from the pipeline system hydrostatic test when inclusion is impracticable.

(22) A847.2 Test Pressure

The installed pipeline system (including any SCR up to its hang-off point) shall be hydrostatically tested to at least 1.25 times the maximum allowable operating pressure. Offshore platform piping and offshore pipeline risers other than SCRs must be tested to at least 1.5 times the maximum allowable operating pressure either before or after installation. Prefabricated piping that has been pretested to 1.5 times the maximum allowable operating pressure need not be tested after installation if

all items are tied in by connectors, flanges, or welds that have been radiographically examined.

CAUTION: When an external pressure, P_e , greater than zero is used in the hoop stress formula in para. A842.2.2(a), there is a possible combination of conditions where the yield strength of the pipe could be exceeded during the hydrostatic test. Therefore, the hoop stress and combined stress shall be checked to confirm that they are within allowable limits to prevent pipe yielding, considering both the internal and external pressures when determining the maximum hydrostatic test pressure.

A847.3 Test Medium

The test medium for all offshore pipelines will be water. Additives to mitigate the effects of corrosion, biofouling, and freezing should be considered. Such additives should be suitable for the methods of disposal of the test medium.

In arctic areas where freezing of water is a hazard, the use of air, inert gas, or glycol is allowable. Platform gas and compression piping may be tested with inert gas.

A847.4 Test Procedure

The hydrostatic pressure test shall be conducted in accordance with a specified procedure that shall, at a minimum, provide for

(a) performance of the test after installation and before initial operation of the pipeline system except as provided in para. A847.2.

(b) maintenance of the test and recording of results on the pipeline system for a minimum of eight continuous hours at or above the specified pressure. All variations in test pressure shall be accounted for.

(c) maintenance of the test and recording of results on prefabricated piping and special assemblies for a minimum of two continuous hours at or above the specified pressure when pretesting. All variations in the test pressure shall be accounted for.

(d) a retest if, during the hold time, a rupture or hazardous leak occurs that renders the test invalid. Retesting shall commence after repairs have been made.

A847.5 Records

The operating company shall maintain in its file, for the useful life of each pipeline, records showing the type of test fluid, the test procedure, the test pressure, and the duration of the test.

A847.6 Tie-Ins

It is recognized that it may not be possible to hydrostatically test the tie-in between two test sections. Pressure testing of tie-in welds may be exempted if the tie-in weld is examined by radiographic and/or other applicable NDT methods.

(22)

A847.7 Testing for Buckles

Testing for buckles, dents, and other diameter restrictions shall be performed after installation. Testing shall be accomplished by passing a deformation detection device through the pipeline section, or by other methods capable of detecting a change in pipe diameter. Pipe having excessive deformation that affects the serviceability of the pipeline facilities shall be repaired or replaced. Consideration should also be given to repairing excessive ovality that may interfere with pigging operation or internal inspection.

A850 OPERATING AND MAINTENANCE PROCEDURES AFFECTING THE SAFETY OF GAS TRANSMISSION FACILITIES

A850.1 General

All provisions of [Chapter V](#), which depend on Location Class, do not apply to offshore gas transmission systems, except that offshore pipelines approaching shoreline areas shall additionally be operated and maintained consistently with Location Class provisions as determined in [section 840](#).

A850.3 Essential Features of the Operating and Maintenance Plan

The plan prescribed in [para. 850.2\(a\)](#) shall include

(a) detailed plans and instructions for employees covering operating and maintenance procedures for gas facilities during normal operations and repairs

(b) items recommended for inclusion in the plan for specific classes of facilities, which are given in [paras. A851.2](#) and [A851.4](#), and [section A860](#)

(c) plans to give particular attention to those portions of the facilities presenting the greatest hazard to the public and environment in the event of an emergency or because of construction or extraordinary maintenance requirements

(d) provisions for periodic inspections along the route of existing pipelines

A850.4 Essential Features of the Emergency Plan

A850.4.3 Liaison. Each operating company shall establish and maintain liaison with available offshore fire-fighting entities (public and or privately owned) that may be designated for any particular offshore area.

A850.4.4 Educational Program. An educational program shall be established to enable producers and the general public operating in the offshore area to recognize and report a gas emergency to the appropriate officials. The educational program called for under this section should be tailored to the type of pipeline operation and the environment traversed by the pipeline and should be conducted in each language that is significant in the

community served. Operators of transmission systems should communicate their programs to people, contractors, or others that usually work in the offshore area of concern. The programs of operators in the same area should be coordinated to properly direct reports of emergencies and to avoid inconsistencies.

A850.7 Blasting Effects

Each operating company shall establish procedures for protection of facilities in the vicinity of blasting activities. The operating company shall

(a) locate and mark its pipeline when explosives are to be detonated within distances as specified in company plans. Consideration should be given to the marking of minimum blasting distances from the pipelines depending on the type of blasting operation.

(b) determine the necessity and extent of observing or monitoring blasting activities based on the proximity of the blast considering the pipe materials, the operating conditions, the size of charge, and soil conditions. Consideration should be given to

(1) the effect of shock waves on the pipeline from blasting

(2) conducting a leak survey following completion of the blasting program

A851 PIPELINE MAINTENANCE

A851.2 Pipeline Patrolling

Each operating company shall maintain a periodic pipeline patrolling program to observe conditions on and adjacent to the pipeline right-of-way, indication of leaks, construction activity other than that performed by the company, and any other factors affecting the safety and operation of the pipeline. These inspections should be made as often as necessary to maintain the integrity of the pipeline. Records of these inspections shall be maintained for the life of the facility. Provisions of [paras. 851.2](#), [851.2.1](#), and [851.2.2](#) do not apply to this Chapter.

A851.4 Above-Water and Hyperbaric Repair Procedures for Steel Pipelines

All above-water and hyperbaric repair procedures for steel pipelines shall conform to the requirements of [para. 851.4](#).

A851.4.5 Offshore Below-Water Repair Procedures for Steel Pipelines. Submerged offshore pipelines may be repaired by replacement of the damaged section or by the use of a full encirclement split sleeve of appropriate design installed over the damage. Replacement sections and split sleeves shall be secured by atmospheric dry or hyperbaric welding or mechanical devices. Repairs shall be visually inspected for leaks after being returned to service.

Any offshore below-water repair procedures shall conform to [para. 851.4](#) provisions.

Repairs should be performed under qualified supervision by trained personnel aware of and familiar with the maintenance plan and operating conditions of the pipeline, the company's safety requirements, and the hazards to public safety and environment.

Evacuation and repair operations should not result in imposed loads or deformations that would impair the integrity of the pipe materials, weight, or protective coating.

The use of subsurface equipment equipped with cutters, ejectors, jets, or air suction systems should be carefully controlled and monitored to avoid damaging the pipeline, external coating, or cathodic protection system.

When lifting or supporting pipe during repairs, the curvature of a pipe sag bend and overbend should be controlled and maintained within limits to minimize pipe coating damage, overstressing, denting or buckling during the repair operation, and lifting equipment should be selected accordingly.

Wave and current loads should be considered in determining total imposed stresses and cyclical loads in both surface and subsurface repairs.

Personnel working on pipeline repairs should understand the need for careful job planning, be briefed on procedures to be followed in accomplishing repairs, and follow necessary precautionary measures and procedures.

When pipe is repaired, damaged coating should also be repaired. Replacement pipe and components shall be protected from corrosion.

A851.4.6 Offshore Repair of Flexible Pipe. If the operability of the flexible pipe is impaired (i.e., major structural damage), the pipe shall be repaired by replacement of the damaged section. In the event of surface cuts and abrasions in the protective coating that do not expose the load carrying members to potential corrosion, the repair shall be performed in a manner recommended by the manufacturer.

A851.7 Pipeline Markers and Signs

Permanent markers are not required for offshore pipelines; however, suitable signs should be posted on platforms to serve as a hazard area warning. Where appropriate, signs should display the operating company identification and emergency communication procedures.

A854 LOCATION CLASS

There are no operating Location Classes offshore.

A860 CORROSION CONTROL OF OFFSHORE PIPELINES

A860.1 Scope

Since offshore pipelines cannot be readily inspected after installation and there is the possibility of damage to the coating system, special consideration should be given to the selection, design, and application of corrosion control coatings, the cathodic protection system, and other corrosion design elements.

A860.2 Evaluation of Existing Installations

(22)

(a) Monitoring. The operating company must rely on monitoring, investigation, inspections, and corrective action to control corrosion. Such activities shall be performed at periodic intervals sufficient to ensure that adequate corrosion control is maintained. Where it is determined that corrosion that is taking place may be detrimental to public or employee safety, the facility shall be repaired or replaced, and corrosion control measures applied or augmented.

(e) Examination When Exposed

(1) When a pipeline is lifted above water for maintenance or repair, the operating company shall visually inspect for evidence of coating deterioration, external corrosion, and, where possible, the condition of any exposed anode. If excessive corrosion is present, remedial action shall be taken as necessary.

(2) If repairs are made below water, inspection for evidence of external corrosion or coating deterioration shall be made, and necessary corrective action shall be taken to maintain the corrosion protection of the pipeline.

A861 EXTERNAL CORROSION CONTROL

A861.1 Submerged Installations

All submerged steel pipe, valves, and related fittings shall be externally coated and cathodically protected. All above-water piping and components shall be protected from the particularly corrosive conditions of the salt water atmosphere and cyclic wetting and drying.

A861.1.1 Coatings

(a) Coating Design. The design of coating systems for offshore installation should reflect the type of environment in which the facility is to be installed. Selection of the protective coating should be based on

(1) low water absorption

(2) compatibility with the type of cathodic protection to be applied to the system

(3) compatibility with the system operating temperature

(4) sufficient ductility to minimize detrimental cracking

(5) sufficient toughness to withstand damage during installation

(6) resistance to future deterioration in a submerged environment

(7) ease of repair

(b) *Cleaning and Surface Preparation.* There may be additional cleaning and surface preparation requirements, such as a near white metal finish and an anchor pattern to promote a good bond for all epoxy-based thin film coatings. Welds should be inspected for irregularities that could protrude through the pipe coating, and any such irregularities should be removed.

(c) *Application and Inspection.* The coating should be applied under controlled conditions and have a high resistance to disbondment. Further information can be obtained from NACE SP0169. A holiday detector, suitable for the type of coating applied, shall be used to detect flaws. Flaws noted shall be repaired and retested. Weights or weight coating shall not damage the protective coating during application or installation.

(d) *Coating for Weld Joints, Appurtenances, and Patching.* Weld joints and appurtenances shall be coated with material that is compatible with the basic coating. A holiday detector, designed for the type of field joint material applied, may be used to detect flaws, and flaws shall be repaired and retested.

(e) *Field Inspection.* The pipe shall be visually inspected prior to installation to ensure that unacceptable damage has not occurred during loading, welding, or other laying activities prior to submergence of the pipe. Any significant damage to the coating shall be repaired with material compatible with the pipeline coating. Care should be exercised to minimize damage to the coating system, particularly during laying and trenching of the pipe.

A861.1.2 Cathodic Protection Requirements

(a) *Design Criteria.* An offshore facility is considered to be cathodically protected when it meets the applicable criteria of NACE SP0115/ISO 15589-2.

(b) *Impressed Currents.* Where impressed current systems are used, the system shall be designed to minimize outages, and the output shall be such that the design criterion is met. Also, consideration should be given to minimize the interference effect on other pipelines or structures.

(c) *Galvanic Anodes.* Where galvanic anodes are used for protection, consideration shall be given to the quality of the coating (i.e., the percent of exposed pipe). Also, the design formula for the system should include the output of the anodes, the desired life of the system, anode material, and utilization efficiency. Anodes used should be compatible with the operating temperature of the pipeline and the marine environment.

(d) *Other.* Consideration should be given to the effects on cathodic protection of variations in oxygen content, temperature, and water/soil resistivity of the particular offshore environment in which the pipeline is installed.

A861.1.3 Electrical Isolation. Underwater pipeline systems shall be electrically isolated from other metallic structures so that cathodic protection can be effective. An exception can be made when both the foreign structure and the pipeline are designed to be protected as a unit. Other general considerations include the following:

(a) *Tie-Ins.* Isolation from foreign pipelines at tie-ins may be made by installing insulation flanges, unions, or other insulating devices. When making a tie-in of a coated line to a bare line, the two lines shall be electrically isolated.

(b) *Foreign Pipeline Crossings.* When crossing a foreign pipeline, care shall be exercised to ensure adequate separation between the two lines so that the possibility for electrical interference is minimized.

(c) *Pipeline Riser Support and Secondary Piping.* When installing riser piping at platforms, supporting devices such as clamps and pipe supports shall isolate the piping from the structure. Insulating devices shall be installed where electrical isolation of a portion of the piping system from production piping, tanks, and other facilities is necessary to facilitate application of cathodic protection. Electrical interference between electrically isolated structures shall be minimized. Wiring and piping connections to an isolated pipeline shall also have insulation between the pipeline and the platform. Tests shall be made to ensure adequate isolation, and appropriate action shall be taken to ensure such isolation when necessary.

A861.1.4 Electrical Connections and Monitoring Points. Test leads shall be installed so that they are mechanically secure, electrically conductive, and accessible for testing. It is considered impractical to locate test leads in deep or open water. Test leads installations are usually limited to platforms and the pipeline entrance to the shore.

A861.1.7 Electrical Interference. Periodic tests shall be made to ensure that electrical isolation from foreign pipelines or other structures remains complete. Some indications of electrical interference are changes in pipe-to-electrolyte potential, changes in current magnitude or direction, localized pitting, and coating breakdown. When new foreign pipelines are laid in the vicinity of existing lines, inspections shall be made to ensure electrical isolation in accordance with [para. 861.1.3\(a\)](#). If electrical isolation cannot be attained, measures shall be taken to minimize electrical interference. Electrical isolation from the platform should be checked and maintained unless the system was specifically designed to be jointly protected.

A861.2 Above-Water Atmospheric Protection

A861.2.1 Coatings. The splash zone area, where the pipeline is intermittently wet and dry, shall be designed with additional protection against corrosion. This shall be accomplished by one or more of the following:

- (a) special coating
- (b) special protective systems and techniques
- (c) other suitable measures, including selection of pipe material

A861.2.2 Surface Preparation. Coatings and other protective systems shall be installed on a properly prepared surface and in accordance with established specifications or manufacturer's recommendations. The coating should resist water action, atmospheric deterioration, mechanical damage, and cathodic disbondment.

A861.4 Atmospheric Corrosion Inspection

Detailed inspections shall be made periodically of all piping for atmospheric corrosion. This inspection shall include those areas most susceptible to corrosion such as flanges, flange bolts, areas under pipe straps, areas where pipe is in contact with supports, and other places where moisture collects. Where atmospheric corrosion is found, prompt corrective action shall be taken. Corrective action shall consist of painting, replacement of components as necessary, or other action deemed appropriate by the operating company.

A862 CATHODIC PROTECTION CRITERIA**A862.1 Criteria**

The applicable criteria for cathodic protection are specified in NACE SP0115/ISO 15589-2.

A862.3 Electrical Checks

The operating company shall take electrical readings periodically at each test location available to ensure that the cathodic protection level meets the applicable criteria in NACE SP0115/ISO 15589-2.

Before each electrical test is performed, an inspection shall be made to ensure electrical continuity and that a good contact to the pipelines is made by the test connection.

A864 INTERNAL CORROSION CONTROL**A864.1 General**

The design and maintenance of offshore pipeline facilities that may carry natural gas containing carbon dioxide, chlorides, hydrogen sulfide, organic acids, solids or precipitates, sulfur-bearing compounds, oxygen, or free water require special consideration for the control of internal corrosion.

Chapter IX

Sour Gas Service

B800 SOUR GAS SERVICE

Chapter IX pertains only to gas pipeline service that contains hydrogen sulfide levels defined as “sour gas” in this Chapter.

B801 GENERAL

This Chapter is organized to parallel the numbering and content of the first six chapters of the Code. All provisions of the first six chapters of the Code are also requirements of this Chapter unless specifically modified herein. Paragraph headings follow those in the first six chapters with the prefix “B.”

If a paragraph appearing in Chapters I through VI does not have a corresponding paragraph in this Chapter, the provisions apply to sour gas service without modification. If a paragraph in this Chapter has no corresponding paragraph in Chapters I through VI, the provisions apply to sour gas only.

B802 SCOPE AND INTENT

(22) B802.1 Scope

This Chapter of the Code covers the design, material requirements, fabrication, installation, inspection, examination, testing, and safety aspects of operation and maintenance of sour gas systems.

B802.2 Intent

The intent of this Chapter is to provide adequate requirements for the safe and reliable design, installation, operation, and maintenance of sour gas service pipeline systems. Requirements of this Chapter supplement the requirements of the remainder of this Code. It is not the intent of this Chapter to be all inclusive. Provisions must be made for special considerations that are not specifically addressed. This Chapter is not intended to prevent the development and application of new equipment and technology. Such activity is encouraged as long as the safety and reliability requirements of this Code are satisfied.

B803 SOUR GAS TERMS AND DEFINITIONS

chloride stress corrosion cracking: cracking of a metal under the combined action of tensile stress and corrosion in the presence of chlorides and an electrolyte (usually water).

diffusion: the flow of the gas through a substance in which the gas actually migrates through the crystal lattice of the substance rather than through a geometrical leak (molecular diameters versus hole dimension).

hardness: resistance of metal to plastic deformation usually by indentation. For carbon steels, hardness can be related to the ultimate tensile strength.

Brinell Hardness Number (BHN): a value to express the hardness of metals obtained by forcing a hard steel ball of specified diameter into the metal under a specified load. For the standard 3 000 kg load, numbers range from 81 to 945.

Microhardness: any hardness measurement using an indenter load less than 10 kg.

Rockwell Hardness: a series of hardness scales for metals.

(a) The Rockwell “C” (HRC) scale uses a cone diamond indenter and a load of 150 kg. The scale starts at 20 for soft steels and reaches a maximum of about 67 for very hard alloys.

(b) The Rockwell “B” (HRB) scale uses a hard metal ball indenter and starts at 0 for extremely soft metals and reaches a maximum of 100 for soft steels and alloys. HRB 100 = HRC 20.

Vickers Hardness HV 10: a value achieved by use of a diamond pyramid indenter with a load of 10 kg.

heat-affected zone (HAZ): the portion of the base metal that was not melted during brazing, cutting, or welding, but whose microstructure and properties were affected by the heat of these processes.

hydrogen blistering: the formation of subsurface planar cavities, called hydrogen blisters, in a metal resulting from excessive internal hydrogen pressure. Growth of near-surface blisters in low-strength metals usually results in surface bulges.

hydrogen-induced cracking (HIC): a cracking mechanism of susceptible materials caused by atomic hydrogen diffusion in the metal. The atomic hydrogen usually is

created by the corrosive reaction of hydrogen sulfide on steel in the presence of water.

hydrogen sulfide (H₂S): a toxic gaseous impurity found in some well gas streams. It also can be generated in situ as a result of microbiologic activity.

microbiologically influenced corrosion (MIC): corrosion or deterioration of metals resulting from the metabolic activity of microorganisms. Such corrosion may be either initiated or accelerated, or both, by microbial activity.

microstructure: the grain size and morphology of metals and alloys as revealed after polishing and etching; characterized by grains or regions that exhibit distinct phases of solid solutions of constituent elements.

partial pressure: the contribution of a single component, such as hydrogen sulfide, in a mixture of gases to the total pressure of the mixture, determined by multiplying the mol fraction (mol percent divided by 100) of hydrogen sulfide in the gas by the total system pressure.

radius of exposure (ROE): when dealing with sour gas, the distance from a point of release at which the hydrogen sulfide concentrations reached a specified level (frequently 100 ppm or 500 ppm) determined by dispersion calculations.

sour gas: gas containing hydrogen sulfide (H₂S) at 65 psia (450 kPa) or greater at a partial pressure of 0.05 psia (350 Pa) or greater. See NACE MR0175/ISO 15156, Petroleum and natural gas industries — Materials for use in H₂S-containing environments in oil and gas production.

sulfide stress cracking (SSC): a corrosion-related cracking mechanism caused by exposure of susceptible materials to sulfide ions in the presence of free water.

B813 MARKING

Valves meeting NACE MR0175/ISO 15156 shall be so identified with a permanent tag or marking.

B814 MATERIAL SPECIFICATIONS

B814.1 Pipe Conforming to Referenced Standards and Specifications

Materials must meet the requirements of NACE MR0175/ISO 15156.

B820 WELDING SOUR GAS PIPELINES

This section concerns the welding of pipe in sour gas service in both wrought and cast steel materials.

B821 GENERAL

B821.1 General Requirements

This section covers butt-welded and fillet-welded joints in pipe, valves, flanges, and fittings, and fillet-welded joints in pipe, slip-on flanges, socket welds, fittings, etc., as applied in pipelines, components, and connections to apparatus or equipment.

B821.2 Welding Processes

This paragraph does not apply to the welding of the seam in the manufacture of pipe, but the user is cautioned to ensure that such seams are suitable for sour gas service in their installed condition.

B821.4 Weld Acceptance

The standards of acceptability for welds of piping systems as established in API Std 1104 or the BPV Code, Section VIII, Division 1 shall be used; however, additional requirements for hardness and residual stress should be considered.

B822 PREPARATION FOR WELDING

B822.3 Seal Welds

Seal welds shall have a separate qualified procedure.

B822.4 Cleaning

Pipe that has been in sour gas service shall be thoroughly cleaned to bright metal on the inside surfaces back 1 in. (25 mm) from the weld bevel.

B823 QUALIFICATION OF PROCEDURES AND WELDERS

The requirements of [para. 823.1](#) shall not apply to this section.

B823.2 Requirements for Qualification of Procedures and Welders on Sour Gas Piping Systems

B823.2.1 Qualifying Standard. All procedure and performance qualifications shall be based on destructive mechanical test requirements.

B823.2.4 Hardness Control. The hardness of all weld zones including weld metal and heat-affected zones on welding qualification test specimens shall meet the hardness requirements for the alloys welded as specified in NACE MR0175/ISO 15156. For most common pipe alloys, the maximum allowable hardness is HRC 22. It is the user's responsibility to ensure the welding

qualification specimen is metallurgically representative of full-scale pipeline welds.

NOTE: Both macrohardness and microhardness surveys of properly prepared qualification specimens are frequently used to determine the presence of thin HAZ hard zones. A commonly accepted maximum macrohardness limit near the inside surface is 250 HV10.

B824 PREHEATING

B824.5 Hydrogen Bake Out of Used Pipe

Pipe that has been used in sour gas service shall be heated for at least 20 min at 400°F (204°C) or higher to drive off any hydrogen in the metal. Heating shall be done just prior to welding. This heating should be in addition to and immediately preceding any preheating specified in the welding procedure for new pipe.

B825 STRESS RELIEVING

B825.1 Carbon Steels

The chemistry of the steel and welding procedure shall be controlled to limit the hardness of the weldment as required by [para. B823.2.4](#). When the effectiveness of such controls is questionable, consideration shall be given to stress relieving welds in sour gas service. In general, temper bead welding, peening procedures, or low-temperature postweld heat treatment does not provide the equivalent protection from service cracking as does a full thermal stress relief.

(22) B825.6 Stress Relieving Temperature

(a) Stress relieving is normally performed at a temperature of 1,100°F (593°C) for carbon steels and 1,200°F (649°C) for ferritic alloy steels. Other stress relieving procedures may be substituted when properly supported with metallurgical evidence. The exact temperature range shall be stated in the procedure specification.

(b) When stress relieving a joint between dissimilar metals having different stress relieving requirements, the material requiring the higher stress relieving temperature shall govern. Special considerations may be required for austenitic and other high alloys.

(c) The parts heated shall be brought slowly to the required temperature and held at that temperature for a period of time proportioned on the basis of at least 1 hr/in. (1 h/25 mm) of pipe nominal wall thickness, but in no case less than ½ hr, and shall be allowed to cool slowly and uniformly.

(d) *Records.* A suitable record of the stress relief cycles shall be provided for each weld stress relieved.

(e) *Temperature Control.* A group of closely spaced welds, such as three welds on a tee, can be controlled and recorded by a single thermocouple.

B826 WELD EXAMINATION REQUIREMENTS

(22)

B826.3 Examination for Quality Control of Welds on Sour Gas Piping Systems

In addition to [paras. 826.3\(a\)](#) through [826.3\(f\)](#), for sour gas lines in Class 3 or Class 4 Locations, compressor stations, major or navigable river crossings, railroad crossings, and road crossings, 100% of all field welds shall be checked by nondestructive examination. Nondestructive examination may be conducted before or after stress relieving.

B830 PIPING SYSTEM COMPONENTS AND FABRICATION DETAILS

In addition to [section 830](#), all components shall meet the requirements of NACE MR0175/ISO 15156 as appropriate.

B831 PIPING SYSTEM COMPONENTS

B831.1 Valves and Pressure-Reducing Devices

B831.1.3 Pressure-Reducing Devices

(a) Instruments, instrument tubing, controllers, gages, and other components that become a part of the pressure containment system shall meet NACE MR0175/ISO 15156 requirements.

(b) Most copper-based alloys suffer severe corrosion in sour service. Use of such alloys in any components shall be investigated for suitability.

B831.2 Flanges

B831.2.2 Bolting

(h) Bolting exposed to sour gas and denied access to air due to thermal insulation, flange protectors, or certain design features shall meet the requirements of NACE MR0175/ISO 15156 as appropriate. Designers should note that bolting meeting NACE MR0175/ISO 15156 requirements, such as type ASTM A193 grade B7M, have derated tensile properties, and the joint design shall be appropriate for such deration. Bolting opened to atmosphere may be conventional ASTM A193 grade B7 bolting.

B840 DESIGN, INSTALLATION, AND TESTING

This section concerns the design, installation, and testing of pipe in sour gas service.

B841 STEEL PIPE

B841.1 Steel Piping Systems Design Requirements

B841.1.2 Fracture Control and Arrest

(c) *Fracture Control.* Fracture control should be considered for sour gas service.

B841.1.6 Design Factors, F , and Location Classes.

When using [Table 841.1.6-1](#), design factor F of 0.80 shall not be used for sour gas service.

B841.2 Installation of Steel Pipelines and Mains**B841.2.3 Bends, Miters, and Elbows in Steel Pipelines**

(a) *Bends.* Bends used in sour gas pipe shall meet the requirements of NACE MR0175/ISO 15156 in the as-bent condition. Hot bends may be needed to meet NACE MR0175/ISO 15156 requirements. The first prototype bend may be needed for testing to ensure hardness requirements of NACE MR0175/ISO 15156 and that both toughness and tensile properties are still acceptable. Neither wrinkle bends nor miter bends are permitted for sour gas lines.

B841.2.4 Pipe Surfaces Requirements Applicable to Pipelines and Mains to Operate at a Hoop Stress of 20% or More of the Specified Minimum Yield Strength

(e) *Arc Burns.* Additionally, arc burns have been found to cause serious stress concentration in pipelines and in sour gas lines, and shall be prevented or eliminated in all lines.

Arc burns may be removed by grinding, chipping, or machining. The resulting cavity shall be thoroughly cleaned and checked for complete removal of damaged material by etching with a 10% solution of ammonium persulfate or a 5% solution of nitric acid in alcohol (nital). If removal of damaged material is complete, the cavity may be merged smoothly into the original contour of the pipe by grinding, provided the remaining wall thickness is within specified limits.

B841.2.6 Hot Taps. In addition to [Chapter IV, para. 841.2.6](#) of [Chapter IV](#), it should be noted that hot tapping of sour gas lines presents special health and metallurgical concerns and shall be done only to written operating company approved plans.

B841.2.7 Precautions to Avoid Explosions of Gas–Air Mixtures or Uncontrolled Fires During Construction Operations

(a) In addition to the precautions outlined in [Chapter IV, para. 841.2.7\(a\)](#) of [Chapter IV](#), it should be noted that welding and cutting on sour gas lines presents special health and metallurgical concerns and shall be done only to written operating company approved plans.

B841.3 Testing After Construction

B841.3.1 General Provisions. In addition to [Chapter IV, para. 841.3.1](#) of [Chapter IV](#), it should be noted that testing with sour gas presents special health and metallurgical concerns and shall be done only to written operating company approved plans.

B842 OTHER MATERIALS

Materials shall meet the requirements of NACE MR0175/ISO 15156 as applicable.

B842.2 Design of Plastic Piping**B842.2.2 Thermoplastic Design Limitations**

(f) The designer should consider extra protection from third party damage in all class locations and at all road crossings.

(g) New construction for sour gas applications shall use only ASTM D2513 polyethylene, ASTM F2945 polyamide, or ASTM F2817 PVC (maintenance or repair only) thermoplastic pipe.

B842.2.9 Plastic Pipe and Tubing Joints and Connections

(b) *Joint Requirements.* All joining procedures shall be qualified using destructive test specimens of full-scale plastic pipe joints. Polyethylene and polyamide pipe for sour gas service may be joined by butt fusion, socket fusion, and electrofusion methods, or mechanical fittings when recommended by the manufacturer as suitable for sour gas service.

(f) Mechanical Joints

(4) Steel to plastic transition fittings for sour gas service shall be factory made. Joints made from field-fabricated fittings are prohibited.

B842.4 Testing Plastic Piping After Construction**B842.4.2 Test Requirements**

(f) All plastic pipe installed for sour gas service shall be leak tested with air for 12 hr minimum at a pressure not less than 1.5 times the maximum allowable operating pressure or 50 psig (340 kPa), whichever is greater.

B843 COMPRESSOR STATIONS**B843.3 Compressor Station Equipment****B843.3.1 Gas Treating Facilities**

(c) *Metallic Materials.* All metallic materials in contact with pressurized sour gas shall meet the requirements of NACE MR0175/ISO 15156 as applicable.

Personal safety equipment should be considered for use at sour gas facilities. Use of appropriate hydrogen sulfide sensors capable of actuating station emergency shutdown systems should be considered.

B844 PIPE-TYPE AND BOTTLE-TYPE HOLDERS

Pipe- and bottle-type holders shall not be used for sour gas. Storage of sour gas is outside the scope of this Code.

B850 ADDITIONAL OPERATING AND MAINTENANCE CONSIDERATIONS AFFECTING THE SAFETY OF SOUR GAS PIPELINES

B850.1 General

(c) Radius of exposure (ROE) to H₂S calculations shall be made using a suitable air dispersion equation such as the Pasquill-Gifford equation given as follows:

(1) Each operator shall determine the hydrogen sulfide concentration in the gaseous mixture in the system. Suitable standards are GPA Plant Operations Test Manual, Section C, and GPA Standard 2265.

(2) *Radius of Exposure Equations*

(-a) Radius of exposure equation to the 100 ppm level of H₂S after dispersal:

$$X = [(1.589)MQ]^{0.6258}$$

(-b) Radius of exposure equation to the 500 ppm level of H₂S after dispersal:

$$X = [(0.4546)MQ]^{0.6258}$$

where

M = mol fraction of hydrogen sulfide in the gaseous mixture

Q = maximum volume determined to be available for escape in cubic feet per day corrected to 14.65 psia and 60°F

X = radius of exposure (ROE) in feet

(3) *Metric Equations for Radius of Exposure*

(-a) 100 ppm level of H₂S after dispersal:

$$X_m = [(8.404)MQ_m]^{0.6258}$$

(-b) 500 ppm level of H₂S after dispersal:

$$X_m = [(2.404)MQ_m]^{0.6258}$$

where

M = mol fraction of hydrogen sulfide in the gaseous mixture

Q_m = maximum volume determined to be available for escape in cubic meters per day corrected to 101 kPa and 15.6°C

X_m = radius of exposure (ROE) in meters

NOTE: The equations assume a 24 hr release. When a pipeline segment can be isolated in less than 24 hr, appropriate reductions in *Q* may be used.

(4) Examples of 100 ppm and 500 ppm ROE for various 24 hr releases and H₂S mol fractions are shown in [Tables B850.1-1](#) and [B850.1-2](#). Metric examples of 100 ppm and 500 ppm ROE for various 24 hr releases

and H₂S mol fractions are shown in [Tables B850.1-3](#) and [B850.1-4](#).

B850.4 Essential Features of the Emergency Plan

B850.4.2 Training Program. In addition to conventional training, all sour gas operation and maintenance line personnel shall be trained in

- (a) hazards and characteristics of H₂S
- (b) effect on metal components of the lines and equipment
- (c) safety precautions
- (d) operation of safety equipment and life support systems
- (e) corrective action and shutdown procedures

B851 PIPELINE MAINTENANCE

B851.7 Pipeline Markers

(d) In addition to each sign required in [Chapter V, para. 851.7\(c\)](#), for operations where the 100 ppm radius of exposure is greater than 50 ft (15 m), a “POISON GAS” sign shall be installed.

All surface facilities shall also be marked with “POISON GAS” signs.

B851.10 Sour Gas Pipeline Blowdown

When blowing down sour gas lines, consideration shall be given to the use of suitable permanent or temporary flare systems.

B854 LOCATION CLASS AND CHANGES IN NUMBER OF BUILDINGS INTENDED FOR HUMAN OCCUPANCY

B854.5 Concentrations of People in Location Classes 1 and 2

(c) *Security.* Unattended fixed surface facilities should be protected from public access when located within ¼ mile (400 m) of a residential, commercial, or other inhabited or occupied structure; bus stop; public park; or similarly populated area.

(1) The protection should be provided by fencing and locking or removal of valves and instrumentation and plugging of ports, or other similar means.

(2) Surface pipeline is not considered a fixed surface facility.

(d) Additional control and safety procedures or safety devices should be installed and maintained to prevent the undetected continuing release of hydrogen sulfide if any of the following conditions exist:

(1) The 100 ppm radius of exposure is in excess of 50 ft (15 m) and includes any part of a public area except a public road.

**Table B850.1-1
100 ppm ROE**

ROE, X , ft	Release, Q , MMSCFD (1,000,000)	H ₂ S Mol Fraction
1,165	1	0.05
3,191	5	0.05
4,924	10	0.05
7,597	20	0.05
9,792	30	0.05
1,798	1	0.1
4,924	5	0.1
7,597	10	0.1
11,723	20	0.1
15,109	30	0.1
2,775	1	0.2
7,597	5	0.2
11,723	10	0.2
18,090	20	0.2
23,315	30	0.2

**Table B850.1-3
Metric Example for 100 ppm ROE**

ROE, X_m , m	Release, Q_m , m ³ /day (1,000,000)	H ₂ S Mol Fraction
782	0.1	0.05
2,142	0.5	0.05
3,305	1	0.05
9,048	5	0.05
13,962	10	0.05
1,207	0.1	0.1
3,305	0.5	0.1
5,100	1	0.1
13,962	5	0.1
21,544	10	0.1
1,863	0.1	0.2
5,100	0.5	0.2
7,869	1	0.2
21,544	5	0.2
33,244	10	0.2

**Table B850.1-2
500 ppm ROE**

ROE, X , ft	Release, Q , MMSCFD (1,000,000)	H ₂ S Mol Fraction
533	1	0.05
1,458	5	0.05
2,250	10	0.05
3,472	20	0.05
4,474	30	0.05
822	1	0.1
2,250	5	0.1
3,472	10	0.1
5,357	20	0.1
6,904	30	0.1
1,268	1	0.2
3,472	5	0.2
5,357	10	0.2
8,266	20	0.2
10,654	30	0.2

**Table B850.1-4
Metric Example for 500 ppm ROE**

ROE, X_m , m	Release, Q_m , m ³ /day (1,000,000)	H ₂ S Mol Fraction
357	0.1	0.05
979	0.5	0.05
1,510	1	0.05
4,135	5	0.05
6,380	10	0.05
552	0.1	0.1
1,510	0.5	0.1
2,330	1	0.1
6,380	5	0.1
9,845	10	0.1
851	0.1	0.2
2,330	0.5	0.2
3,596	1	0.2
9,845	5	0.2
15,191	10	0.2

(2) The 500 ppm radius of exposure is greater than 50 ft (15 m) and includes any part of a public road.

(3) The 100 ppm radius of exposure is greater than 3,000 ft (915 m).

(e) *Contingency Plan.* Operations subject to (d) shall have a written contingency plan prepared and given to state and local emergency response authorities. Plans shall include maps, location of block valves, valve keys, and keys for locks.

B860 CORROSION CONTROL OF SOUR GAS PIPELINES

B860.1 Scope

This section contains the minimum additive or substitutive requirements for corrosion control of external and internal corrosion of sour gas piping and components. Where specific provisions are not set forth herein, the provisions of [Chapter VI, section 860](#) shall apply.

B860.4 Special Considerations

Due to the corrosivity of hydrogen sulfide and the frequent presence of carbon dioxide and salt water, which also are corrosive, special emphasis shall be given to internal corrosion mitigation and monitoring.

Also, due to the corrosive and hazardous nature of the sour gas, special consideration shall be given to the selection of the corrosion allowance.

B861 EXTERNAL CORROSION CONTROL FOR STEEL PIPELINES

B861.1 Buried/Submerged Installations

B861.1.2 Cathodic Protection Requirements. Unless it can be shown by tests or experience that cathodic protection is not needed, all buried or submerged facilities with insulating type coatings, except facilities installed for a limited service life, shall be cathodically protected as soon as feasible following installation, except that minor replacements or extensions shall be protected as covered by [para. 860.3](#).

A facility installed for a limited service life need not be cathodically protected if it can be shown that the facility will not experience corrosion that will cause it to be harmful to the public or environment. Cathodic protection systems shall be designed to protect the buried or submerged system in its entirety.

A facility is considered to be cathodically protected when it meets the applicable criteria established in NACE SP0169.

Use of cathodic protection is encouraged to protect buried sour gas facilities.

B864 INTERNAL CORROSION CONTROL

B864.1 General

Sour gas facilities shall be assumed to be internally corrosive unless proven by experience to be otherwise. Water dew point control frequently is used as a corrosion control method. Upset conditions or operational changes may make this control method ineffective. The use of inhibitors is also common.

B864.2 Design of New Installations

New installations should be designed with

(a) suitable dedicated fittings for corrosion inhibitor injection

(b) suitable dedicated fittings and valves to insert and retrieve corrosion measuring devices such as probes and coupons

B867 STRESS CORROSION AND OTHER PHENOMENA

Sour gas lines, particularly when combined with carbon dioxide and produced salt water, can suffer from several corrosion-related phenomena.

(a) *Hydrogen-Related Problems.* The corrosion reaction in the presence of the sulfide ion permits a high amount of liberated hydrogen atoms to enter the steel. The hydrogen causes many problems that have been given different names, including the following:

(1) Sulfide stress cracking (SSC) occurs when the alloys are too hard and/or too highly stressed in the presence of corrosion with sour gas. NACE MR0175/ISO 15156 outlines all of the acceptable materials combinations to resist this type of cracking.

(2) Hydrogen-induced cracking (HIC) occurs when hydrogen causes inclusions in the steel to delaminate. Multiple shear cracks then develop to link the delaminations creating a stair step crack system. Use of HIC resistant materials should be considered for sour gas service.

(3) Stress-oriented hydrogen-induced cracking (SOHIC) is another variant of HIC. SOHIC is HIC enhanced by high-tensile stress.

(4) Hydrogen blistering consists of hydrogen atoms diffusing inside the steel to delaminated areas and recombining to form molecules of hydrogen gas. The resulting pressure can create large blisters on either the inside or outside surfaces of the steel.

(b) Chloride stress corrosion cracking is caused by chlorides in the produced water. Austenitic stainless steels are particularly prone to this type of cracking. The sulfide ion has a synergistic effect with the chloride ion. The net result is the occurrence of cracking at lower temperatures and at lower chloride concentrations than normally expected. Except for small low-stressed parts

such as thermowells, use of alloys not resistant to chloride stress cracking above 140°F (60°C) is discouraged in wet sour gas systems.

(c) *Microbiologically Induced Corrosion (MIC)*. Microbiologic activity can create severe pitting-type corrosion and hydrogen-related cracking in sour gas lines. Use of appropriate biocides and monitoring may be needed.

MANDATORY APPENDIX A REFERENCES

(22)

These references may be immediately applied to materials purchased for use under this Code and shall be applied to all materials purchased at least 12 months after the date of issuance of the reference's latest edition, including addenda, if applicable. A component or pipe conforming to an earlier approved material specification edition purchased by the user before the date of issuance of a new edition or addenda may be used, provided the component or pipe is inspected and determined to be satisfactory for the service intended by the user.

Standards are incorporated in this Code by reference, and the names and addresses of the sponsoring organizations are shown in this Appendix. It is not practical to refer to a specific edition of each publication throughout the Code text; instead, the specific edition reference dates are shown herein. Reference shall be limited to the specific edition cited herein, except the user may use the latest published edition of ANSI approved standards unless specifically prohibited by this Code, and provided the user has reviewed the latest edition of the standard to ensure that the integrity of the pipeline system is not compromised. If a newer or amended edition of a standard is not ANSI approved, then the user shall use the specific edition reference date shown herein.

An asterisk (*) indicates that the specific edition of the standard has been accepted as an American National Standard by the American National Standards Institute (ANSI).

A-1 AGA

AGA Catalog No. XR0603 (October 2006), Plastic Pipe Manual for Gas Service

*ANSI Z223.1/NFPA 54 (2021), National Fuel Gas Code

*ANSI/GPTC Z380.1 (2018, including Addenda 1 through 6), Guide for Gas Transmission, Distribution, and Gathering Piping Systems

Gas Piping Technology Committee's Guide Material Appendix G-192-15, Design of Uncased Pipeline Crossings of Highways and Railroads (2009)

Publisher: American Gas Association (AGA), 400 North Capitol Street, NW, Washington, DC 20001 (www.aga.org)

A-2 API

*API Manual of Petroleum Measurement Standards (second edition, February 1, 2013), Chapter 21 — Flow Measurement Using Electronic Metering Systems, Section 1 — Electronic Gas Measurement

API RP 2A-WSD (22nd edition, November 2014, reaffirmed September 2020), Planning, Designing and Constructing Fixed Offshore Platforms — Working Stress Design

API RP 5L1 (seventh edition, September 2009, reaffirmed May 2015), Recommended Practice for Railroad Transportation of Line Pipe

API RP 5LT (first edition, March 2012, reaffirmed February 2019), Recommended Practice for Truck Transportation of Line Pipe

*API RP 5LW (third edition, September 2009, reaffirmed May 2015), Recommended Practice for Transportation of Line Pipe on Barges and Marine Vessels

API RP 14C (eighth edition, February 2017, including Errata through May 2018), Analysis, Design, Installation, and Testing of Safety Systems for Offshore Production Facilities

*API RP 14E (fifth edition, October 1991, reaffirmed September 2019), Recommended Practice for Design and Installation of Offshore Production Platform Piping Systems

API RP 14F (sixth edition, October 2018), Recommended Practice for Design, Installation, and Maintenance of Electrical Systems for Fixed and Floating Offshore Petroleum Facilities for Unclassified and Class I, Division 1 and Division 2 Locations

API RP 14J (second edition, May 2001, reaffirmed September 2019), Recommended Practice for Design and Hazards Analysis for Offshore Production Facilities

API RP 17B (fifth edition, May 2014, reaffirmed March 2021), Recommended Practice for Flexible Pipe

API RP 80 (second edition, March 2020), Definition of Onshore Gas Gathering Lines

API RP 1102 (seventh edition, December 2007, including Errata through March 2014, reaffirmed December 2017), Steel Pipelines Crossing Railroads and Highways

*API RP 1110 (sixth edition, February 2013, reaffirmed August 2018), Recommended Practice for the Pressure Testing of Steel Pipelines for the Transportation of Gas, Petroleum Gas, Hazardous Liquids, Highly Volatile Liquids, or Carbon Dioxide

API RP 1111 (fifth edition, September 2015, reaffirmed January 2021), Design, Construction, Operation, and Maintenance of Offshore Hydrocarbon Pipelines (Limit State Design)

API RP 1133 (second edition, December 2017), Managing Hydrotechnical Hazards for Pipelines Located Onshore or Within Coastal Zone Areas

API RP 1162 (second edition, December 2010, reaffirmed October 2015), Public Awareness Programs for Pipeline Operators

API RP 2003 (eighth edition, September 2015, reaffirmed March 2020), Protection Against Ignitions Arising Out of Static, Lightning, and Stray Currents

*API Spec 5L (46th edition, April 2018, including Errata through May 2018), Line Pipe

*API Spec 6A (21st edition, November 2018, including Errata and Addenda through June 2021), Specification for Wellhead and Tree Equipment

API Spec 6D (24th edition, August 2014, including Errata and Addenda through March 2017), Specification for Pipeline and Piping Valves

*API Spec 6DSS (third edition, July 2018, including Errata and Addenda through April 2019), Specification for Subsea Pipeline Valves

API Spec 15S (second edition, March 2016 including Errata and Addenda through October 2019), Spoolable Reinforced Plastic Line Pipe

*API Spec 17D/ISO 13628-4 (second edition, May 2011, including Errata and Addenda through July 2021), Design and Operation of Subsea Production Systems — Subsea Wellhead and Tree Equipment

API Spec 17J (fourth edition, May 2014, reaffirmed March 2021, including Errata and Addenda through October 2017), Specification for Unbonded Flexible Pipe

API Std 521 (seventh edition, June 2020), Pressure-relieving and Depressuring Systems

API Std 526 (seventh edition, September 2017, including Errata through September 2018), Flanged Steel Pressure-relief Valves

API Std 599 (eighth edition, March 2020), Metal Plug Valves — Flanged, Threaded, and Welding Ends

API Std 600 (14th edition, May 2021), Steel Gate Valves — Flanged and Butt-welding Ends, Bolted Bonnets

API Std 602 (tenth edition, May 2015 including Errata through September 2016), Gate, Globe, and Check Valves for Sizes DN 100 (NPS 4) and Smaller for the Petroleum and Natural Gas Industries

API Std 603 (ninth edition, September 2018), Corrosion-resistant, Bolted Bonnet Gate Valves — Flanged and Butt-welding Ends

API Std 608 (sixth edition, January 2020), Metal Ball Valves — Flanged, Threaded, and Welding Ends

API Std 1104 (22nd edition, July 2021), Welding of Pipelines and Related Facilities

Publisher: American Petroleum Institute (API), 200 Massachusetts Avenue, NW, Suite 1100 Washington, DC 20001-5571 (www.api.org)

A-3 ASME

*ASME B1.1-2019, Unified Inch Screw Threads (UN, UNR, and UNJ Thread Form)

*ASME B1.20.1-2013 (R2018), Pipe Threads, General Purpose (Inch)

*ASME B16.1-2020, Gray Iron Pipe Flanges and Flanged Fittings: Classes 25, 125, and 250

*ASME B16.5-2020, Pipe Flanges and Flanged Fittings: NPS ½ Through NPS 24, Metric/Inch Standard

*ASME B16.9-2018, Factory-Made Wrought Butt-welding Fittings

*ASME B16.11-2016 (including Errata through June 2017), Forged Fittings, Socket-Welding and Threaded

*ASME B16.20-2017, Metallic Gaskets for Pipe Flanges

*ASME B16.21-2016, Nonmetallic Flat Gaskets for Pipe Flanges

*ASME B16.24-2016, Cast Copper Alloy Pipe Flanges, Flanged Fittings, and Valves: Classes 150, 300, 600, 900, 1500, and 2500

*ASME B16.33-2012 (R2017), Manually Operated Metallic Gas Valves for Use in Gas Piping Systems up to 175 psi (Sizes NPS ½ Through NPS 2)

*ASME B16.34-2020, Valves — Flanged, Threaded, and Welding End

*ASME B16.38-2012 (R2017), Large Metallic Valves for Gas Distribution: Manually Operated, NPS 2½ (DN 65) to NPS 12 (DN 300), 125 psig (8.6 bar) Maximum

*ASME B16.40-2019, Manually Operated Thermoplastic Gas Shutoffs and Valves in Gas Distribution Systems

*ASME B16.42-2016, Ductile Iron Pipe Flanges and Flanged Fittings: Classes 150 and 300

*ASME B16.47-2020, Large Diameter Steel Flanges: NPS 26 Through NPS 60, Metric/Inch Standard

*ASME B16.49-2017, Factory-Made, Wrought Steel, Butt-welding Induction Bends for Transportation and Distribution Systems

*ASME B18.2.1-2012 (including Errata through July 2013), Square, Hex, Heavy Hex, and Askew Head Bolts and Hex, Heavy Hex, Hex Flange, Lobed Head, and Lag Screws (Inch Series)

*ASME B18.2.2-2015, Nuts for General Applications: Machine Screw Nuts, Hex, Square, Hex Flange, and Coupling Nuts (Inch Series)

*ASME B31G-2012 (R2017), Manual for Determining the Remaining Strength of Corroded Pipelines: Supplement to ASME B31 Code for Pressure Piping

*ASME B31J-2017, including Errata posted on 11/30/17, Stress Intensification Factors (*i*-Factors), Flexibility Factors (*k*-Factors), and Their Determination for Metallic Piping Components

*ASME B31Q-2021, Pipeline Personnel Qualification

*ASME B31.1-2020, Power Piping
 *ASME B31.3-2020, Process Piping
 *ASME B31.4-2019, Pipeline Transportation Systems for Liquids and Slurries
 *ASME B31.8S-2020, Managing System Integrity of Gas Pipelines
 *ASME B31.12-2019, Hydrogen Piping and Pipelines
 *ASME B36.10M-2018, Welded and Seamless Wrought Steel Pipe
 *ASME BPV Code: Section II, Materials; Section VIII, Rules for Construction of Pressure Vessels; Section IX, Qualification Standard for Welding, Brazing, and Fusing Procedures; Welders, Brazers; and Welding, Brazing, and Fusing Operators; and Section XIII, Rules for Overpressure Protection (2021)
 ASME NM.1-2020, Thermoplastic Piping Systems
 ASME Research Report, CRTD Vol. 43, "History of Line Pipe Manufacturing in North America," 1996 (ISBN-13:978-0791812334)
 ASME SI-1 (1982), ASME Orientation and Guide for Use of SI (Metric) Units
 *ASME PCC-1-2019, Guidelines for Pressure Boundary Bolted Flange Joint Assembly
 *ASME PCC-2-2018, Repair of Pressure Equipment and Piping
 IPC2002-27124, "Development of Acceptance Criteria for Mild Ripples in Pipeline Field Bends," Proceedings of IPC 2002, Fourth International Pipeline Conference, September 2002
 IPC2012-90308, "Pressure Test Planning to Prevent Internal Corrosion by Residual Fluids," Proceedings of IPC 2012, Ninth International Pipeline Conference, September 2012
 Publisher: The American Society of Mechanical Engineers (ASME), Two Park Avenue, New York, NY 10016-5990 (www.asme.org)

A-4 ASTM

ASTM A53/A53M-20, Standard Specification for Pipe, Steel, Black and Hot-Dipped, Zinc-Coated, Welded and Seamless
 ASTM A105/A105M-21, Standard Specification for Carbon Steel Forgings for Piping Applications
 ASTM A106/A106M-19a, Standard Specification for Seamless Carbon Steel Pipe for High-Temperature Service
 ASTM A134-19, Standard Specification for Pipe, Steel, Electric-Fusion (Arc)-Welded (Sizes NPS 16 and Over)
 ASTM A135/A135M-21, Standard Specification for Electric-Resistance-Welded Steel Pipe
 ASTM A139/A139M-16, Standard Specification for Electric-Fusion (Arc)-Welded Steel Pipe (Sizes NPS 4 and Over)

ASTM A193/A193M-20, Standard Specification for Alloy-Steel and Stainless Steel Bolting for High Temperature or High-Pressure Service and Other Special Purpose Applications
 ASTM A194/A194M-20a, Standard Specification for Carbon Steel, Alloy Steel, and Stainless Steel Nuts for Bolts for High Pressure or High Temperature Service, or Both
 ASTM A307-21, Standard Specification for Carbon Steel Bolts, Studs, and Threaded Rod 60 000 PSI Tensile Strength
 ASTM A320/A320M-21a, Standard Specification for Alloy-Steel and Stainless Steel Bolting for Low-Temperature Service
 ASTM A333/A333M-18, Standard Specification for Seamless and Welded Steel Pipe for Low-Temperature Service and Other Applications with Required Notch Toughness
 ASTM A354-17^{e2}, Standard Specification for Quenched and Tempered Alloy Steel Bolts, Studs, and Other Externally Threaded Fasteners
 ASTM A372/A372M-20^{e1}, Standard Specification for Carbon and Alloy Steel Forgings for Thin-Walled Pressure Vessels
 ASTM A381/A381M-18, Standard Specification for Metal-Arc-Welded Carbon or High-Strength Low-Alloy Steel Pipe for Use With High-Pressure Transmission Systems
 ASTM A395/A395M-99(R2018), Standard Specification for Ferritic Ductile Iron Pressure-Retaining Castings for Use at Elevated Temperatures
 ASTM A449-14(R2020), Standard Specification for Hex Cap Screws, Bolts and Studs, Steel, Heat Treated, 120/105/90 ksi Minimum Tensile Strength, General Use
 ASTM A671/A671M-20, Standard Specification for Electric-Fusion-Welded Steel Pipe for Atmospheric and Lower Temperatures
 ASTM A672/A672M-19, Standard Specification for Electric-Fusion-Welded Steel Pipe for High-Pressure Service at Moderate Temperatures
 ASTM A691/A691M-19, Standard Specification for Carbon and Alloy Steel Pipe, Electric-Fusion-Welded for High-Pressure Service at High Temperatures
 ASTM B88-20, Standard Specification for Seamless Copper Water Tube
 ASTM D696-16, Standard Test Method for Coefficient of Linear Thermal Expansion of Plastics Between -30°C and 30°C With a Vitreous Silica Dilatometer
 ASTM D1598-15a, Standard Test Method for Time-to-Failure of Plastic Pipe Under Constant Internal Pressure
 *ASTM D2513-20, Standard Specification for Polyethylene (PE) Gas Pressure Pipe, Tubing, and Fittings
 *ASTM D2517-18, Standard Specification for Reinforced Epoxy Resin Gas Pressure Pipe and Fittings

*ASTM D2837-21, Standard Test Method for Obtaining Hydrostatic Design Basis for Thermoplastic Pipe Materials or Pressure Design Basis for Thermoplastic Pipe Products

ASTM F1041-20, Standard Guide for Squeeze-Off of Polyolefin Gas Pressure Pipe and Tubing

*ASTM F1563-01(R2019), Standard Specification for Tools to Squeeze-Off Polyethylene (PE) Gas Pipe or Tubing

*ASTM F1802-15, Standard Test Method for Performance Testing of Excess Flow Valves

*ASTM F2138-12(R2017), Standard Specification for Excess Flow Valves for Natural Gas Service

*ASTM F2817-13(R2019), Standard Specification for Poly (Vinyl Chloride) (PVC) Gas Pressure Pipe and Fittings for Maintenance or Repair

ASTM F2945-18, Standard Specification for Polyamide 11 Gas Pressure Pipe, Tubing, and Fittings

Publisher: American Society for Testing and Materials (ASTM International), 100 Barr Harbor Drive, P.O. Box C700, West Conshohocken, PA 19428-2959 (www.astm.org)

A-5 AWS

*AWS A3.0M/A3.0:2020, Standard Welding Terms and Definitions, Including Terms for Adhesive Bonding, Brazing, Soldering, Thermal Cutting, and Thermal Spraying

*AWS D3.6M:2017, Underwater Welding Code

Publisher: American Welding Society (AWS), 8669 NW 36th Street, No. 130, Miami, FL 33166-6672 (www.aws.org)

A-6 AWWA

ANSI A21.14-1979, Ductile-Iron Fittings 3-Inch Through 24-Inch for Gas¹

ANSI A21.52-1991, Ductile-Iron Pipe, Centrifugally Cast, for Gas¹

*ANSI/AWWA C111/A21.11-17, Rubber-Gasket Joints for Ductile-Iron Pressure Pipe and Fittings

*ANSI/AWWA C150/A21.50-14, Thickness Design of Ductile-Iron Pipe

AWWA C101-2000, Thickness Design of Cast Iron¹

Publisher: American Water Works Association (AWWA), 6666 West Quincy Avenue, Denver, CO 80235 (www.awwa.org)

¹ This publication has been superseded, withdrawn, or is no longer in print.

A-7 AMPP

*ANSI/NACE MR0175/ISO 15156:2015, Petroleum and Natural Gas Industries — Materials for Use in H₂S-Containing Environments in Oil and Gas Production, Parts 1, 2, and 3

*ANSI/NACE SP0115-2015/ISO 15589-2:2012, Petroleum, Petrochemical and Natural Gas Industries — Cathodic Protection of Pipeline Transportation Systems — Part 2: Offshore Pipelines

NACE Corrosion Data Survey (1985)¹

NACE SP0169-2013, Control of External Corrosion on Underground or Submerged Metallic Piping Systems

NACE SP0177-2019, Mitigation of Alternating Current and Lightning Effects on Metallic Structures and Corrosion Control Systems

Publisher: Association for Materials Protection and Performance (AMPP) [formerly the National Association of Corrosion Engineers (NACE) and the Society for Protective Coatings (SSPC)], 15835 Park Ten Place, Houston, TX 77084-4906 (www.ampp.org)

A-8 CGA

Best Practices Guide (version 18.0, 2021)

Publisher: Common Ground Alliance (CGA), 908 King Street, Suite 330, Alexandria, VA 22314 (www.commongroundalliance.com)

A-9 EPRI

EPRI EL-3106 (1983) (also published as PRCI-AGA-L51418), Power Line-Induced AC Potential on Natural Gas Pipelines for Complex Rights-of-Way Configurations

Publisher: Electric Power Research Institute (EPRI), 3420 Hillview Avenue, Palo Alto, CA 94304 (www.epri.com)

A-10 GPA

GPA Plant Operations Test Manual, Section C, Test for Hydrogen Sulfide in LPG and Gases (Tutweiler Method)

GPA Standard 2265-68, Determination of Hydrogen Sulfide and Mercaptan Sulfur in Natural Gas (Cadmium Sulfate-Iodometric Titration Method)

Publisher: Gas Processors Association (GPA), 6526 East 60th Street, Tulsa, OK 74145 (www.gpaglobal.org)

A-11 GTI

GRI-00/0154 (2000), Design Guide for Polyethylene Gas Pipes Across Bridges

GRI-91/0284 (1991), Guidelines for Pipelines Crossing Highways¹

Publisher: Gas Technology Institute (GTI), 1700 South Mount Prospect Road, Des Plaines, IL 60018
(www.gastechnology.org)

A-12 IAPMO

Uniform Plumbing Code (UPC), 2021
Publisher: International Association of Plumbing and Mechanical Officials (IAPMO), 4755 E. Philadelphia St., Ontario, CA 91761 (www.iapmo.org)

A-13 ICC

International Plumbing Code (IPC), 2021
Publisher: International Code Council (ICC), 500 New Jersey Avenue, NW, 6th Floor, Washington, DC 20001 (www.iccsafe.org)

A-14 IEEE

*IEEE/ASTM SI 10-2016, including Errata through July 2017, American National Standard for Metric Practice
Publisher: Institute of Electrical and Electronics Engineers, Inc. (IEEE), 445 Hoes Lane, Piscataway, NJ 08854 (www.ieee.org)

A-15 MSS

MSS SP-6-2017, Standard Finishes for Contact Faces of Pipe Flanges and Connecting-End Flanges of Valves and Fittings
*MSS SP-25-2018, Standard Marking System for Valves, Fittings, Flanges, and Unions
*MSS SP-44-2019 Steel Pipeline Flanges
MSS SP-70-2011, Gray Iron Gate Valves, Flanged and Threaded Ends
MSS SP-71-2018, Gray Iron Swing Check Valves, Flanged and Threaded Ends
MSS SP-75-2019, High-Strength, Wrought, Butt-Welding Fittings
MSS SP-78-2011, Gray Iron Plug Valves, Flanged and Threaded Ends
MSS SP-80-2019, Bronze Gate, Globe, Angle and Check Valves
MSS SP-85-2011, Gray Iron Globe and Angle Valves, Flanged and Threaded Ends
MSS SP-97-2019, Integrally Reinforced Forged Branch Outlet Fittings – Socket Welding, Threaded and Butt-welding Ends
MSS SP-115-2017, Excess Flow Valves, 1 1/4 NPS and Smaller, for Natural Gas Service
Publisher: Manufacturers Standardization Society of the Valve and Fittings Industry, Inc. (MSS), 127 Park Street, NE, Vienna, VA 22180 (www.msshq.org)

A-16 NFPA

*NFPA 10-2018, Standard for Portable Fire Extinguishers
*NFPA 30-2018, Flammable and Combustible Liquids Code
*NFPA 58-2020, Liquefied Petroleum Gas Code
*NFPA 59-2018, Utility LP-Gas Plant Code
*NFPA 59A-2019, Standard for the Production, Storage, and Handling of Liquefied Natural Gas (LNG)
*NFPA 70-2020, National Electrical Code
*NFPA 220-2018, Standard on Types of Building Construction
Publisher: National Fire Protection Association (NFPA), 1 Batterymarch Park, Quincy, MA 02169-7471 (www.nfpa.org)

A-17 PPI

Handbook of Polyethylene Pipe, second edition, November 2007 (including Errata Sheets, through March 15, 2021)
TR-3/2021, Policies and Procedures for Developing Hydrostatic Design Basis (HDB), Hydrostatic Design Stresses (HDS) Pressure Design Basis (PDB), Strength Design Basis (SDB), Minimum Required Strength (MRS) Ratings, and Categorized Required Strength (CRS) for Thermoplastic Piping Materials or Pipe
TR-4/2021, PPI HSB Listing of Hydrostatic Design Basis (HDB), Hydrostatic Design Stress (HDS), Strength Design Basis (SDB), Pressure Design Basis (PDB) and Minimum Required Strength (MRS) Ratings For Thermoplastic Piping Materials or Pipe
TR-33/2012, Generic Butt Fusion Joining Procedure for Polyethylene Gas Pipe
TR-41/2018, Generic Saddle Fusion Joining Procedure for Polyethylene Gas Piping
TR-45/2016, Butt Fusion Joining Procedure for Field Joining of Polyamide-11 (PA-11) Pipe
Publisher: Plastics Pipe Institute (PPI), 105 Decker Court, Suite 825, Irving, TX 75062 (www.plasticpipe.org)

A-18 PRCI

PRCI PR-185-9734 (PRCI Catalog L51782), Guidelines for Weld Deposition Repair on Pipelines (1998)
PRCI PR-186-0324 (PRCI Catalog L52047), Updated Pipeline Repair Manual (2006)
PRCI PR-218-05404 (PRCI Catalog L52314), Pipeline Defect Assessment — A Review and Comparison of Commonly Used Methods (2010)
PRCI PR-218-9307 (PRCI Catalog L51716), Pipeline Repair Manual (1994)
Publisher: Pipeline Research Council International (PRCI), 15059 Conference Center Drive, Suite 130, Chantilly, VA 20151 (www.prci.org)

**MANDATORY APPENDIX B
NUMBERS AND SUBJECTS OF STANDARDS AND SPECIFICATIONS
THAT APPEAR IN MANDATORY APPENDIX A**

The information in this Appendix has been incorporated into [Mandatory Appendix A](#).

(22)

NONMANDATORY APPENDIX C PUBLICATIONS THAT DO NOT APPEAR IN THE CODE OR MANDATORY APPENDIX A

NOTE: An asterisk (*) indicates standards that have been accepted as American National Standards by the American National Standards Institute (ANSI).

C-1 AGA

AGA Catalog XL1001 (December 2010, including Errata 1 and 2), Classification of Locations for Electrical Installations in Gas Utility Areas

Directional Drilling Damage Prevention Guidelines for the Natural Gas Industry (December 2004)

Publisher: American Gas Association (AGA), 400 North Capitol Street, NW, Washington, DC 20001
(www.aga.org)

C-2 API

API RP 2A-LRFD (second edition, August 2019), Planning, Designing, and Constructing Fixed Offshore Platforms — Load and Resistance Factor Design

*API RP 500 (third edition, December 2012, reaffirmed July 2021, including Errata through January 2014), Recommended Practices for Classification of Locations for Electrical Installations at Petroleum Facilities Classified as Class I, Division 1 and Division 2

API Spec 5B (16th edition, including Errata and Addenda through January 2021), Threading, Gauging, and Inspection of Casing, Tubing, and Line Pipe Threads

Publisher: American Petroleum Institute (API), 200 Massachusetts Avenue, NW, Suite 1100, Washington, DC 20001-5571 (www.api.org)

C-3 ASCE

ASCE Manuals and Reports on Engineering Practices No. 89 — Pipeline Crossings Handbook (June 1996)

Publisher: American Society of Civil Engineers (ASCE), 1801 Alexander Bell Drive, Reston, VA 20191
(www.asce.org)

C-4 ASME

*ASME B1.20.3-1976 (R2018), Dryseal Pipe Threads (Inch)

*ASME B16.3-2016, Malleable Iron Threaded Fittings: Classes 150 and 300

*ASME B16.4-2016, Gray Iron Threaded Fittings: Classes 125 and 250

*ASME B16.14-2018, Ferrous Pipe Plugs, Bushings, and Locknuts With Pipe Threads

*ASME B16.15-2018, Cast Copper Alloy Threaded Fittings: Classes 125 and 250

*ASME B16.18-2018, Cast Copper Alloy Solder Joint Pressure Fittings

*ASME B16.22-2018, Wrought Copper and Copper Alloy Solder-Joint Pressure Fittings

*ASME B16.25-2017, Buttwelding Ends

Publisher: The American Society of Mechanical Engineers (ASME), Two Park Avenue, New York, NY 10016-5990
(www.asme.org)

C-5 ASTM

ASTM A6/A6M-19, Standard Specification for General Requirements for Rolled Structural Steel Bars, Plates, Shapes, and Sheet Piling

ASTM A20/A20M-20, Standard Specification for General Requirements for Steel Plates for Pressure Vessels

ASTM A29/A29M-20, Standard Specification for General Requirements for Steel Bars, Carbon and Alloy, Hot-Wrought

ASTM A36/A36M-19, Standard Specification for Carbon Structural Steel

ASTM A47/A47M-99(R2018)^{ε1}, Standard Specification for Ferritic Malleable Iron Castings

ASTM A48/A48M-03(R2016), Standard Specification for Gray Iron Castings

ASTM A125-96(R2018), Standard Specification for Steel Springs, Helical, Heat-Treated

ASTM A126-04(R2019), Standard Specification for Gray Iron Castings for Valves, Flanges, and Pipe Fittings

ASTM A181/A181M-14(R2020), Standard Specification for Carbon Steel Forgings, for General-Purpose Piping

- ASTM A182/A182M-21, Standard Specification for Forged or Rolled Alloy and Stainless-Steel Pipe Flanges, Forged Fittings, and Valves and Parts for High-Temperature Service
- ASTM A197/A197M-00(R2019), Standard Specification for Cupola Malleable Iron
- ASTM A211-75(R1985), Standard Specification for Spiral-Welded Steel or Iron Pipe¹
- ASTM A216/A216M-18, Standard Specification for Steel Castings, Carbon, Suitable for Fusion Welding, for High-Temperature Service
- ASTM A217/A217M-20, Standard Specification for Steel Castings, Martensitic Stainless and Alloy, for Pressure-Containing Parts, Suitable for High-Temperature Service
- ASTM A225/A225M-17, Standard Specification for Pressure Vessel Plates, Alloy Steel, Manganese-Vanadium-Nickel
- ASTM A234/A234M-19, Standard Specification for Piping Fittings of Wrought Carbon Steel and Alloy Steel for Moderate and High-Temperature Service
- ASTM A242/A242M-13(R2018), Standard Specification for High-Strength Low-Alloy Structural Steel
- ASTM A283/A283M-18, Standard Specification for Low and Intermediate Tensile Strength Carbon Steel Plates
- ASTM A285/A285M-17, Standard Specification for Pressure Vessel Plates, Carbon Steel, Low- and Intermediate-Tensile Strength
- ASTM A350/A350M-18, Standard Specification for Carbon and Low-Alloy Steel Forgings, Requiring Notch Toughness Testing for Piping Components
- ASTM A377-18, Standard Index of Specifications for Ductile-Iron Pressure Pipe
- ASTM A420/A420M-20, Standard Specification for Piping Fittings of Wrought Carbon Steel and Alloy Steel for Low-Temperature Service
- ASTM A487/A487M-21, Standard Specification for Steel Castings Suitable for Pressure Service
- ASTM A502-03(R2015), Standard Specification for Rivets, Steel, Structural
- ASTM A515/A515M-17, Standard Specification for Pressure Vessel Plates, Carbon Steel, for Intermediate- and Higher-Temperature Service
- ASTM A516/A516M-17, Standard Specification for Pressure Vessel Plates, Carbon Steel, for Moderate- and Lower-Temperature Service
- ASTM A575-20, Standard Specification for Steel Bars, Carbon, Merchant Quality, M-Grades
- ASTM A576-17, Standard Specification for Steel Bars, Carbon, Hot-Wrought, Special Quality
- ASTM A694/A694M-16, Standard Specification for Carbon and Alloy Steel Forgings for Pipe Flanges, Fittings, Valves, and Parts for High-Pressure Transmission Service
- ASTM A984/A984M-03(R2009), Standard Specification for Steel Line Pipe, Black, Plain-End, Electric-Resistance-Welded¹
- ASTM A1005/A1005M-00(R2010), Standard Specification for Steel Line Pipe, Black, Plain-End, Longitudinal and Helical Seam, Double Submerged-Arc Welded¹
- ASTM A1006/A1006M-00(R2010), Standard Specification for Steel Line Pipe, Black, Plain-End, Laser Beam Welded¹
- ASTM B21/B21M-20, Standard Specification for Naval Brass Rod, Bar, and Shapes
- ASTM B42-20, Standard Specification for Seamless Copper Pipe, Standard Sizes
- ASTM B43-20, Standard Specification for Seamless Red Brass Pipe, Standard Sizes
- ASTM B61-15, Standard Specification for Steam or Valve Bronze Castings
- ASTM B62-17, Standard Specification for Composition Bronze or Ounce Metal Castings
- ASTM B68/B68M-19, Standard Specification for Seamless Copper Tube, Bright Annealed
- ASTM B75/B75M-20, Standard Specification for Seamless Copper Tube
- ASTM B249/B249M-20, Standard Specification for General Requirements for Wrought Copper and Copper-Alloy Rod, Bar, Shapes, and Forgings
- ASTM B251/B251M-17, Standard Specification for General Requirements for Wrought Seamless Copper and Copper-Alloy Tube
- ASTM B584-14, Standard Specification for Copper Alloy Sand Castings for General Applications
- Publisher: American Society for Testing and Materials (ASTM International), 100 Barr Harbor Drive, P.O. Box C700, West Conshohocken, PA 19428-2959 (www.astm.org)

C-6 AWWA

- *AWWA C207-18, Steel Pipe Flanges for Waterworks Service — Sizes 4 in. Through 144 in. (100 mm Through 3,600 mm)
- Publisher: American Water Works Association (AWWA), 6666 West Quincy Avenue, Denver, CO 80235 (www.awwa.org)

C-7 GTI

- GRI-00/0192.01 (2001), GRI Guide for Locating and Using Pipeline Industry Research. Section 1: Fracture Propagation and Arrest
- GRI-00/0192.02 (2001), GRI Guide for Locating and Using Pipeline Industry Research. Section 2: Defect Assessment

¹ This publication has been superseded, withdrawn, or is no longer in print.

GRI-00/0192.03 (2001), GRI Guide for Locating and Using Pipeline Industry Research. Section 3: Identifying Types of Defects and Causes of Pipeline Failures

GRI-00/0192.04 (2001), GRI Guide for Locating and Using Pipeline Industry Research. Section 4: Hydrostatic Testing

GRI-00/0192.05 (2001), GRI Guide for Locating and Using Pipeline Industry Research. Section 5: Line Pipe

GRI-00/0192.06 (2001), GRI Guide for Locating and Using Pipeline Industry Research. Section 6: Welding

GRI-00/0192.07 (2001), GRI Guide for Locating and Using Pipeline Industry Research. Section 7: Fittings and Components

GRI-00/0192.08 (2001), GRI Guide for Locating and Using Pipeline Industry Research. Section 8: Pipeline Repair Methods

GRI-00/0192.09 (2001), GRI Guide for Locating and Using Pipeline Industry Research. Section 9: Mechanical Damage

GRI-00/0192.10 (2001), GRI Guide for Locating and Using Pipeline Industry Research. Section 10: Corrosion

GRI-00/0192.11 (2001), GRI Guide for Locating and Using Pipeline Industry Research. Section 11: Stress Corrosion Cracking

GRI-00/0192.12 (2001), GRI Guide for Locating and Using Pipeline Industry Research. Section 12: Industry Statistics

GRI-00/0192.13 (2001), GRI Guide for Locating and Using Pipeline Industry Research. Section 13: Offshore Pipelines

GRI-00/0192.14 (2001), GRI Guide for Locating and Using Pipeline Industry Research. Section 14: In-Line Inspection

GRI-00/0192.15 (2001), GRI Guide for Locating and Using Pipeline Industry Research. Section 15: Special Situations

GRI-00/0192.16 (2001), GRI Guide for Locating and Using Pipeline Industry Research. Section 16: Risk Assessment

GRI-00/0192.17 (2001), GRI Guide for Locating and Using Pipeline Industry Research. Section 17: Geographical Information Systems

GRI-96/0368 (1996), Guidelines for the Application of Guided Horizontal Drilling to Install Gas Distribution Pipe
 Publisher: Gas Technology Institute (GTI), 1700 South Mount Prospect Road, Des Plaines, IL 60018
 (www.gastechnology.org)

C-8 MSS

*MSS SP-55-2011, Quality Standard for Steel Castings for Valves, Flanges, Fittings, and Other Piping Components — Visual Method for Evaluation of Surface Irregularities
 MSS SP-61-2019, Pressure Testing of Valves
 Publisher: Manufacturers Standardization Society of the Valve and Fittings Industry, Inc. (MSS), 127 Park Street, NE, Vienna, VA 22180 (www.msshq.org)

C-9 OTHER PUBLICATIONS

ANSI Z17.1-1973, American National Standard for Preferred Numbers¹
 Publisher: American National Standards Institute (ANSI), 25 West 43rd Street, New York, NY 10036 (www.ansi.org)

NASTT's Horizontal Directional Drilling (HDD) — Good Practices Guidelines (fourth edition, 2017)
 Publisher: North American Society for Trenchless Technology (NASTT), 14500 Lorain Avenue, Cleveland, OH 44111 (www.nastt.org)

Integrity Characteristics of Vintage Pipelines (2005)
 Publisher: The Interstate Natural Gas Association of America (INGAA), 25 Massachusetts Avenue, NW, Suite 500N, Washington, DC 20001 (www.ingaa.org)

PRCI PR-227-03110 (PRCI Catalog L52290), Installation of Pipelines Using Horizontal Directional Drilling — An Engineering Design Guide (2008)
 Publisher: Pipeline Research Council International (PRCI), 15059 Conference Center Drive, Suite 130, Chantilly, VA 20151 (www.prci.org)

**MANDATORY APPENDIX D
SPECIFIED MINIMUM YIELD STRENGTH FOR STEEL PIPE
COMMONLY USED IN PIPING SYSTEMS¹**

See [Tables D-1](#) and [D-2](#) on the following pages.

¹See [para. 841.1](#).

Table D-1
Specified Minimum Yield Strength for Steel Pipe Commonly Used in Piping Systems

Spec. No.	Grade	Type [Note (1)]	SMYS, psi (MPa)
API Spec 5L [Note (2)]	A25	LFW, HFW, SMLS, CW	25,400 (175)
API Spec 5L [Note (2)]	A	LFW, HFW, SMLS, SAWL, SAWH, COWL, COWH	30,500 (210)
API Spec 5L [Note (2)]	B	LFW, HFW, SMLS, SAWL, SAWH, COWL, COWH	35,500 (245)
API Spec 5L [Note (2)]	X42	LFW, HFW, SMLS, SAWL, SAWH, COWL, COWH	42,100 (290)
API Spec 5L [Note (2)]	X46	LFW, HFW, SMLS, SAWL, SAWH, COWL, COWH	46,400 (320)
API Spec 5L [Note (2)]	X52	LFW, HFW, SMLS, SAWL, SAWH, COWL, COWH	52,200 (360)
API Spec 5L [Note (2)]	X56	LFW, HFW, SMLS, SAWL, SAWH, COWL, COWH	56,600 (390)
API Spec 5L [Note (2)]	X60	LFW, HFW, SMLS, SAWL, SAWH, COWL, COWH	60,200 (415)
API Spec 5L [Note (2)]	X65	LFW, HFW, SMLS, SAWL, SAWH, COWL, COWH	65,300 (450)
API Spec 5L [Note (2)]	X70	LFW, HFW, SMLS, SAWL, SAWH, COWL, COWH	70,300 (485)
API Spec 5L [Note (2)]	X80	LFW, HFW, SMLS, SAWL, SAWH, COWL, COWH	80,500 (555)
ASTM A53	A	E, S, F	30,000 (205)
ASTM A53	B	E, S	35,000 (240)
ASTM A106	A	SMLS	30,000 (205)
ASTM A106	B	SMLS	35,000 (240)
ASTM A106	C	SMLS	40,000 (275)
ASTM A134	...	EFW	[Note (3)]
ASTM A135	A	EW	30,000 (205)
ASTM A135	B	EW	35,000 (240)
ASTM A139	A	EFW	30,000 (205)
ASTM A139	B	EFW	35,000 (240)
ASTM A139	C	EFW	42,000 (290)
ASTM A139	D	EFW	46,000 (315)
ASTM A139	E	EFW	52,000 (360)
ASTM A333	1	SMLS, EW	30,000 (205)
ASTM A333	3	SMLS, EW	35,000 (240)
ASTM A333	4	SMLS	35,000 (240)
ASTM A333	6	SMLS, EW	35,000 (240)
ASTM A333	7	SMLS, EW	35,000 (240)
ASTM A333	8	SMLS, EW	75,000 (515)
ASTM A333	9	SMLS, EW	46,000 (315)
ASTM A333	10	SMLS, EW	65,000 (450)
ASTM A333	11	SMLS, EW	35,000 (240)
ASTM A381	Class Y-35	SAW	35,000 (240)
ASTM A381	Class Y-42	SAW	42,000 (290)
ASTM A381	Class Y-46	SAW	46,000 (316)
ASTM A381	Class Y-48	SAW	48,000 (330)
ASTM A381	Class Y-50	SAW	50,000 (345)
ASTM A381	Class Y-52	SAW	52,000 (360)
ASTM A381	Class Y-56	SAW	56,000 (385)
ASTM A381	Class Y-60	SAW	60,000 (415)
ASTM A381	Class Y-65	SAW	65,000 (450)
ASTM A381	Class Y-70	SAW	70,000 (485)
ASTM A381	Class Y-80	SAW	80,000 (550)
ASTM A671	...	EFW	[Note (3)]

Table D-1
Specified Minimum Yield Strength for Steel Pipe Commonly Used in Piping Systems (Cont'd)

Spec. No.	Grade	Type [Note (1)]	SMYS, psi (MPa)
ASTM A672	...	EFW	[Note (3)]
ASTM A691	...	EFW	[Note (3)]

GENERAL NOTE: This Table is not complete. For the minimum specified yield strength of other grades and grades in other approved specifications, refer to the particular specification.

NOTES:

- (1) Abbreviations: SAW = submerged-arc welded; SAWL = SAW with straight seam; SAWH = SAW with helical seam; EFW = electric-fusion welded; EW or E = electric-resistance welded; LFW = EW welded with low frequency; HFW = EW welded with high frequency; S or SMLS = seamless; CW or F = furnace butt-welded, continuous weld; COW = combination welded; COWL = COW with straight seam; COWH = COW with helical seam.
- (2) Intermediate grades are available in API Spec 5L.
- (3) See applicable plate specification for SMYS.

Table D-2
HDB Values for Thermoplastic Materials

Plastic Pipe Material Designation (D2513 for PE and F2945 for PA-11)	HDB at 73°F (23°C), psi (MPa)
PA 32312 (PA-11)	2,500 (17.2)
PA 32316 (PA-11)	3,150 (21.7)
PB 2110	2,000 (13.8)
PE 2406	1,250 (8.6)
PE 3408	1,600 (11.0)
PE 2606	1,250 (8.6)
PE 2706	1,250 (8.6)
PE 2708	1,250 (8.6)
PE 3608	1,600 (11.0)
PE 3708	1,600 (11.0)
PE 3710	1,600 (11.0)
PE 4708	1,600 (11.0)
PE 4710	1,600 (11.0)
PVC 1120	4,000 (27.6)
PVC 1220	4,000 (27.6)
PVC 2110	2,000 (13.8)
PVC 2116	3,150 (21.7)

GENERAL NOTES:

- (a) *Long-Term Hydrostatic Strength Values for Thermoplastic Pipes Covered by ASTM D2513.* The values apply only to materials and pipes meeting all the requirements of the basic materials and ASTM D2513. They are based on engineering test data obtained in accordance with ASTM D1598 and analyzed in accordance with ASTM D2837. A list of commercial compounds meeting these requirements is published yearly by the Plastics Pipe Institute.
- (b) *HDB Value for Reinforced Thermosetting Pipes Covered by ASTM D2517.* The value is established in accordance with ASTM D2517. In the absence of an established HDB, the value is 11,000 psi (75.8 MPa).

MANDATORY APPENDIX E FLEXIBILITY AND STRESS INTENSIFICATION FACTORS

[Table E-1](#) begins on the following page.

Table E-1
Flexibility Factor, k , and Stress Intensification Factor, i

(22)

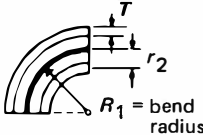
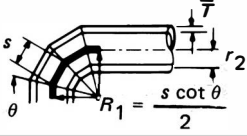
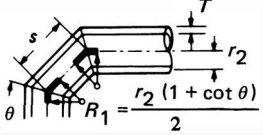
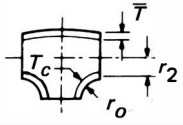
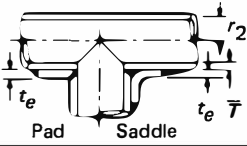
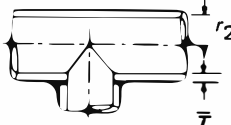
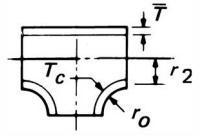
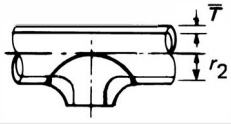
Description	Flexibility Factor, k	Stress Intensification Factor, i [Notes (1), (2)]		Flexibility Characteristic, h	Illustration
		Out-Plane, i_o	In-Plane, i_i		
Welding elbow or pipe bend [Notes (1)-(5)]	$\frac{1.65}{h}$	$\frac{0.75}{h^{2/3}}$	$\frac{0.9}{h^{2/3}}$	$\frac{\bar{T} R_1}{r_2^2}$	
Closely spaced miter bend $s < r_2 (1 + \tan \theta)$ [Notes (1), (2), (3), (5)]	$\frac{1.52}{h^{5/6}}$	$\frac{0.9}{h^{2/3}}$	$\frac{0.9}{h^{2/3}}$	$\frac{\cot \theta \bar{T} s}{2 r_2^2}$	
Single miter bend or widely spaced miter bend $s \geq r_2 (1 + \tan \theta)$ [Notes (1), (2), (5)]	$\frac{1.52}{h^{5/6}}$	$\frac{0.9}{h^{2/3}}$	$\frac{0.9}{h^{2/3}}$	$\frac{1 + \cot \theta \bar{T}}{2 r_2}$	
Welding tee per ASME B16.9 with $r_o \geq d/8$ $T_c \geq 1.5\bar{T}$ [Notes (1), (2), (6)]	1	$\frac{0.9}{h^{2/3}}$	$\frac{3}{4} i_o + \frac{1}{4}$	$4.4 \frac{\bar{T}}{r_2}$	
Reinforced fabricated tee with pad or saddle [Notes (1), (2), (7)-(9)]	1	$\frac{0.9}{h^{2/3}}$	$\frac{3}{4} i_o + \frac{1}{4}$	$\frac{(\bar{T} + \frac{1}{2} t_e)^{5/2}}{\bar{T}^{3/2} r_2}$	
Unreinforced fabricated tee [Notes (1), (2), (9)]	1	$\frac{0.9}{h^{2/3}}$	$\frac{3}{4} i_o + \frac{1}{4}$	$\frac{\bar{T}}{r_2}$	
Extruded outlet $r_o \geq 0.05d$ $T_c < 1.5\bar{T}$ [Notes (1), (2), (6)]	1	$\frac{0.9}{h^{2/3}}$	$\frac{3}{4} i_o + \frac{1}{4}$	$\left(1 + \frac{r_o}{r_2}\right) \frac{\bar{T}}{r_2}$	
Welded-in contour insert $r_o \geq d/8$ $T_c \geq 1.5\bar{T}$ [Notes (1), (2), (10)]	1	$\frac{0.9}{h^{2/3}}$	$\frac{3}{4} i_o + \frac{1}{4}$	$4.4 \frac{\bar{T}}{r_2}$	

Table E-1
Flexibility Factor, k , and Stress Intensification Factor, i (Cont'd)

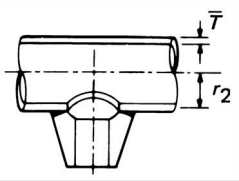
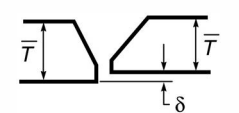

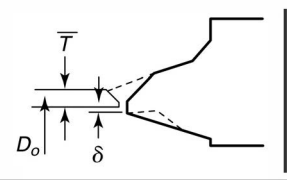
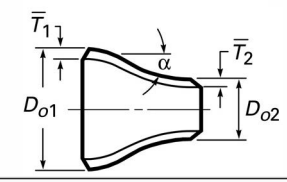
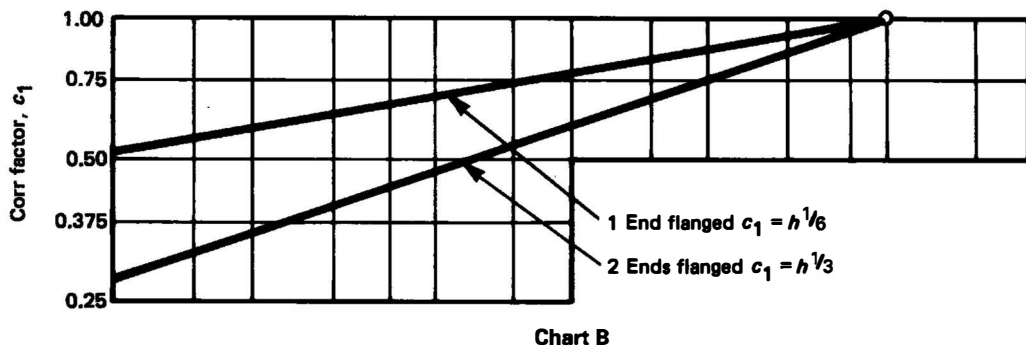
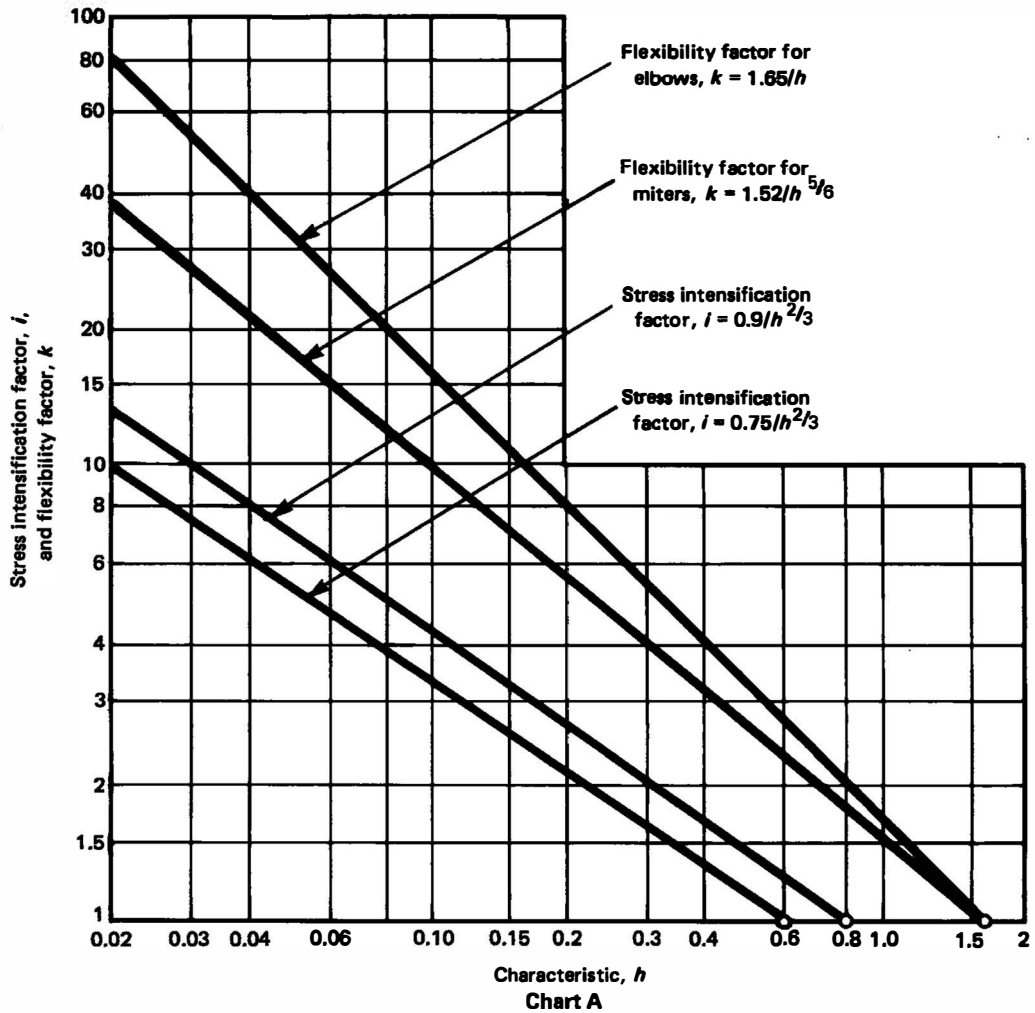
Description	Flexibility Factor, k	Stress Intensification Factor, i [Notes (1), (2)]		Flexibility Characteristic, h	Illustration
		Out-Plane, i_o	In-Plane, i_i		
Branch welded-on fitting (integrally reinforced) in accordance with MSS SP-97 [Notes (1), (2), (9), (11)]	1	$\frac{0.9}{h^{2/3}}$	$\frac{0.9}{h^{2/3}}$	$3.3 \frac{\bar{T}}{r_2}$	
Description	Flexibility Factor, k	Stress Intensification Factor, i		Illustration	
Butt weld [Notes (1), (12)]					
$\bar{T} \geq 0.237$ in. (6.02 mm), $\delta_{\max} \leq 1/16$ in. (1.59 mm), and $\delta_{\text{avg}}/\bar{T} \leq 0.13$	1	1.0			
$\bar{T} \geq 0.237$ in. (6.02 mm), $\delta_{\max} \leq 1/8$ in. (3.18 mm), and $\delta_{\text{avg}}/\bar{T} = \text{any value}$	1	1.9 max. or $[0.9 + 2.7(\delta_{\text{avg}}/\bar{T})]$, but not less than 1.0			
$\bar{T} \leq 0.237$ in. (6.02 mm), $\delta_{\max} \leq 1/16$ in. (1.59 mm), and $\delta_{\text{avg}}/\bar{T} \leq 0.33$	1	1.9 max. or $1.3 + 0.0036 \frac{D_o}{\bar{T}} + 3.6 \frac{\delta}{\bar{T}}$			
Tapered transition per ASME B16.25 [Note (1)]					
Concentric reducer per ASME B16.9 [Notes (1), (13)]	1	2.0 max. or $0.5 + 0.01\alpha \left(\frac{D_{o2}}{\bar{T}_2} \right)^{1/2}$			
Double-welded slip-on flange [Note (14)]	1	1.2			
Socket welding flange or fitting [Notes (14), (15)]	1	2.1 max. or $2.1 \bar{T}/C_x$ but not less than 1.3			
Lap joint flange (with vASME B16.9 lap joint stub) [Note (14)]	1	1.6			
Threaded pipe joint or threaded flange [Note (14)]	1	2.3			
Corrugated straight pipe, or corrugated or creased bend [Note (16)]	5	2.5			

Table E-1
Flexibility Factor, k , and Stress Intensification Factor, i (Cont'd)



GENERAL NOTE: The stress intensification and flexibility factors from ASME B31J may be used instead of the stress intensification and flexibility factors herein. When using the stress intensification factors from ASME B31J, the maximum of in-plane (i_i) and out-plane (i_o) stress intensification factors shall be used in calculating stresses in accordance with [para. 833.2](#) or [para. A842.2.2](#). Alternatively, stress intensification factors and branch connection flexibility factors may be developed using ASME B31J, Nonmandatory Appendix A.

Table E-1
Flexibility Factor, k , and Stress Intensification Factor, i (Cont'd)

NOTES:

- (1) The nomenclature is as follows:

D_o = outside diameter, in. (mm)
 d = outside diameter of branch, in. (mm)
 R_1 = bend radius of welding elbow or pipe bend, in. (mm)
 r_o = radius of curvature of external contoured portion of outlet, measured in the plane containing the axes of the header and branch, in. (mm)
 r_2 = mean radius of matching pipe, in. (mm)
 s = miter spacing at centerline, in. (mm)
 \bar{T} = nominal wall thickness of piping component, in. (mm)
 = for elbows and miter bends, the nominal wall thickness of the fitting, in. (mm)
 = for welding tees, the nominal wall thickness of the matching pipe, in. (mm)
 = for fabricated tees, the nominal wall thickness of the run or header (provided that if thickness is greater than that of matching pipe, increased thickness must be maintained for at least one run outside diameter to each side of the branch outside diameter), in. (mm)
 T_c = the crotch thickness of tees, in. (mm)
 t_e = pad or saddle thickness, in. (mm)
 α = reducer cone angle, deg
 δ = mismatch, in. (mm)
 θ = one-half angle between adjacent miter axes, deg

- (2) The flexibility factor, k , applies to bending in any plane. The flexibility factors, k , and stress intensification factors, i , shall not be less than unity; factors for torsion equal unity. Both factors apply over the effective arc length (shown by heavy centerlines in the illustrations) for curved and miter bends and to the intersection point for tees. The values of k and i can be read directly from Chart A by entering with the characteristic, h , computed from the formulas given.
- (3) Where flanges are attached to one or both ends, the values of k and i shall be corrected by the factors, C_w , which can be read directly from Chart B, entering with the computed h .
- (4) The designer is cautioned that cast butt-welded fittings may have considerably heavier walls than that of the pipe with which they are used. Large errors may be introduced unless the effect of these greater thicknesses is considered.
- (5) In large diameter thin-wall elbows and bends, pressure can significantly affect the magnitudes of k and i . To correct values from the table, divide k by

$$\left[1 + 6 \left(\frac{P}{E_e} \right) \left(\frac{r_2}{\bar{T}} \right)^{7/3} \left(\frac{R_1}{r_2} \right)^{1/3} \right]$$

divide i by

$$\left[1 + 3.25 \left(\frac{P}{E_e} \right) \left(\frac{r_2}{\bar{T}} \right)^{5/2} \left(\frac{R_1}{r_2} \right)^{2/3} \right]$$

where

 E_e = cold modulus of elasticity, psi (MPa) P = gage pressure, psi (MPa)

- (6) If the number of displacement cycles is less than 200, the radius and thickness limits specified need not be met. When the radius and thickness limits are not met and the number of design cycles exceeds 200, the out-plane and in-plane stress intensification factors shall be calculated as $1.12/h^{2/3}$ and $(0.67/h^{2/3}) + 1/4$, respectively.
- (7) When $t_e > 1\frac{1}{2}T$, use $h = 4.05T/r_2$.
- (8) The minimum value of the stress intensification factor shall be 1.2.
- (9) When the branch-to-run diameter ratio exceeds 0.5, but is less than 1.0, and the number of design displacement cycles exceeds 200, the out-plane and in-plane stress intensification factors shall be calculated as $1.8/h^{2/3}$ and $(0.67/h^{2/3}) + 1/4$, respectively, unless the transition weld between the branch and run is blended to a smooth concave contour. If the transition weld is blended to a smooth concave contour, the stress intensification factors in the table still apply.
- (10) If the number of displacement cycles is less than 200, the radius and thickness limits specified need not be met. When the radius and thickness limits are not met and the number of design displacement cycles exceeds 200, the out-plane and in-plane stress intensification factors shall be calculated as $1.8/h^{2/3}$ and $(0.67/h^{2/3}) + 1/4$, respectively.
- (11) The designer must be satisfied that this fabrication has a pressure rating equivalent to straight pipe.
- (12) The stress intensification factors apply to girth butt welds between two items for which the nominal wall thicknesses are between $0.875\bar{T}$ and $1.10\bar{T}$ for an axial distance of $\sqrt{D_o\bar{T}}$. D_o and \bar{T} are nominal outside diameter and nominal wall thickness, respectively. δ_{avg} is the average mismatch or offset.
- (13) The equation applies only if the following conditions are met:
 (a) Cone angle α does not exceed 60 deg, and the reducer is concentric.
 (b) The larger of D_{o1}/\bar{T} and D_{o2}/\bar{T} does not exceed 100.
 (c) The wall thickness is not less than \bar{T}_1 throughout the body of the reducer, except in and immediately adjacent to the cylindrical portion on the small end, where the thickness shall not be less than \bar{T}_2 .

Table E-1
Flexibility Factor, k , and Stress Intensification Factor, i (Cont'd)

NOTES: (Cont'd)

- (14) For some flanged joints, leakage may occur at expansion stresses otherwise permitted herein. The moment to produce leakage of a flanged joint with a gasket having no self-sealing characteristics can be estimated by the following equation:

$$M_L = (C/4)(S_b A_b - P A_p)$$

where

- A_b = total area of flange bolts, in.² (mm²)
 A_p = area to outside of gasket contact, in.² (mm²)
 C = bolt circle, in. (mm)
 M_L = moment to produce flange leakage, in.-lb (mm·N)
 P = internal pressure, psi (MPa)
 S_b = bolt stress, psi (MPa)

- (15) C_x is the fillet weld length. For unequal lengths, use the smaller leg for C_x .
 (16) Factors shown apply to bending. Flexibility factor for torsion equals 0.9.

MANDATORY APPENDIX F

EXTRUDED HEADERS AND WELDED BRANCH CONNECTIONS¹

(22) F-1 EXTRUDED HEADERS

Definitions and limitations applicable to Figures F-1 through F-4 are as follows:

D = outside diameter of run, in. (mm)

d = outside diameter of branch pipe, in. (mm)

D_c = corroded internal diameter of run, in. (mm)

d_c = corroded internal diameter of branch pipe, in. (mm)

D_o = corroded internal diameter of extruded outlet measured at the level of the outside surface of run, in. (mm)

h_o = height of the extruded lip. This must be equal to or greater than r_o , except as shown in limitation (b) of r_o , in. (mm).

L = height of the reinforcement zone, in. (mm)
 $= 0.7\sqrt{dT_o}$

r_1 = half width of reinforcement zone (equal to D_o), in. (mm)

r_o = radius of curvature of external contoured portion of outlet measured in the plane containing the axes of the run and branch, in. (mm). This is subject to the following limitations:

(a) *Minimum Radius.* This dimension shall not be less than $0.05d$, except that on branch diameters larger than 30 in. (762 mm), it need not exceed 1.50 in. (38.1 mm).

(b) *Maximum Radius.* For outlet pipe sizes NPS 8 (DN 200) and larger, this dimension shall not exceed $0.10d + 0.50$ in. ($0.10d + 12.7$ mm). For outlet pipe sizes smaller than NPS 8 (DN 200), this dimension shall not be greater than 1.25 in. (31.75 mm).

(c) When the external contour contains more than one radius, the radius on any arc sector of approximately 45 deg shall meet the requirements of (a) and (b).

(d) Machining shall not be employed to meet the above requirements.

T_b = actual thickness of branch wall, not including corrosion allowance, in. (mm)

t_b = required nominal wall thickness of branch pipe according to the steel pipe design formula of para. 841.1.1, but not including any thickness for corrosion, in. (mm)

T_o = corroded finished thickness of extruded outlet measured at a height equal to r_o above the outside surface of the run, in. (mm)

T_r = actual thickness of the run wall, not including the corrosion allowance, in. (mm)

t_r = required nominal wall thickness of the run according to the steel pipe design formula of para. 841.1.1, but not including any allowance for corrosion or under-thickness tolerance, in. (mm)

F-2 EXAMPLES ILLUSTRATING THE APPLICATION OF THE RULES FOR REINFORCEMENT OF WELDED BRANCH CONNECTIONS

F-2.1 Example 1

(22)

An NPS 8 outlet is welded to an NPS 24 header. The header material is API Spec 5L X46 with a 0.312 in. nominal wall thickness. The outlet is API Spec 5L Grade B (Seamless) Schedule 40 with a 0.322 in. nominal wall thickness. The working pressure is 650 psig. The fabrication is in Location Class 1. Using para. 841.1, the longitudinal weld joint quality factor, E , is 1.00. The temperature is 100°F. Design factors $F = 0.60$, $E = 1.00$, and $T = 1.00$. For dimensions, see Figure F-6.

F-2.1.1 Header. Nominal wall thickness required:

$$t = \frac{PD}{2SFET} = \frac{650 \times 24}{2 \times 46,400 \times 0.60 \times 1.00 \times 1.00} = 0.280 \text{ in.}$$

Excess thickness in header wall:

$$H - t = 0.312 - 0.280 = 0.032 \text{ in.}$$

F-2.1.2 Outlet. Nominal wall thickness required:

$$t_b = \frac{650 \times 8.625}{2 \times 35,500 \times 0.60 \times 1.00 \times 1.00} = 0.132 \text{ in.}$$

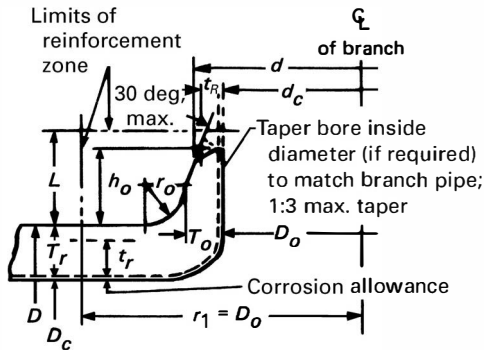
Excess thickness in outlet wall:

$$B - t_b = 0.322 - 0.132 = 0.190 \text{ in.}$$

$$d = \text{inside diameter of opening} = 8.625 - 2 \times 0.322 = 7.981 \text{ in.}$$

¹See para. 831.6.

Figure F-1
Limits of Reinforcement Zone



F-2.1.3 Reinforcement Required

$$A_R = dt = 7.981 \times 0.280 = 2.235 \text{ in.}^2$$

F-2.1.4 Reinforcement Provided by Header

$$A_1 = (H - t) d = 0.032 \times 7.981 = 0.255 \text{ in.}^2$$

F-2.1.5 Effective Area in Outlet

$$\begin{aligned} \text{Height } L &= 2\frac{1}{2}B + M(\text{assume } \frac{1}{4} \text{ in. pad}) \\ &= (2\frac{1}{2} \times 0.322) + 0.25 \\ &= 1.055 \text{ in.} \end{aligned}$$

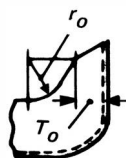
or $L = 2\frac{1}{2}H = 2.5 \times 0.312 = 0.780 \text{ in.}$ Use $L = 0.780 \text{ in.}$

$$A_2 = 2(B - t_b)L = 2 \times 0.190 \times 0.780 = 0.296 \text{ in.}^2$$

This must be multiplied by 35,500/46,400 [see para. 831.4.1(f)].

$$\text{Effective } A'_2 = 0.296 \times \frac{35,500}{46,400} = 0.226 \text{ in.}^2$$

Figure F-2
Method of Establishing T_o When the Taper Encroaches on the Crotch Radius



Required area:

$$\begin{aligned} A_3 &= A_R - A_1 - A'_2 = 2.235 - 0.255 - 0.226 \\ &= 1.754 \text{ in.}^2 \end{aligned}$$

Use a reinforced plate that is 0.250 in. thick (minimum practicable) \times 15.5 in. in diameter.

$$\text{Area} = (15.500 - 8.625) \times 0.250 = 1.719 \text{ in.}^2$$

Fillet welds (assuming two $\frac{1}{4}$ in. welds each side):

$$\frac{1}{2}(0.25 \times 0.25) \times 4 = 0.125 \text{ in.}^2$$

$$\text{Total } A_3 \text{ provided} = 1.844 \text{ in.}^2$$

See also Figure F-5.

F-2.1M Example 1M

(22)

A DN 200 outlet is welded to a DN 600 header. The header material is API Spec 5L Grade L320 with a 7.92 mm nominal wall thickness. The outlet is API Spec 5L Grade L245 (Seamless) with a 8.18 mm nominal wall thickness. The working pressure is 4.48 MPa. The fabrication is in Location Class 1. Using para. 841.1, the longitudinal weld joint quality factor, E , is 1.00. The temperature is 37.8°C. Design factors $F=0.60$, $E=1.00$, and $T=1.00$. For dimensions, see Figure F-6.

F-2.1.1M Header. Nominal wall thickness required:

$$t = \frac{PD}{2SFET} = \frac{4.48 \times 609.6}{2 \times 320 \times 0.60 \times 1.00 \times 1.00} = 7.112 \text{ mm}$$

Excess thickness in header wall:

$$H - t = 7.925 - 7.112 = 0.813 \text{ mm}$$

F-2.1.2M Outlet. Nominal wall thickness required:

$$t_b = \frac{4.48 \times 219.1}{2 \times 245 \times 0.60 \times 1.00 \times 1.00} = 3.339 \text{ mm}$$

Excess thickness in outlet wall:

$$B - t_b = 8.179 - 3.339 = 4.840 \text{ mm}$$

$$\begin{aligned} d &= \text{inside diameter of opening} = 219.08 - 2 \times 8.179 \\ &= 202.72 \text{ mm} \end{aligned}$$

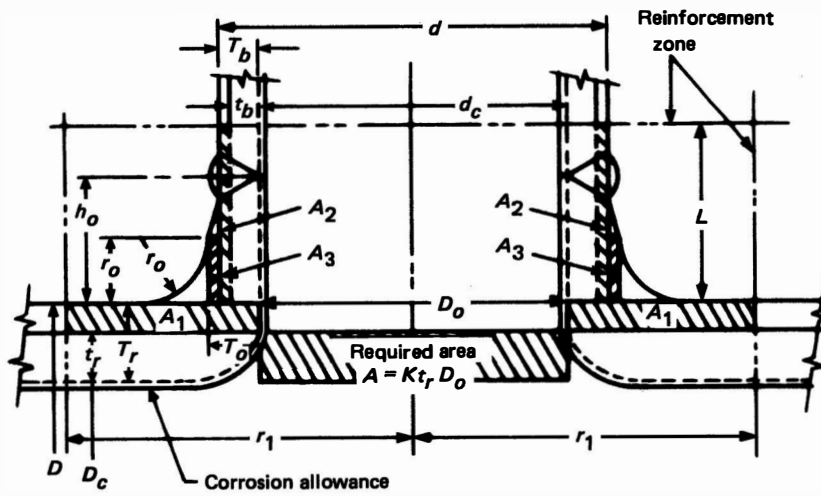
F-2.1.3M Reinforcement Required

$$A_R = dt = 202.72 \times 7.112 = 1441.7 \text{ mm}^2$$

F-2.1.4M Reinforcement Provided by Header

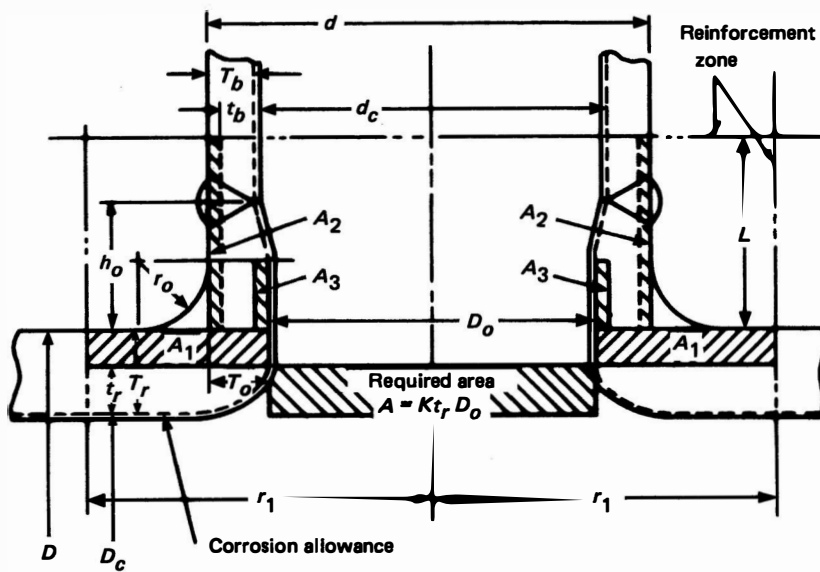
$$A_1 = (H - t)d = 0.813 \times 202.72 = 164.81 \text{ mm}^2$$

Figure F-3
Example Showing Constant Inside Diameter of Outlet



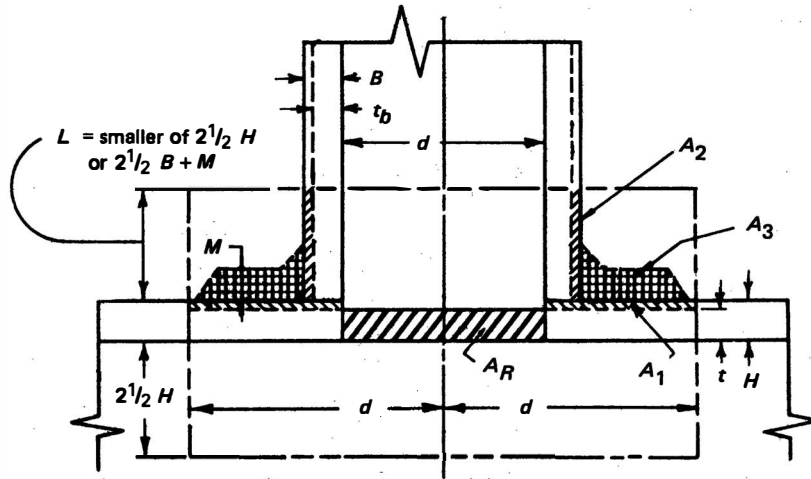
GENERAL NOTE: Illustration is drawn for condition where $K = 1.00$.

Figure F-4
Example Showing Tapered Inside Diameter of Outlet



GENERAL NOTE: Illustration is drawn for condition where $K = 1.00$.

Figure F-5
Rules for Reinforcement of Welded Branch Connections



Area of reinforcement enclosed by ———— lines.
Reinforcement area required $A_R = dt$
Area available as reinforcement = $A_1 + A_2 + A_3$

$A_1 = (H - t)(d)$ (If negative, use zero for value of A_1)

$A_2 = 2(B - t_b)L$

A_3 = summation of area of all added reinforcement, including weld areas that lie within the area of reinforcement

$A_1 + A_2 + A_3$ must be equal to or greater than A_R

where

B = nominal wall thickness of branch

d = the greater of the length of the finished opening in the header wall measured parallel to the axis of the run or the inside diameter of the branch connection

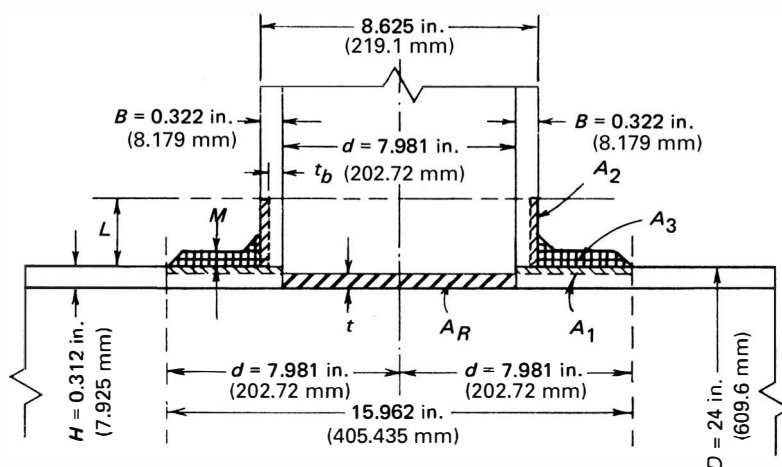
H = nominal wall thickness of header

M = actual (by measurement) or nominal thickness of added reinforcement

t = required nominal wall thickness of the header (under the appropriate section of this Code)

t_b = required nominal wall thickness of the branch (under the appropriate section of this Code)

Figure F-6
Figure for Examples 1 and 1M



F-2.1.5M Effective Area in Outlet

$$\begin{aligned} \text{Height } L &= \text{Height } L = 2\frac{1}{2}B + M \text{ (assume 6.35 mm pad)} \\ &= (2\frac{1}{2} \times 8.179) + 6.35 = 26.797 \text{ mm} \end{aligned}$$

or $L = 2\frac{1}{2}H = 2.5 \times 7.92 = 19.812 \text{ mm}$. Use $L = 19.812 \text{ mm}$.

$$A_2 = 2(B - t_b)L = 2 \times 4.840 \times 19.812 = 191.78 \text{ mm}^2$$

This must be multiplied by 245/320 [see para. 831.4.1(f)].

$$\text{Effective } A'_2 = 191.78 \times \frac{245}{320} = 146.83 \text{ mm}^2$$

Required area:

$$\begin{aligned} A_3 &= A_R - A_1 - A'_2 = 1441.7 - 164.81 - 146.83 \\ &= 1130.1 \text{ mm}^2 \end{aligned}$$

Use a reinforced plate that is 6.35 mm thick (minimum practicable) \times 393.7 mm in diameter.

$$\text{Area} = (393.7 - 219.1) \times 6.35 = 1108.9 \text{ mm}^2$$

Fillet welds (assuming two 6.35-mm welds each side):

$$\frac{1}{2}(6.35 \times 6.35) \times 4 = 80.65 \text{ mm}^2$$

$$\text{Total } A_3 \text{ provided} = 1189.5 \text{ mm}^2$$

See also Figure F-5.

F-2.2 Example 2

(22)

An NPS 16 outlet is welded to an NPS 24 header. The header material is API Spec 5L X46 with a 0.312 in. nominal wall thickness. The outlet is API Spec 5L Grade B (Seamless) Schedule 20 with a 0.312 in. nominal wall thickness. The working pressure is 650 psig. The fabrication is in Location Class 1. By para. 831.4.2, the reinforcement must be of the complete encirclement type. Using para. 841.1, the longitudinal weld joint quality factor, E , is 1.00. The temperature is 100°F. Design factors $F = 0.60$, $E = 1.00$, and $T = 1.00$. For dimensions, see Figure F-7.

F-2.2.1 Header. Nominal wall thickness required:

$$t = \frac{PD}{2SFET} = \frac{650 \times 24}{2 \times 46,400 \times 0.60 \times 1.00 \times 1.00} = 0.280 \text{ in.}$$

Excess thickness in header wall:

$$H - t = 0.312 - 0.280 = 0.032 \text{ in.}$$

F-2.2.2 Outlet. Nominal wall thickness required:

$$t_b = \frac{650 \times 16}{2 \times 35,500 \times 0.60 \times 1.00 \times 1.00} = 0.244 \text{ in.}$$

Excess thickness in outlet wall:

$$B - t_b = 0.312 - 0.244 = 0.068 \text{ in.}$$

$$\begin{aligned} d &= \text{inside diameter of opening} = 16.000 - 2 \times 0.312 \\ &= 15.376 \text{ in.} \end{aligned}$$

F-2.2.3 Reinforcement Required

$$A_R = dt = 15.376 \times 0.280 = 4.305 \text{ in.}^2$$

F-2.2.4 Reinforcement Provided

$$A_1 = (H - t)d = 0.032 \times 15.376 = 0.492 \text{ in.}^2$$

(22) F-2.2.5 Effective Area in Outlet

$$\begin{aligned} \text{Height } L &= 2\frac{1}{2}B + M \left(\text{assume } \frac{5}{16} \text{ in. plate} \right) \\ &= (2.5 \times 0.312) + 0.312 = 1.092 \text{ in.} \end{aligned}$$

or

$$L = 2\frac{1}{2}H = 2.5 \times 0.312 = 0.780 \text{ in. Use } L = 0.780 \text{ in.}$$

$$A_2 = 2(B - t_b)L = 2 \times 0.068 \times 0.780 = 0.106 \text{ in.}^2$$

This must be multiplied by 35,000/46,000 [see para. 831.4.1(f)].

$$\text{Effective } A'_2 = 0.106 \times 35,500/46,400 = 0.081 \text{ in.}^2$$

Required area:

$$A_3 = A_R - A_1 - A'_2 = 4.305 - 0.492 - 0.081 = 3.732 \text{ in.}^2$$

Approximate required thickness of reinforcement:

$$3.732/(30 - 16) = 0.267 \text{ in.}$$

Use a 0.312 in. plate minimum required length (neglecting welds):

$$3.732/0.312 = 11.962 \text{ in.}$$

$$16 + 11.962 = 28 \text{ in. (rounded to the next higher whole number)}$$

Use a plate that is 28 in. long:

$$\text{Area} = 0.312 \times (28 - 16) = 3.744 \text{ in.}^2$$

Two $\frac{1}{4}$ in. welds to outlet:

$$\frac{1}{2} \times (0.25 \times 0.25) \times 2 = 0.063 \text{ in.}^2$$

$$\text{Total } A_3 \text{ provided} = 3.807 \text{ in.}^2$$

The use of end welds is optional (see Mandatory Appendix I, Figure I-3).

F-2.2M Example 2M

(22)

A DN 400 outlet is welded to a DN 600 header. The header material is API Spec 5L Grade L320 with a 7.92 mm nominal wall thickness. The outlet is API Spec 5L Grade L245 (seamless) with a 7.92 mm nominal wall thickness. The working pressure is 4.48 MPa. The fabrication is in Location Class 1. By para. 831.4.2, the reinforcement must be of the complete encirclement type. Using para. 841.1, the longitudinal weld joint quality factor, E , is 1.00. The temperature is 37.8°C. Design factors $F = 0.60$, $E = 1.00$, and $T = 1.00$. For dimensions, see Figure F-7.

F-2.2.1M Header. Nominal wall thickness required:

$$\begin{aligned} t &= \frac{PD}{2SFET} = \frac{4.48 \times 609.6}{2 \times 320 \times 0.60 \times 1.00 \times 1.00} \\ &= 7.112 \text{ mm} \end{aligned}$$

Excess thickness in header wall:

$$H - t = 7.925 - 7.112 = 0.813 \text{ mm}$$

F-2.2.2M Outlet. Nominal wall thickness required:

$$t_b = \frac{4.48 \times 406.4}{2 \times 245 \times 0.60 \times 1.00 \times 1.00} = 6.193 \text{ mm}$$

Excess thickness in outlet wall:

$$B - t_b = 7.925 - 6.193 = 1.732 \text{ mm}$$

$$\begin{aligned} d &= \text{inside diameter of opening} = 406.4 - 2 \times 7.925 \\ &= 390.55 \text{ mm} \end{aligned}$$

F-2.2.3M Reinforcement Required

$$A_R = dt = 390.55 \times 7.112 = 2777.6 \text{ mm}^2$$

F-2.2.4M Reinforcement Provided

$$A_1 = (H - t)d = 0.813 \times 390.55 = 317.52 \text{ mm}^2$$

F-2.2.5M Effective Area in Outlet

$$\begin{aligned} \text{Height } L &= 2\frac{1}{2}B + M \left(\text{assume } 7.94 \text{ mm plate} \right) \\ &= (2.5 \times 7.92) + 7.94 = 27.75 \text{ mm} \end{aligned}$$

or

$$L = 2\frac{1}{2}H = 2.5 \times 7.92 = 19.812 \text{ mm. Use } L = 19.812 \text{ mm.}$$

$$A_2 = 2(B - t_b)L = 2 \times 1.732 \times 19.812 = 68.63 \text{ mm}^2$$

This must be multiplied by 245/320 [see para. 831.4.1(f)].

$$\text{Effective } A'_2 = 68.63 \times 245/320 = 52.54 \text{ mm}^2$$

MANDATORY APPENDIX G

TESTING OF WELDERS LIMITED TO WORK ON LINES OPERATING AT HOOP STRESSES OF LESS THAN 20% OF THE SPECIFIED MINIMUM YIELD STRENGTH¹

G-1 TEST PROCEDURES

(a) An initial test shall qualify a welder for work. Thereafter, the welder's work shall be checked either by requalification at 1 yr intervals or by cutting out and testing production work at least every 6 months.

(b) The test may be made on pipe of any diameter NPS 12 (DN 300) or smaller. The test weld shall be made with the pipe in a horizontal fixed position so that the test weld includes at least one section of overhead position welding.

(c) The beveling, root opening, and other details must conform to the procedure specification under which the welder is qualified.

(d) The test weld shall be cut into four coupons and subjected to the root bend test. If as a result of this test, a crack develops in the weld material or between the weld and base metal more than $\frac{1}{8}$ in. (3.2 mm) long in any direction, this shall be cause for rejection. Cracks occurring on the corner of the specimen during testing shall not be considered. If not more than one coupon is rejected, the weld is to be considered acceptable.

(e) Welders who are to make welded service line connections to mains shall be required to pass the following tests satisfactorily:

(1) Weld a service line connection fitting to a pipe section having the same diameter as a typical main. This weld shall be made in the same position as this type of weld is made in the field.

(2) The weld shall be tested by attempting to break the fitting off the run pipe by any available means (knocking it off).

A sample shall be rejected if the broken weld at the junction of the fitting and run pipe shows incomplete fusion, overlap, or poor penetration.

(f) For the periodic checking of welders who work on small service lines only [NPS 2 (DN 50) or smaller in diameter], the following special field test may be

employed. This test should not be used as a substitute for the original qualifying test.

Two sample welds made by the welder under test shall be taken from steel service line. Each sample shall be cut 8 in. (200 mm) long with the weld located approximately in the center. One sample shall have the ends flattened and the entire joint subjected to the tensile strength test. Failure must be in the parent metal and not adjacent to or in the weld metal to be acceptable. The second sample shall be centered in the guided bend testing machine and bent to the contour of the die for a distance of 2 in. (50 mm) on each side of the weld. The sample to be acceptable must show no breaks or cracks after removal from the bending machine.

When a tensile strength testing machine is not available, two bend test samples will be acceptable in lieu of one tension and one bending test.

(g) *Tests for Copper Joints.* Personnel who are to work on copper piping should pass the following test satisfactorily.

A brazed or soldered copper bell joint should be made on any size of copper pipe used, with the axis of the pipe stationary in the horizontal position. The joint so welded is to be sawed open longitudinally at the top of the pipe (the top being the uppermost point on the circumference at time joint is brazed). The joint should be spread apart for examination. The bell end of the joint must be completely bonded. The spigot end of the joint must give evidence that the brazing alloy has reached at least 75% of the total area of the telescoped surfaces. At least 50% of the length at the top of the joint must be joined.

(h) Records shall be kept of the original tests and all subsequent tests conducted on the work of each welder.

¹ See para. 823.1.

MANDATORY APPENDIX H FLATTENING TEST FOR PIPE¹

(22) H-1 TEST PROCEDURES

(a) The flattening test shall be made on standard weight and extra strong pipe over NPS 2 (DN 50). It shall not be required for double extra strong pipe.

(b) For a lap-welded and butt-welded pipe, the test section shall be 4 in. to 6 in. (100 mm to 150 mm) in length, and the weld shall be located 45 deg from the line of direction of the applied force.

(c) For electric-resistance welded pipe, both crop ends from each length of pipe shall be flattened between parallel plates with the weld at the point of maximum bending until the opposite walls of the pipe meet. No opening in the weld shall take place until the distance between the plates is less than two-thirds of the original outside diameter of the pipe. No cracks or breaks in the metal other than in the weld shall occur until the distance between the plates is less than one-third of the original outside diameter of the pipe, but in no case less than five times the nominal wall thickness of the pipe. Evidence of lamination or burnt material shall not develop during the entire flattening process, and the weld shall not show injurious defects.

(d) For seamless pipe the test section shall be not less than 2½ in. (64 mm) in length.

(e) The test shall consist of flattening a section of pipe between parallel plates until the opposite walls meet. For welded pipe, no opening in the weld shall take place until the distance between the plates is less than three-fourths of the original outside diameter for butt-welded pipe, and two-thirds of the outside diameter for lap-welded and electric-resistance welded pipes. No cracks or breaks in the metal other than in the weld shall occur until the distance between the plates is less than three-fifths of the outside diameter for butt-welded pipe, and one-third of the outside diameter for lap-welded and electric-resistance welded (Grades A and B) pipes. For seamless (Grades A and B) pipe, no breaks or cracks in the metal shall occur until the distance between the plates is less than that shown by the following:

$$H = \frac{(1 + e)t}{e + t/D}$$

where

D = actual outside diameter of pipes, in. [2.375 in. (60.33 mm) nominal]

e = deformation per unit length (constant for a given grade of steel, 0.09 for Grade A and 0.07 for Grade B)

H = distance between flattening plates, in. (mm)

t = nominal wall thickness of pipe, in. (mm)

¹See para. 817.1.3(b).

MANDATORY APPENDIX I

END PREPARATIONS FOR BUTTWELDING

I-1 EXPLANATORY NOTES

I-1.1 General

This Appendix applies to end preparation for butt-welding sections having unequal thicknesses and unequal specified minimum yield strengths (see [Figures I-1 through I-4](#)).

(a) The illustrations in [Figure I-5](#) illustrate acceptable preparations for joining pipe ends by butt-welding for materials having unequal wall thicknesses and/or with unequal strengths (specified minimum yield strength).

(b) The thickness of the sections to be joined beyond the joint design area shall comply with the design requirements of this Code.

(c) When the specified minimum yield strengths of the sections to be joined are unequal, the deposited weld metal shall have mechanical properties at least equal to those of the section having the higher strength.

(d) The transition between ends of unequal thickness may be accomplished by taper or welding as illustrated or by means of a prefabricated transition ring.

(e) Sharp notches or grooves at the edge of the weld where it joins a slanted surface shall be avoided.

(f) For joining unequal thicknesses of equal specified minimum yield strengths, the rules given herein apply, except there is no minimum angle limit to the taper.

(g) The maximum thickness, t_D , for design purposes shall not be greater than $1.5t$.

(22) I-1.2 Unequal Internal Diameters

(a) For piping to operate at hoop stresses of less than 20% of specified minimum yield strength, if the nominal wall thicknesses of the adjoining ends do not vary more than $\frac{1}{8}$ in. (3.2 mm), no special treatment is necessary provided adequate penetration and bond is accomplished in welding. If the offset is greater than $\frac{1}{8}$ in. (3.2 mm), [\(b\)\(1\)](#) through [\(b\)\(4\)](#) will apply.

(b) For hoop stress levels 20% or more of the specified minimum yield strength

(1) If the nominal wall thickness of the adjoining ends does not vary more than $\frac{3}{32}$ in. (2.38 mm), no special treatment is necessary, provided full penetration and bond is accomplished in welding. See [Figure I-5](#), illustration (a).

(2) Where the nominal internal offset is greater than $\frac{3}{32}$ in. (2.38 mm) and there is no access to the inside of the pipe for welding, the transition must be made by a taper cut on the inside end of the thicker section. See [Figure I-5](#), illustrations (b) and (e). The taper angle shall be not greater than 30 deg nor less than 14 deg.

(3) Where the nominal internal offset is more than $\frac{3}{32}$ in. (2.38 mm) but does not exceed one-half the thinner section, and there is access to the inside of the pipe for welding, the transition may be made with a tapered weld as shown in [Figure I-5](#), illustration (c). The land on the thicker section must be equal to the offset plus the land on abutting section.

(4) Where the nominal internal offset is more than one-half the thinner section and there is access to the inside of the pipe for welding, the transition may be made with a taper cut on the inside end of the thicker section as shown in [Figure I-5](#), illustrations (b) and (e), or by a combination taper weld to one-half the thinner section and a taper cut from that point as shown in [Figure I-5](#), illustration (d).

I-1.3 Unequal External Diameters

(22)

(a) Where the external offset does not exceed one-half the thinner section, the transition may be made by welding as shown in [Figure I-5](#), illustration (f), provided the angle of rise of the weld surface does not exceed 30 deg and both bevel edges are properly fused.

(b) Where there is an external offset exceeding one-half the thinner section, that portion of the offset over $\frac{1}{2}t$ shall be tapered as shown in [Figure I-5](#), illustration (g).

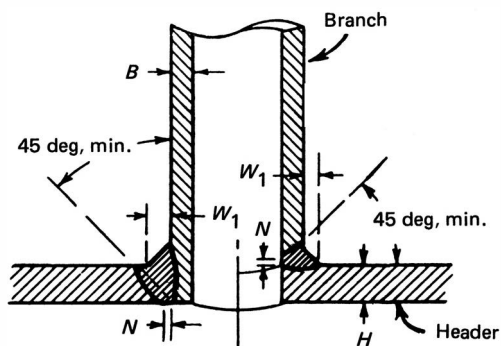
(c) For [Figure I-5](#), illustration (e), the material thickness throughout the weld joint shall comply with the design requirements of this Code. [Figure I-5](#), illustration (e), is only intended for use with straight sections of pipe.

I-1.4 Unequal Internal and External Diameters

(22)

Where there is both an internal and an external offset due to the thicker wall component having both a larger outside diameter and a smaller inside diameter than the thinner wall component, the joint design shall be a combination of [Figure I-5](#), illustrations (a) through (g), i.e., illustration (h). Particular attention must be paid to proper alignment under these conditions per [Figure I-6](#).

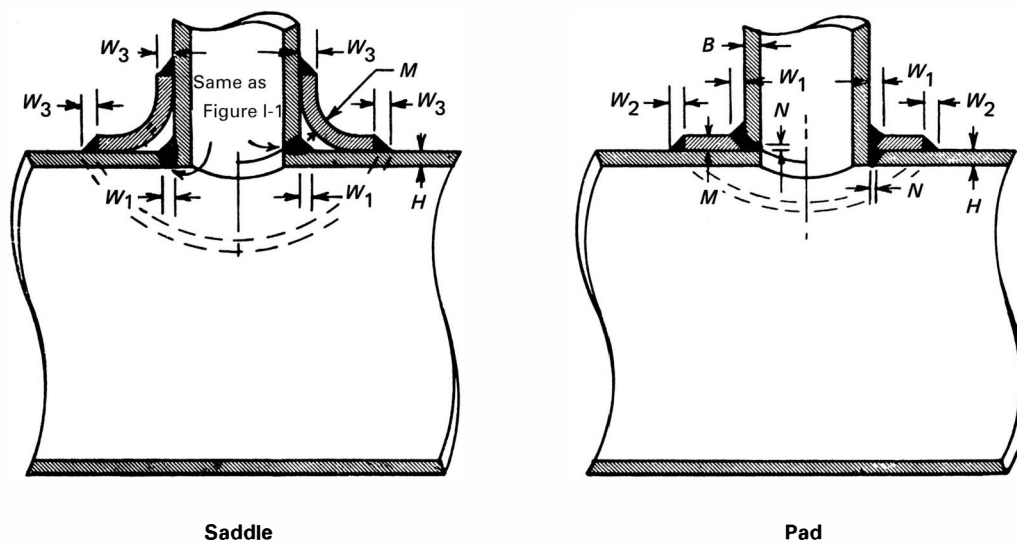
Figure I-1
Welding Details for Openings Without Reinforcement
Other Than That in Header and Branch Walls



GENERAL NOTES:

- When a welding saddle is used, it shall be inserted over this type of connection.
- $W_1 = 3B/8$, but not less than $1/4$ in. (6.35 mm).
- $N = 1/16$ in. (1.59 mm) min., $1/8$ in. (3.18 mm) max., unless back welded or backing strip is used.

Figure I-2
Welding Details for Openings With Localized-Type Reinforcement

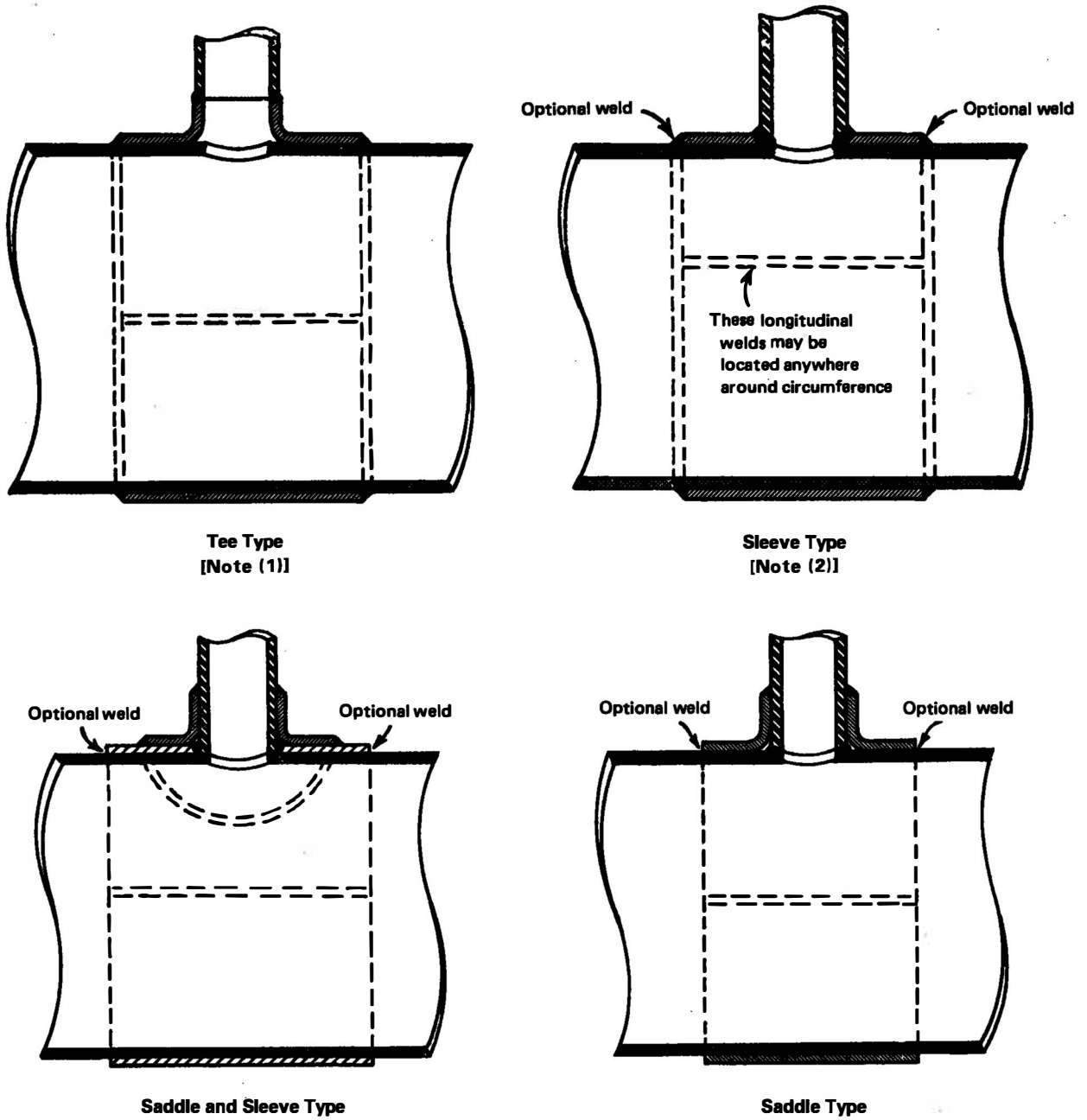


$$\begin{aligned}
 W_1 \text{ min.} &= 3B/8, \text{ but not less than } 1/4 \text{ in. (6.35 mm)} \\
 W_2 \text{ min.} &= M/2, \text{ but not less than } 1/4 \text{ in. (6.35 mm)} \\
 W_3 \text{ min.} &= M, \text{ but not greater than } H \\
 N &= 1/16 \text{ in. (1.59 mm) min., unless back welded or backing strip is used}
 \end{aligned}$$

GENERAL NOTES:

- All welds to have equal leg dimensions, and a minimum throat = $0.707 \times$ leg dimension.
- If M is thicker than H , the reinforcing member shall be tapered down to the header wall thickness.
- Provide hole in reinforcement to reveal leakage in buried welds and to provide venting during welding and heat treatment [see [para. 831.4.1\(h\)](#)].

Figure I-3
Welding Details for Openings With Complete Encirclement Types of Reinforcement



NOTES:

- (1) Since fluid pressure is exerted on both sides of pipe metal under tee, the pipe metal does not provide reinforcement.
- (2) Provide hole in reinforcement to reveal leakage in buried welds and to provide venting during welding and heat treatment [see para. 831.4.1(h)]. Not required for tee type.

Figure I-3.1
Pressurized Hot Tap Tee Reinforcing Sleeve End Fillet Weld Design

(22)

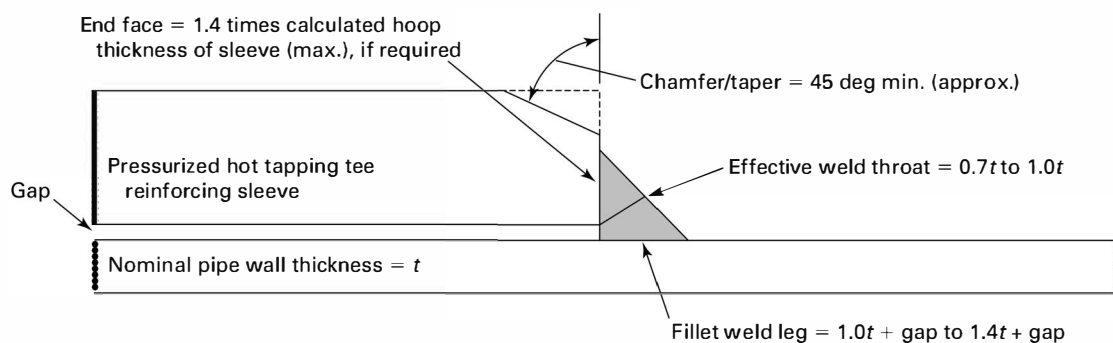
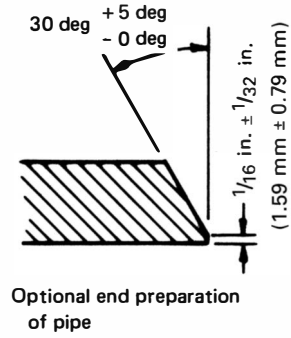
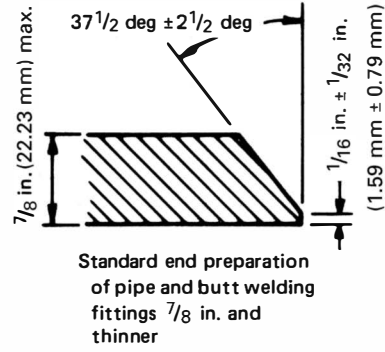


Figure I-4
Acceptable Combinations of Pipe End Preparations

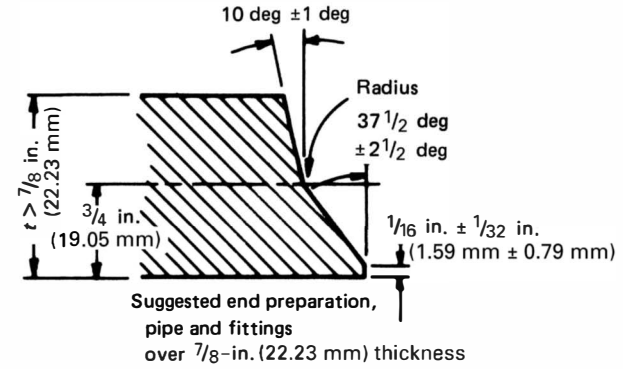


(a)

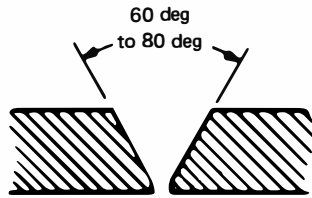


(b)

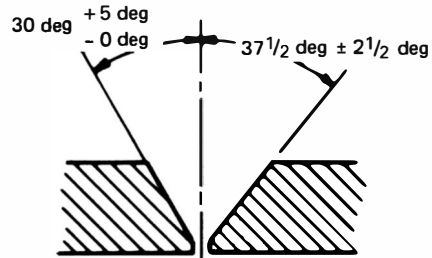
Standard End Preparations



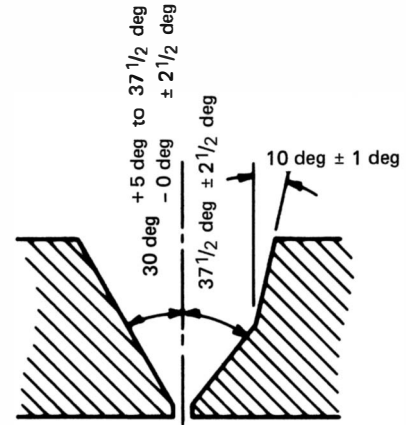
(c)



(d)



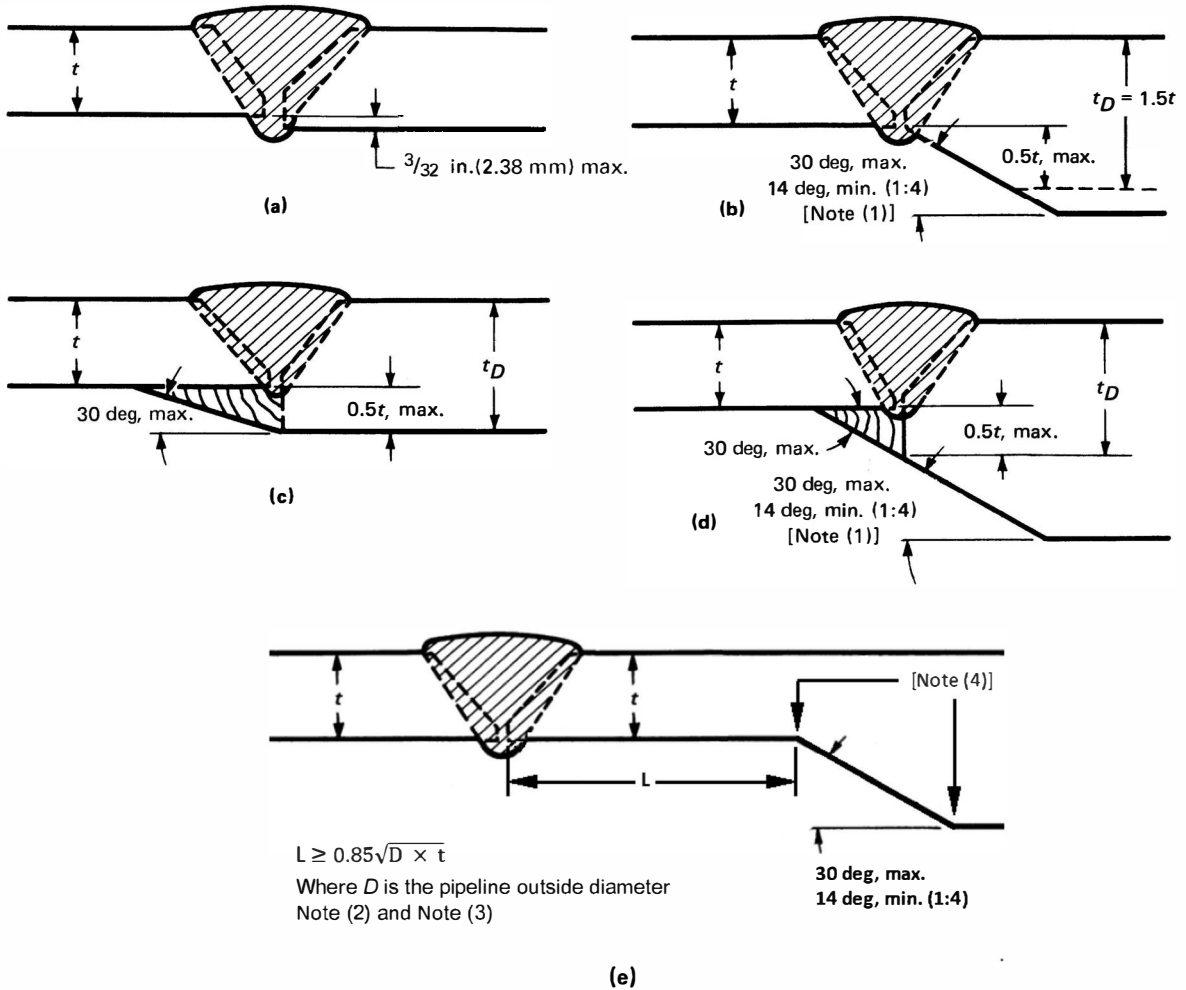
(e)



(f)

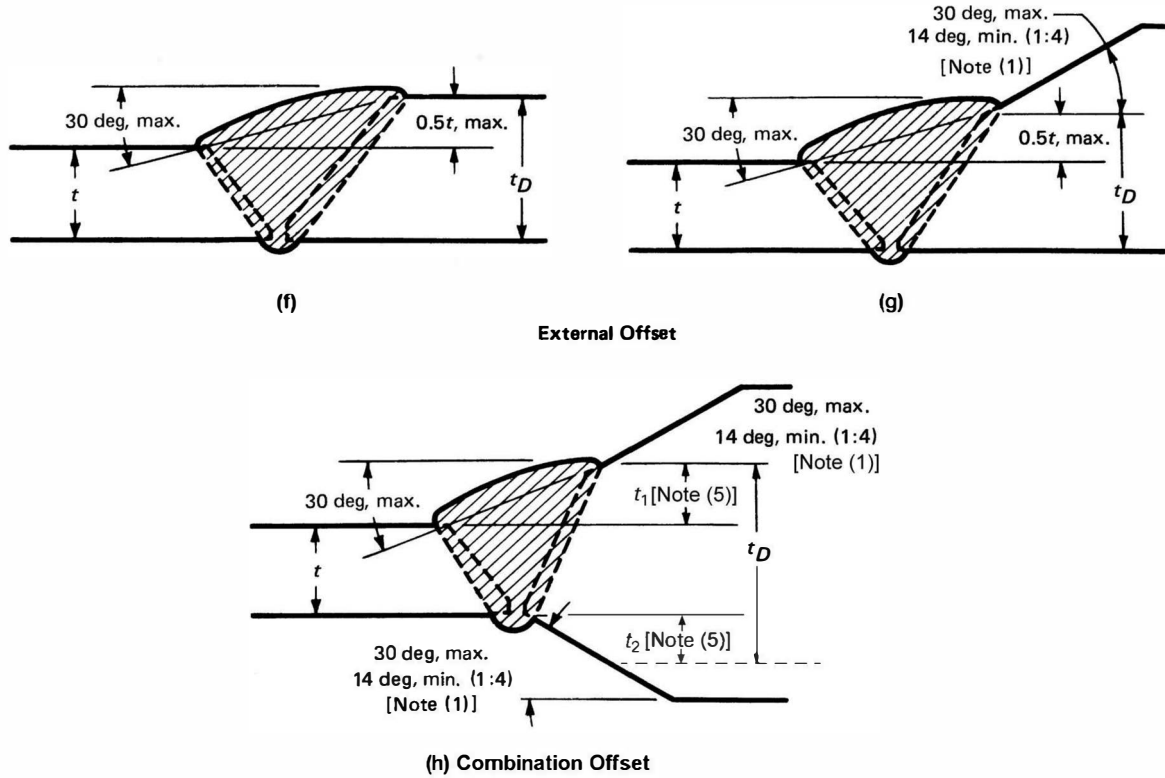
(22)

Figure I-5
Acceptable Design for Unequal Wall Thickness



Internal Offset

Figure I-5
Acceptable Design for Unequal Wall Thickness (Cont'd)

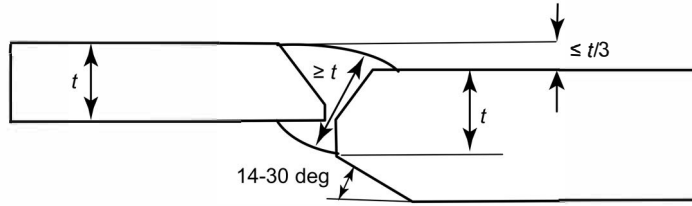


NOTES:

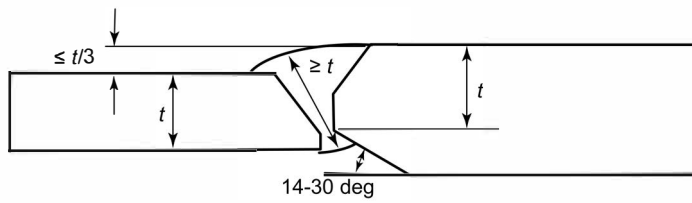
- (1) No minimum when materials joined have equal specified minimum yield strengths.
- (2) The material thickness throughout the weld joint shall comply with the design requirements of this Code.
- (3) Illustration (e) is only intended for use with straight sections of pipe.
- (4) Intersections should be slightly rounded.
- (5) $t_1 + t_2$ shall not exceed $0.5t$.

Figure I-6
Offset Limits Due to Misalignment at Unequal Thickness Joints

(22)



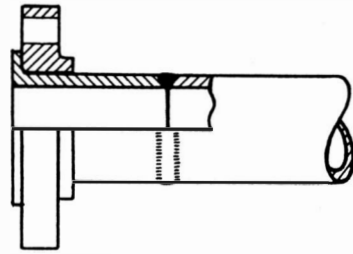
(a) Combination offset with O.D. and I.D. offsets in the same direction



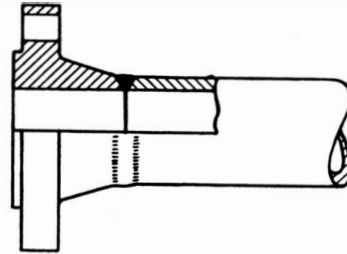
(b) Combination offsets with O.D. and I.D. offsets in opposite directions

Figure I-7
Recommended Attachment Details of Flanges

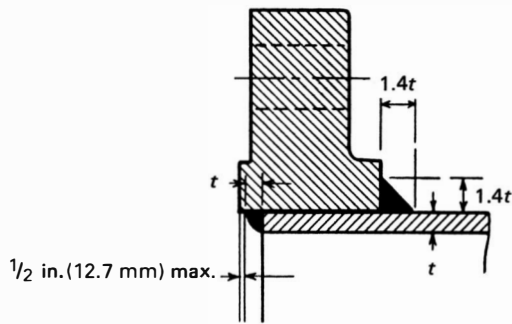
(22)



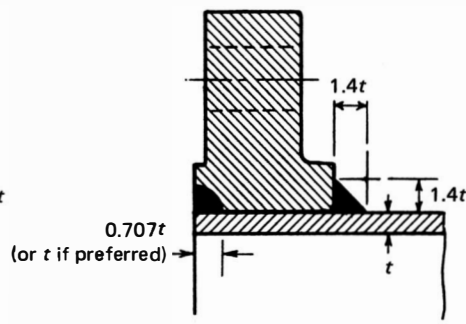
(a) Lap Joint Flange



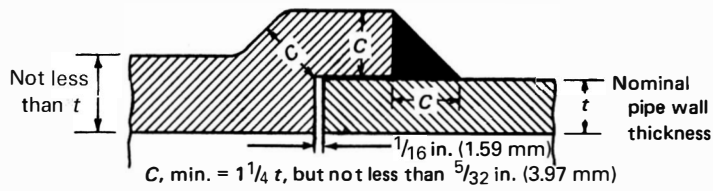
(b) Butt Welding Flange



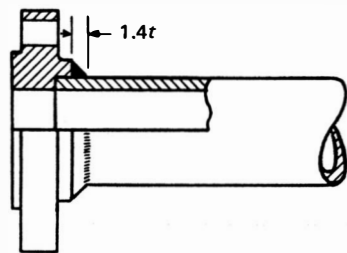
(c) Front and Back Weld



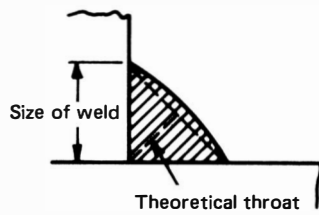
(d) Face and Back Weld



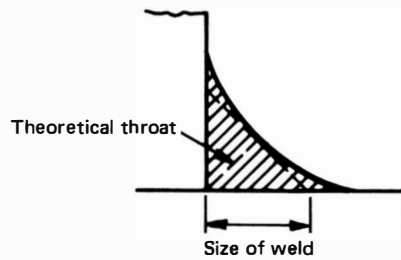
(e) Socket Welding Only



(f) Socket Welding Flange



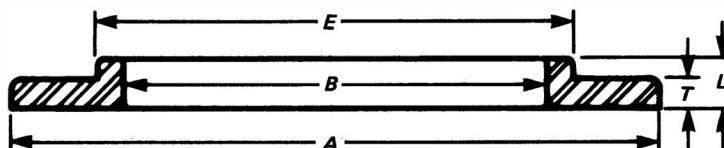
(g) Convex Fillet Weld



(h) Concave Fillet Weld

Table I-1
Lightweight Flanges

(22)



Nominal Pipe Size	Outside Diameter, A	Minimum Thickness, T	Inside Diameter, B [Note (1)]	Length of Hub, L	Outside Diameter of Hub, E	Drilling Template			Approximate Weight Each, lb
						Number of Bolts	Diameter and Length of Bolts	Diameter of Bolt Circle	
6	11	$\frac{9}{16}$	6.72	$1\frac{1}{4}$	$7\frac{9}{16}$	8	$\frac{3}{4} \times 2\frac{1}{4}$	$9\frac{1}{2}$	13
8	$13\frac{1}{2}$	$\frac{9}{16}$	8.72	$1\frac{1}{4}$	$9\frac{11}{16}$	8	$\frac{3}{4} \times 2\frac{1}{4}$	$11\frac{3}{4}$	18
10	16	$\frac{11}{16}$	10.88	$1\frac{1}{4}$	12	12	$\frac{7}{8} \times 2\frac{1}{2}$	$14\frac{1}{4}$	26
12	19	$\frac{11}{16}$	12.88	$1\frac{1}{4}$	$14\frac{3}{8}$	12	$\frac{7}{8} \times 2\frac{1}{2}$	17	42
14	21	$\frac{3}{4}$	14.14	$1\frac{1}{4}$	$15\frac{3}{4}$	12	$1 \times 2\frac{3}{4}$	$18\frac{3}{4}$	44
16	$23\frac{1}{2}$	$\frac{3}{4}$	16.16	$1\frac{1}{4}$	18	16	$1 \times 2\frac{3}{4}$	$21\frac{1}{4}$	58
18	25	$\frac{3}{4}$	18.18	$1\frac{1}{4}$	$19\frac{7}{8}$	16	$1\frac{1}{8} \times 3$	$22\frac{3}{4}$	59
20	$27\frac{1}{2}$	$\frac{3}{4}$	20.20	$1\frac{1}{4}$	22	20	$1\frac{1}{8} \times 3$	25	69
22	$29\frac{1}{2}$	1	22.22	$1\frac{3}{4}$	$24\frac{1}{4}$	20	$1\frac{1}{4} \times 3\frac{1}{2}$	$27\frac{1}{4}$	76
24	32	1	24.25	$1\frac{3}{4}$	$26\frac{1}{8}$	20	$1\frac{1}{4} \times 3\frac{1}{2}$	$29\frac{1}{2}$	113
26	$34\frac{1}{4}$	1	26.25	$1\frac{3}{4}$	$28\frac{1}{2}$	24	$1\frac{1}{4} \times 3\frac{1}{2}$	$31\frac{3}{4}$	126
28	$36\frac{1}{2}$	1	28.25	$1\frac{3}{4}$	$30\frac{1}{2}$	28	$1\frac{1}{4} \times 3\frac{1}{2}$	34	139
30	$38\frac{3}{4}$	1	30.25	$1\frac{3}{4}$	$32\frac{1}{2}$	28	$1\frac{1}{4} \times 3\frac{1}{2}$	36	152
32	$41\frac{3}{4}$	$\frac{1}{8}$	32.25	$1\frac{3}{4}$	$34\frac{3}{4}$	28	$1\frac{1}{2} \times 4$	$38\frac{1}{2}$	206
34	$43\frac{3}{4}$	$\frac{1}{8}$	34.25	$1\frac{3}{4}$	$36\frac{3}{4}$	32	$1\frac{1}{2} \times 4$	$40\frac{1}{2}$	217
36	46	$\frac{1}{8}$...	$1\frac{3}{4}$	$38\frac{3}{4}$	32	$1\frac{1}{2} \times 4$	$42\frac{3}{4}$	234
38	$48\frac{3}{4}$	$\frac{1}{8}$...	$1\frac{3}{4}$	$40\frac{3}{4}$	32	$1\frac{1}{2} \times 4$	$45\frac{1}{4}$	264
40	$50\frac{3}{4}$	$\frac{1}{8}$...	$1\frac{3}{4}$	43	36	$1\frac{1}{2} \times 4$	$47\frac{1}{4}$	280
42	53	$\frac{1}{4}$...	$1\frac{3}{4}$	45	36	$1\frac{1}{2} \times 4\frac{1}{4}$	$49\frac{1}{2}$	328
44	$55\frac{1}{4}$	$\frac{1}{4}$...	$2\frac{1}{4}$	47	40	$1\frac{1}{2} \times 4\frac{1}{4}$	$51\frac{3}{4}$	349
46	$57\frac{1}{4}$	$\frac{1}{4}$...	$2\frac{1}{4}$	49	40	$1\frac{1}{2} \times 4\frac{1}{4}$	$53\frac{3}{4}$	363
48	$59\frac{1}{2}$	$\frac{3}{8}$...	$2\frac{1}{2}$	51	44	$1\frac{1}{2} \times 4\frac{1}{2}$	56	426
50	$61\frac{3}{4}$	$\frac{3}{8}$...	$2\frac{1}{2}$	53	44	$1\frac{3}{4} \times 4\frac{3}{4}$	$58\frac{1}{4}$	451
52	64	$\frac{3}{8}$...	$2\frac{1}{2}$	55	44	$1\frac{3}{4} \times 4\frac{3}{4}$	$60\frac{1}{2}$	477
54	$66\frac{1}{4}$	$\frac{3}{8}$...	$2\frac{1}{2}$	57	44	$1\frac{3}{4} \times 4\frac{3}{4}$	$62\frac{3}{4}$	504
60	73	$\frac{1}{2}$...	$2\frac{3}{4}$	63	52	$1\frac{3}{4} \times 5$	$69\frac{1}{4}$	643
66	80	$\frac{1}{2}$...	$2\frac{3}{4}$	69	52	$1\frac{3}{4} \times 5$	76	754
72	$86\frac{1}{2}$	$\frac{1}{2}$...	$2\frac{3}{4}$	75	60	$1\frac{3}{4} \times 5$	$82\frac{1}{2}$	846

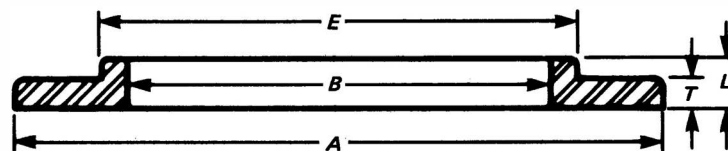
GENERAL NOTES:

- (a) Lightweight flanges are flat faced and designed for use with full-face gasket or asbestos-sheet gasket extending to the bolt holes.
 (b) Maximum pressure for lightweight flanges is 25 psi; drilling is the same as Class 125 standard.
 (c) This Table encompasses forged and rolled steel; for further information, refer to ASTM A105.
 (d) All dimensions in this Table are in inches, unless otherwise noted.

NOTE: (1) For nominal pipe sizes 36 through 72, the inside diameter, B, shall be as specified by the purchaser.

Table I-1M
Lightweight Flanges (Metric Dimensions)

(22)



Nominal Pipe Size	Outside Diameter, <i>A</i>	Minimum Thickness, <i>T</i>	Inside Diameter, <i>B</i> [Note (1)]	Length of Hub, <i>L</i>	Outside Diameter of Hub, <i>E</i>	Drilling Template			Approximate Weight Each, kg
						Number of Bolts	Diameter and Length of Bolts	Diameter of Bolt Circle	
DN 150	279.4	14.29	170.69	31.75	192.09	8	19.05 × 57.15	241.3	5.9
DN 200	342.9	14.29	221.49	31.75	246.06	8	19.05 × 57.15	298.5	8.2
DN 250	406.4	17.46	276.35	31.75	304.80	12	22.23 × 63.50	362.0	11.8
DN 300	482.6	17.46	327.15	31.75	365.13	12	22.23 × 63.50	431.8	19.1
DN 350	533.4	19.05	359.16	31.75	400.05	12	25.40 × 69.85	476.3	20.0
DN 400	596.9	19.05	410.46	31.75	457.20	16	25.40 × 69.85	539.8	26.3
DN 450	635.0	19.05	461.77	31.75	504.83	16	28.58 × 76.20	577.9	26.8
DN 500	698.5	19.05	513.08	31.75	558.80	20	28.58 × 76.20	635.0	31.3
DN 550	749.3	25.40	564.39	44.45	615.95	20	31.75 × 88.90	692.2	34.5
DN 600	812.8	25.40	615.95	44.45	663.58	20	31.75 × 88.90	749.3	51.3
DN 650	870.0	25.40	666.75	44.45	723.90	24	31.75 × 88.90	806.5	57.2
DN 700	927.1	25.40	717.55	44.45	774.70	28	31.75 × 88.90	863.6	63.0
DN 750	984.3	25.40	768.35	44.45	825.50	28	31.75 × 88.90	914.4	68.9
DN 800	1 060.5	28.58	819.15	44.45	882.65	28	38.10 × 101.60	977.9	93.4
DN 850	1 111.3	28.58	869.95	44.45	933.45	32	38.10 × 101.60	1 028.7	98.4
DN 900	1 168.4	28.58	...	44.45	984.25	32	38.10 × 101.60	1 085.9	106.1
DN 950	1 238.3	28.58	...	44.45	1 035.05	32	38.10 × 101.60	1 149.4	119.7
DN 1000	1 289.1	28.58	...	44.45	1 092.20	36	38.10 × 101.60	1 200.2	127.0
DN 1050	1 346.2	31.75	...	44.45	1 143.00	36	38.10 × 107.95	1 257.3	148.8
DN 1100	1 403.4	31.75	...	57.15	1 193.80	40	38.10 × 107.95	1 314.5	158.3
DN 1150	1 454.2	31.75	...	57.15	1 244.60	40	38.10 × 107.95	1 365.3	164.7
DN 1200	1 511.3	34.93	...	63.50	1 295.40	44	38.10 × 114.30	1 422.4	193.2
DN 1250	1 568.5	34.93	...	63.50	1 346.20	44	44.45 × 120.65	1 479.6	204.6
DN 1300	1 625.6	34.93	...	63.50	1 397.00	44	44.45 × 120.65	1 536.7	216.4
DN 1350	1 682.8	34.93	...	63.50	1 447.80	44	44.45 × 120.65	1 593.9	228.6
DN 1500	1 854.2	38.10	...	69.85	1 600.20	52	44.45 × 127.00	1 759.0	291.7
DN 1650	2 032.0	38.10	...	69.85	1 752.60	52	44.45 × 127.00	1 930.4	342.0
DN 1800	2 197.1	38.10	...	69.85	1 905.00	60	44.45 × 127.00	2 095.5	383.7

GENERAL NOTES:

- (a) Lightweight flanges are flat faced and designed for use with full-face gasket or asbestos-sheet gasket extending to the bolt holes.
 (b) Maximum pressure for lightweight flanges is 172 kPa; drilling is the same as Class 125 standard.
 (c) This Table encompasses forged and rolled steel; for further information, refer to ASTM A105.
 (d) All dimensions in this Table are in millimeters, unless otherwise noted.

NOTE: (1) For nominal pipe sizes DN 900 through DN 1800, the inside diameter, *B*, shall be as specified by the purchaser.

NONMANDATORY APPENDIX J COMMONLY USED CONVERSION FACTORS¹

See [Tables J-1](#) and [J-2](#) on the following pages.

¹Extracted partially from ASME SI-1.

Table J-1
Commonly Used Conversion Factors

Quantity	Conversion	Factor
Plane angle	deg to rad	1.745329 E-02
Length	in. to m	2.54 E-02 [Note (1)]
	ft to m	3.048 E-01 [Note (1)]
	mile to m	1.609344 E+03 [Note (1)]
Area	in. ² to m ²	6.451600 E-04 [Note (1)]
	ft ² to m ²	9.290304 E-02 [Note (1)]
Volume	ft ³ to m ³	2.831685 E-02
	U.S. gal to m ³	3.785412 E-03
	in. ³ to m ³	1.638706 E-05
	oz (fluid, U.S.) to m ³	2.957353 E-05
	liter to m ³	1.000000 E-03
Velocity	ft/min to m/s	5.08 E-03 [Note (1)]
	ft/sec to m/s	3.048 E-01 [Note (1)]
	km/h to m/s	2.777778 E-01
	mph to m/s	4.4704 E-01 [Note (1)]
	mph to km/h	1.609344 E+00 [Note (1)]
Mass	oz (avoir) to kg	2.834952 E-02
	lb (avoir) to kg	4.535924 E-01
	slug to kg	1.459390 E+01
Acceleration	ft/sec ² to m/s ²	3.048 E-01 [Note (1)]
	std. grav. to m/s ²	9.80665 E+00 [Note (1)]
Force	kgf to N	9.80665 E+00 [Note (1)]
	lbf to N	4.448222 E+00
	poundal to N	1.382550 E-01
Bending, torque	kgf·m to N·m	9.80665 E+00 [Note (1)]
	lbf-in. to N·m	1.129848 E-01
	lbf-ft to N·m	1.355818 E+00
Pressure [Note (1)]	psi to bar	6.894757 E-02
	Pa to bar	1.000 E-05
	kPa to bar	1.000 E-02
Stress [Note (1)]	psi to MPa	6.894757 E-03
	kips/in. ² to MPa	6.894757 E+00
	N/mm ² to MPa	1.000 E+00
Energy, work	Btu (IT) to J	1.055056 E+03
	Calorie (IT) to J	4.1868 E+00 [Note (1)]
	lbf-ft to J	1.355818 E+00
Power	hp (550 ft lbf/sec) to W	7.456999 E+02

Table J-1
Commonly Used Conversion Factors (Cont'd)

Quantity	Conversion	Factor
Temperature [Note (1)]	°C to K	$t_K = t_C + 273.15$
	°F to K	$t_K = (t_F + 459.67)/1.8$
	°F to °C	$t_C = (t_F - 32)/1.8$
Temperature interval	°C to K	1.0 E+00 [Note (1)]
	°F to K or °C	5.555556 E-01

GENERAL NOTES:

- (a) For other commonly used conversion factors, refer to IEEE/ASTM SI 10.
- (b) The factors are written as a number greater than 1 and less than 10 with six or fewer decimal places. The number is followed by the letter E (for exponent), a plus or minus symbol, and two digits that indicate the power of 10 by which the number must be multiplied to obtain the correct value. For example,

$$1.745329 \text{ E} - 02 \text{ is } 1.745329 \times 10^{-2} \text{ or } 0.01745329$$

NOTE: (1) Relationships are exact in terms of the base units.

Table J-2
List of SI Units for Use With ASME B31.8 Code

Quantity	Unit [Note (1)]	Symbol	Other Units or Limitations
Space and Time			
plane angle	radian	rad	degree (decimalized)
solid angle	steradian	sr	...
length	meter	m	nautical mile (navigation only)
area	square meter	m ²	...
volume	cubic meter	m ³	liter (L) for liquid only (limit use to L and mL; cc shall not be used)
time	second	s	minute (min), hour (h), day (d), week, and year
angular velocity	radian per second	rad/s	...
velocity	radian per second	rad/s	kilometer per hour (km/h) for vehicle speed, knot for navigation only
Periodic and Related Phenomena			
frequency	hertz	Hz	(hertz = cycle per second)
rotational speed	radian per second	rad/s	revolutions per second (r/s), revolutions per minute (r/min)
Mechanics			
mass	kilogram	kg	...
density	kilogram per cubic meter	kg/m ³	...
momentum	kilogram-meter per second	kg·m/s	...
moment of momentum	kilogram-square meter per second	kg·m ² /s	...
angular momentum	kilogram-square meter per second	kg·m ² /s	...
acceleration	meter per second squared	m/s ²	...
moment of inertia	kilogram-square meter	kg·m ²	...
force	newton	N	...
moment of force (torque)	newton-meter	N·m	...
pressure	bar	bar	(pascal = newton per square meter)
stress	megapascal	MPa	...
viscosity (dynamic)	pascal-second	Pa·s	...
viscosity (kinematic)	square meter per second	m ² /s	...
surface tension	newton per meter	N/m	...
energy, work	joule	J	kilowatt-hour (kW·h)
power	watt	W	...
impact strength	joule	J	...
Heat			
temperature: thermo- dynamic [Note (2)]	kelvin	K	degree Celsius (°C)
temperature: other than thermodynamic [Note (2)]	degree Celsius	°C	kelvin (K)
linear expansion coefficient	meter per meter-kelvin	K ⁻¹	°C ⁻¹ ; mm/(mm·K)
quantity of heat	joule	J	...
heat flow rate	watt	W	...
density of heat flow rate	watt per meter squared	W/m ²	...

Table J-2
List of SI Units for Use With ASME B31.8 Code (Cont'd)

Quantity	Unit [Note (1)]	Symbol	Other Units or Limitations
Heat (Cont'd)			
thermal conductivity	watt per meter-kelvin	W/(m·K)	W/(m·°C)
coefficient of heat transfer	watt per meter-squared-kelvin	W/(m ² ·K)	W/(m ² ·°C)
heat capacity	joule per kelvin	J/K	J/°C
specific heat capacity	joule per kilogram-kelvin	J/(kg·K)	J/(kg·°C)
specific energy	joule per kilogram	J/kg	...
specific enthalpy	kilojoule per kilogram	kJ/kg	...
specific entropy	kilojoule per kelvin-kilogram	kJ/(K·kg)	...
heat rate	kilojoule per kilowatt second	kJ/(kW·s)	...
Electricity and Magnetism			
electric current	ampere	A	...
electric charge	coulomb	C	...
volume density of charge	coulomb per meter cubed	C/m ³	...
surface density of charge	coulomb per meter squared	C/m ²	...
electric field of strength	volt per meter	V/m	...
electric potential	volt	V	...
capacitance	farad	F	...
current density	ampere per meter squared	A/m ²	...
magnetic field strength	ampere per meter	A/m	...
magnetic flux density	tesla	T	...
magnetic flux	weber	Wb	...
self-inductance	henry	H	...
permeability	henry per meter	H/m	...
magnetization	ampere per meter	A/m	...

GENERAL NOTES:

(a) For other commonly used conversion factors, refer to IEEE/ASTM SI 10.

(b) The factors are written as a number greater than 1 and less than 10 with six or fewer decimal places. The number is followed by the letter E (for exponent), a plus or minus symbol, and two digits that indicate the power of 10 by which the number must be multiplied to obtain the correct value. For example,

$$1.745\ 329\text{E} - 02 \text{ is } 1.745\ 329 \times 10^{-2} \text{ or } 0.017\ 453\ 29$$

(c) Relationships are exact in terms of the base units.

NOTES:

(1) Conversion factors between SI and U.S. Customary units are given in IEEE/ASTM SI 10.

(2) Preferred use for temperature and temperature interval is degrees Celsius (°C), except for thermodynamic and cryogenic work where kelvins may be more suitable. For temperature interval, 1 K = 1°C exactly.

NONMANDATORY APPENDIX L DETERMINATION OF REMAINING STRENGTH OF CORRODED PIPE

For steel pipelines, the remaining strength of corroded pipe may be determined in accordance with ASME B31G, Manual for Determining the Remaining Strength of Corroded Pipelines.

NONMANDATORY APPENDIX M GAS LEAKAGE CONTROL CRITERIA¹

M-1 SCOPE

This Appendix provides criteria for detection, grading, and control of gas leakage.

M-2 DEFINITIONS (APPLICABLE TO THIS APPENDIX ONLY)

bar hole: hole that is made in the soil or paving for the specific purpose of testing the subsurface atmosphere with a combustible gas indicator (CGI).

building: any structure that is normally or occasionally entered by humans for business, residential, or other purposes, and in which gas could accumulate.

combustible gas indicator (CGI): a device capable of detecting and measuring gas concentrations of the atmosphere.

confined space: any subsurface structure, such as vaults, catch basins, or manholes, of sufficient size to accommodate a person and in which gas could accumulate.

follow-up inspection: an inspection performed after a repair has been completed to determine the effectiveness of the repair.

gas associated substructure: a device or facility used by a gas company such as a valve box, vault, test box, or vented casing pipe, which is not intended for storing, transmitting, or distributing gas.

LEL: the lower explosive limit of the gas being transported.

prompt action: consists of dispatching qualified personnel without delay for evaluating and, where necessary, abating the existing or probable hazard.

reading: repeatable deviation on a CGI or equivalent instrument, expressed in LEL. Where the reading is in an unvented confined space, consideration should be given to the rate of dissipation when the space is ventilated and the rate of accumulation when the space is resealed.

small substructures (other than gas associated substructures): any subsurface structures that are of insufficient size to accommodate a person, such as telephone and electrical ducts and conduit or nongas-associated valve and meter boxes, and in which gas could accumulate or migrate.

tunnel: a subsurface passageway large enough for a person to enter and in which gas could accumulate.

M-3 LEAKAGE SURVEY AND TEST METHODS

(a) The following gas leakage surveys and test methods may be employed, as applicable, singly or in combination, in accordance with written procedures:

- (1) surface gas detection survey
- (2) subsurface gas detector survey (including bar hole surveys)
- (3) vegetation survey
- (4) pressure drop test
- (5) bubble leakage test
- (6) ultrasonic leakage test

Other survey and test methods may be employed if they are deemed appropriate and are conducted in accordance with procedures that have been tested and proven to be at least equal to the methods listed in this section.

(b) *Surface Gas Detection Survey*

(1) *Definition*. This survey is a continuous sampling of the atmosphere at or near ground level for buried gas facilities and adjacent to aboveground gas facilities with a gas detector system capable of detecting a concentration of 50 ppm of gas in air at any sampling point.

(2) *Procedure*. Equipment used to perform these surveys may be portable or mobile. For buried piping, sampling of the atmosphere shall take place, where practical, at no more than 2 in. (50 mm) above the ground surface. In areas where the piping is under pavement, samplings shall also be at curb line(s), available ground surface openings (such as manholes, catch basins, sewer, power, and telephone duct openings, fire and traffic signal boxes, or cracks in the pavement or sidewalk), or other interfaces where the venting of gas is likely to occur. Sampling shall be adjacent to the exposed piping.

(3) *Utilization*. The use of this survey method may be limited by adverse conditions (such as excessive wind, excessive soil moisture, or surface sealing by ice or water).

The survey shall be conducted at speeds slow enough to allow an adequate sample to be continuously obtained by placement of equipment intakes over the most logical venting locations, giving consideration to the location of gas facilities and any adverse conditions that may exist.

¹See [para. 852.2](#).

(c) Subsurface Gas Detection Survey

(1) Definition. This survey is a sampling of the subsurface atmosphere with a combustible gas indicator (CGI) or other device capable of detecting 0.5% gas in air at the sample point.

(2) Procedure. The survey shall be conducted by performing tests with a CGI in a series of available openings (confined spaces and small substructures) and/or bar holes over, or adjacent to, the gas facility. The location of the gas facility and its proximity to buildings and other structures shall be considered in the spacing of the sample points. Sampling points shall be as close as possible to the main or pipeline and never farther than 15 ft (4.6 m) laterally from the facility. Along the route of the main or pipeline, sampling points shall be placed at twice the distance between the pipeline and the nearest building wall, or at 30 ft (9.1 m), whichever is shorter, but in no case need the spacing be less than 10 ft (3.0 m). The sampling pattern shall include sample points adjacent to service taps, street intersections, and known branch connections as well as sampling points over or adjacent to buried service lines at the building wall.

(3) Utilization

(-a) Good judgment shall be used to determine when available openings (such as manholes, vaults, or valve boxes) are sufficient to provide an adequate survey. When necessary, additional sample points (bar holes) shall be made.

(-b) Sampling points shall be of sufficient depth to sample directly within the subsurface or substructure atmosphere.

(d) Vegetation Survey

(1) Definition. This survey uses visual observations to detect abnormal or unusual indications in vegetation.

(2) Procedure. All visual indications shall be evaluated using a combustible gas indicator (CGI). Personnel performing these surveys shall have good all-around visibility of the area being surveyed, and their speed of travel shall be determined by taking into consideration the following:

- (-a)* system layout
- (-b)* amount and type of vegetation
- (-c)* visibility conditions (such as lighting, reflected light, distortions, terrain, or obstructions)

(3) Utilization

(-a) This survey method shall be limited to areas where adequate vegetation growth is firmly established.

(-b) This survey shall not be conducted under the following conditions:

- (-1)* soil moisture content abnormally high
- (-2)* vegetation dormant
- (-3)* vegetation in an accelerated growth period, such as in early spring

(-c) Other acceptable survey methods shall be used for locations within a vegetation survey area where vegetation is not adequate to indicate the presence of leakage.

(e) Pressure Drop Test

(1) Definition. A test to determine if an isolated segment of pipeline loses pressure due to leakage.

(2) Procedure. Facilities selected for pressure drop tests shall first be isolated and then tested. The following criteria shall be considered in determining test parameters:

(-a) Test Pressure. A test conducted on existing facilities solely to detect leakage shall be performed at a pressure at least equal to the operating pressure.

(-b) Test Medium. The test medium used must comply with the requirements of [para. 841.3](#).

(-c) Test Duration. The duration of the test shall be of sufficient length to detect leakage. The following shall be considered in the determination of the duration:

- (-1)* volume under test
- (-2)* time required for the test medium to become temperature stabilized
- (-3)* sensitivity of the test instrument

(3) Utilization. Pressure drop tests shall be used only to establish the presence or absence of a leak on a specifically isolated segment of a pipeline. Normally, this type of test will not provide a leak location; therefore, facilities on which leakage is indicated may require further evaluation by another detection method so that the leak may be located, evaluated, and graded.

(f) Bubble Leakage Test

(1) Definition. The application of a soapy water or other bubble-forming solutions on exposed piping to determine the existence of a leak.

(2) Procedure. The exposed piping systems shall be reasonably cleaned and completely coated with the solution. Leaks are indicated by the presence of bubbles. The bubble-forming solution shall not be used on piping unless it has been determined by investigation or test that the piping is adequately resistant to direct contact with the solution.

(3) Utilization. This test method may be used for the following:

(-a) testing exposed aboveground portions of a system (such as meter set assemblies or exposed piping or bridge crossings)

(-b) testing a tie-in joint or leak repair that is not included in a pressure test

(g) Ultrasonic Leakage Test

(1) Definition. The testing of exposed piping facilities with an instrument capable of detecting the ultrasonic energy generated by escaping gas. The instrument used shall be suitable for the pressure involved.

(2) Procedure. In the testing of a gas facility by this method, the following shall be considered:

Table M-4-1
Leak Detection Instruments: Type and General Usage

Instrument Type		Lower Sensitivity Level			Upper Sensitivity Level			Sampling Method	Sample Flow Rate
Surface Survey	Subsurface Survey	PPM [Note (1)]	% LEL	% Gas	PPM [Note (1)]	% LEL	% Gas		
...	Catalytic type (hotwire % LEL)	5,000	10	5	50,000	100	5 [Note (2)]	Hand aspirated	...
...	Thermal conductivity (% gas)	25,000	50	2.5	100	Hand aspirated	...
Amplified thermal conductivity	...	50	1	25 [Note (2)]	Pump	0.8 gal/min (3 L/min)
Infrared detector	...	5	1,000	2	0.1	Pump	0.5-1.3 gal/min (2-5 L/min)
Hydrogen flame [Note (3)] ionization detector	...	1	10,000 to 50,000	20 to 100	1 to 5	Pump	0.5-1.3 gal/min (2-5 L/min)

GENERAL NOTE: The PPM, percent LEL, and percent gas values shown are for methane concentrations. Where other gases (such as liquefied petroleum gas or manufactured gas) are involved, appropriate adjustment shall be made to be commensurate with the criteria of these procedures.

NOTES:

- (1) PPM = parts per million.
- (2) When the maximum concentration detectable is exceeded, the needle of the instrument meter will drop to zero or below.
- (3) Upper sensitivity level varies with different models.

(-a) *Line Pressure.* As the line pressure increases, the magnitude of the ultrasonic energy generated by a leak increases.

(-b) *Location of Facility.* Objects near or surrounding a facility being tested may reflect or attenuate the ultrasonic energy generated, making it difficult to detect or pinpoint the leak.

(-c) *Leak Frequency.* A number of leaks in a given area can create a high ultrasonic background level that may reduce the detection capabilities of this type of test.

(-d) *Type of Facility.* Pneumatic and gas-operated equipment generate ultrasonic energy. The location and amount of this type of equipment shall be known to determine if the ultrasonic background is too high.

Personnel conducting this test shall scan the entire area to eliminate the tracking of reflected indications.

Ultrasonic indications of leakage shall be verified and/or pinpointed by one of the other acceptable survey or test methods.

(3) *Utilization.* The ultrasonic test may be used for the testing of exposed piping facilities; however, if the ultrasonic background level produces a full-scale meter reading when the gain is set at midrange, the facility shall be tested by some other survey method.

M-4 TYPICALLY AVAILABLE INSTRUMENTS FOR THE DETECTION OF GAS

(a) *Type and General Usage.* A listing of generally available instruments and their type of usage is shown in Table M-4-1.

(b) *Maintenance of Instruments.* Each instrument used for leak detection and evaluation shall be operated in accordance with the manufacturer's recommended operating instructions and

(1) shall be periodically "checked" while in use to ensure that the recommended voltage requirements are available

(2) shall be tested daily or prior to use to ensure proper operation, and to determine that the sampling system is free of leakage and that the filters are not obstructing the sample flow

(3) hydrogen flame ionization (HFI) systems shall be tested at each startup and periodically during a survey

(c) *Calibration of Instruments.* Each instrument used for leak detection and evaluation shall be calibrated in accordance with the manufacturer's recommended calibration instructions

(1) after any repair or replacement of parts.

(2) on a regular schedule, giving consideration to the type and usage of the instrument involved. HFI systems and CGI instruments shall be checked for calibration at least once each month while in use.

(3) at any time it is suspected that the instrument's calibration has changed.

M-5 LEAKAGE CLASSIFICATION AND ACTION CRITERIA

M-5.1 General

The following establishes a procedure by which leakage indications of flammable gas can be graded and controlled. When evaluating any gas leak indication, the preliminary step is to determine the perimeter of the leak area. When this perimeter extends to a building wall, the investigation shall continue into the building.

M-5.2 Leak Grades

Based on an evaluation of the location and/or magnitude of a leak, one of the following leak grades shall be assigned, thereby establishing the leak repair priority:

(a) Grade 1 is a leak that represents an existing or probable hazard to persons or property and requires immediate repair or continuous action until the conditions are no longer hazardous.

(b) Grade 2 is a leak that is recognized as being non-hazardous at the time of detection but requires scheduled repair based on probable future hazard.

(c) Grade 3 is a leak that is nonhazardous at the time of detection and can be reasonably expected to remain non-hazardous.

M-5.3 Leak Classification and Action Criteria

Criteria for leak classification and leakage control are provided in [Tables M-5.3-1](#), [M-5.3-2](#), and [M-5.3-3](#). The examples of leak conditions provided in the tables are presented as guidelines and are not exclusive. The judgment of the operating company personnel at the scene is of primary importance in determining the grade assigned to a leak.

M-5.4 Reevaluation of a Leak

When a leak is to be reevaluated (see Action Criteria in [Tables M-5.3-2](#) and [M-5.3-3](#)), it shall be classified using the same criteria as when the leak was first discovered.

M-6 PINPOINTING

M-6.1 Scope

Pinpointing is a systematic process of tracing a detected gas leak to its source. Use of the following procedures as appropriate shall prevent unnecessary excavation, which is more time consuming than pinpointing a leak.

M-6.2 Procedure

(a) Determine the migration of gas by establishing the outer boundaries of the indications. This will define the area in which the leak will normally be located. These tests shall be made with a CGI without expending excessive effort providing sample points.

(b) Locate all gas lines to narrow the area of search, giving particular attention to the location of valves, fittings, tees, and stubs. Connections have a relatively high probability of leakage. Caution shall be exercised to prevent damage to other underground structures during barring or excavating.

(c) Identify foreign facilities in the area of search. Look for evidence of recent construction activities that could have contributed to the leakage. Gas may also migrate and vent along a trench provided for other facilities.

(d) Place evenly spaced bar or test holes over the suspected leaking gas line and trace the gas to its source by identifying the test holes with the highest readings. All bar holes shall be of equal depth and diameter and down to the pipe depth where necessary to obtain consistent and worthwhile readings. All CGI readings shall be taken at an equal depth. Only the highest sustained readings shall be used.

(e) High readings are found frequently in more than one adjacent bar hole, and additional techniques are necessary to determine which reading is closest to the probable source. Many of the bar hole readings will normally decline over a period of time, but it may be desirable to dissipate excess gas from the underground locations to hasten this process. Evaluation methods shall be used with caution to avoid the distorting of the venting patterns.

(f) Once the underground leakage has been identified, additional holes and deeper holes shall be probed to bracket the area more closely. For example, test holes may be spaced 6 ft (1.8 m) apart initially. The 6 ft (1.8 m) spacing between the two highest test holes may then be probed with additional test holes with spacing as close as 12 in. (300 mm).

(g) Additional tests include taking CGI readings at the top of a bar hole or using a manometer or bubble-forming solution to determine which bar hole has the greatest positive flow. Other indications are dust particles blowing from the bar holes, the sound of gas coming from the bar hole, or the feel of gas flow on a sensitive skin surface. On occasion, sunlight refraction can be observed as the gas vents to the atmosphere.

(h) When gas is found in an underground conduit, tests at available openings may be used to isolate the source in addition to the techniques previously mentioned. Many times the leak is found at the intersection of the foreign conduit and a gas line, and particular attention shall be given to these locations.

Table M-5.3-1
Leak Classification and Action Criteria: Grade 1

Grade	Definition	Action Criteria	Examples
1	A leak that represents an existing or probable hazard to persons or property, and requires immediate repair or continuous action until the conditions are no longer hazardous	Requires <i>prompt action</i> [Note (1)] to protect life and property, and continuous action until the conditions are no longer hazardous	<ul style="list-style-type: none"> (1) any leak that, in the judgment of operating personnel at the scene, is regarded as an immediate hazard (2) escaping gas that has ignited (3) any indication of gas that has migrated into or under a building or into a tunnel (4) any reading at the outside wall of a building, or where gas would likely migrate to an outside wall of a building (5) any reading of 80% LEL, or greater in a confined space (6) any reading of 80% LEL, or greater in small substructures (other than gas associated substructures) from which gas would likely migrate to the outside wall of a building (7) any leak that can be seen, heard, or felt, and that is in a location that may endanger the general public or property

NOTE: (1) The prompt action in some instances may require one or more of the following:

- (a) implementing company emergency plan (see para. 850.4)
- (b) evacuating premises
- (c) blocking off an area
- (d) rerouting traffic
- (e) eliminating sources of ignition
- (f) venting the area
- (g) stopping the flow of gas by closing valves or other means
- (h) notifying police and fire departments

(i) When the pattern of the CGI readings has stabilized, the bar hole with the highest reading will usually pinpoint the gas leak.

(j) When and where piping has been exposed, test with bubble-forming solution, particularly to locate smaller leaks.

M-6.3 Precautions

(a) Unusual situations, which are unlikely but possible, may complicate these techniques on some occasions. For example, multiple leakage, which gives confusing data, can occur. To eliminate this potential complication, the area shall be rechecked after repairs are completed. Gas may form pockets occasionally and give a strong indication until the cavity in which the pocket has formed has

been vented. Foreign gases, such as gas from decomposed material, occasionally may be encountered. This presence is characterized by fairly constant CGI readings between 15% and 30% of gas in air throughout an area. Landfill areas could, thus, give substantially higher readings. Gas detected in sewer systems shall be considered migrating gas leakage until proven otherwise by test and/or analysis.

(b) When pinpointing leakage where the gas is heavier than air (LP gas), the gas will normally stay low near the pipe level, but may flow downhill. LP gases usually do not diffuse rapidly or migrate widely in the soil so the leak is generally close to the indication. If the gas is venting into a duct or sewer system, it can travel considerable distances.

Table M-5.3-2
Leak Classification and Action Criteria: Grade 2

Grade	Definition	Action Criteria	Examples
2	A leak that is recognized as being nonhazardous at the time of detection, but justifies scheduled repair based on probable future hazard	<p>Leaks shall be repaired or cleared within 1 calendar year, but no later than 15 months from the date the leak was reported. In determining the repair priority, criteria such as the following shall be considered:</p> <p>(1) amount and migration of gas (2) proximity of gas to buildings and subsurface structures (3) extent of pavement (4) soil type and soil conditions (such as frost cap, moisture, and natural venting)</p> <p>Grade 2 leaks shall be reevaluated at least once every 6 months until cleared. The frequency of reevaluation shall be determined by the location and magnitude of the leakage condition.</p> <p>Grade 2 leaks may vary greatly in degree of potential hazard. Some Grade 2 leaks, when evaluated by the above criteria, may justify scheduled repair within the next 5 working days. Others will justify repair within 30 days. During the working day on which the leak is discovered, these situations shall be brought to the attention of the individual responsible for scheduling leak repair.</p> <p>On the other hand, many Grade 2 leaks, because of their location and magnitude, can be scheduled for repair on a normal routine basis with periodic reinspection as necessary.</p>	<p>(1) <i>Leaks Requiring Action Ahead of Ground Freezing or Other Adverse Changes in Venting Conditions.</i> Any leak that, under frozen or other adverse soil conditions, would likely migrate to the outside wall of a building.</p> <p>(2) <i>Leaks Requiring Action Within 6 Months</i></p> <p>(a) any reading of 40% LEL, or greater, under a sidewalk in a wall-to-wall paved area that does not qualify as a Grade 1 leak</p> <p>(b) any reading of 100% LEL, or greater, under a street in a wall-to-wall paved area that has significant gas migration and does not qualify as a Grade 1 leak</p> <p>(c) any reading less than 80% LEL in small substructures (other than gas associated substructures) from which gas would likely migrate creating a probable future hazard</p> <p>(d) any reading between 20% LEL and 80% LEL in a confined space</p> <p>(e) any reading on a pipeline operating at hoop stress levels of 30% SMYS, or greater, in a Class 3 or 4 location, which does not qualify as a Grade 1 leak</p> <p>(f) any reading of 80% LEL, or greater, in gas associated substructures</p> <p>(g) any leak that, in the judgment of operating company personnel at the scene, is of sufficient magnitude to justify scheduled repair</p>

Table M-5.3-3
Leak Classification and Action Criteria: Grade 3

Grade	Definition	Action Criteria	Examples
3	A leak that is nonhazardous at the time of detection and can be reasonably expected to remain nonhazardous.	These leaks shall be reevaluated during the next scheduled survey or within 15 months of the date reported, whichever occurs first, until the leak is regarded or no longer results in a reading.	<p><i>Leaks Requiring Reevaluation at Periodic Intervals</i></p> <p>(1) any reading of less than 80% LEL in small gas associated substructures</p> <p>(2) any reading under a street in areas without wall-to-wall paving where it is unlikely the gas could migrate to the outside wall of a building</p> <p>(3) any reading of less than 20% LEL in a confined space</p>

NONMANDATORY APPENDIX N

RECOMMENDED PRACTICE FOR HYDROSTATIC TESTING OF PIPELINES IN PLACE

N-1 INTRODUCTION

The purpose of the recommended practice is to cite some of the important steps that should be taken in hydrostatic testing of in-place pipelines. It is intended to provide basic guidelines only. The portions of this recommended practice, which covers the determination of the pressure at which the pipe specified minimum yield strength is reached, are only used when such determination is needed. API RP 1110 provides additional guidance.

N-2 PLANNING

(a) All pressure tests shall be conducted with due regard for the safety of people and property. When the test pressure is above 400 psig (2 760 kPa), appropriate precautions shall be taken to keep people not engaged in the testing operations out of the testing area while conducting the hydrostatic test.

(b) *Selection of Test Sections and Test Sites.* The pipeline may need to be divided into sections for testing to isolate areas with different test pressure requirements, or to obtain desired maximum and minimum test pressures due to hydrostatic head differential. The elevation at the test site, the high point and low point of the isolated area, must be known to maintain the specified pressure at the maximum and the minimum elevations.

(c) *Water Source and Water Disposal.* A water source, as well as location(s) for water disposal, should be selected well in advance of the testing. Federal, state, and local regulations should be checked to ensure compliance with respect to usage and/or disposal of the water. In disposing of the water after testing, care should be taken to prevent damage to crops and excessive erosion or contamination of streams, rivers, or other waterbodies including groundwater.

(d) *Ambient Conditions.* Hydrostatic testing in low-temperature conditions may require

(1) heating of test medium.

(2) the addition of freeze point depressants. Caution should be exercised in the handling of freeze point depressants during tests. Disposal of freeze point depressants must be carefully planned and executed.

N-3 FILLING

Filling is normally done with a high-volume centrifugal pump or pumps. Filling should be continuous and be done behind one or more squeegees or spheres to minimize the amount of air in the line. The progress of filling should be monitored by metering the water pump into the pipeline and calculating the volume of line filled.

If necessary, a period of temperature stabilization between the ground and fill water should be provided.

N-4 TESTING

(a) *Pressure Pump.* Normally, a positive displacement reciprocating pump is used for pressurizing the pipeline during test. The flow capacity of the pump should be adequate to provide a reasonable pressurizing rate. The pressure rating of the pump must be higher than the anticipated maximum test pressure.

(b) *Test Heads, Piping, and Valves.* The design pressure of the test heads and piping and the rated pressure of hoses and valves in the test manifold shall be no less than the anticipated test pressure. All equipment should be inspected prior to the test to determine that it is in satisfactory condition.

(c) *Pressurization.* The following is a sequence for pressurization:

(1) Raise the pressure in the section to no more than 80% of anticipated test pressure and hold for a time period to determine that no major leaks exist.

(2) During this time period, monitor the pressure and check the test section for leakage. Repair any major leaks that are found.

(3) After the hold time period, pressurize at a uniform rate to the test pressure. Monitor for deviation from a straight line by use of pressure-volume plots (logs or automatic plotter).

(4) When the test pressure is reached and stabilized from pressuring operations, a hold period may commence. During this period, test medium may be added as required to maintain the minimum test pressure.

N-5 DETERMINATION OF PRESSURE REQUIRED TO PRODUCE YIELDING

(a) *Pressure-Volume Plot Methods.* If monitoring deviation from a straight line with graphical plots, an accurate plot of pressure versus the volume of water pumped into the line may be made either by hand or by automatic plotter. To make a hand plot, the pump strokes are counted to determine volume and plotted against pressure readings. The plot should be started at a pressure low enough to establish accurately the straight-line portion of the pressure-volume plot. The points should be plotted frequently enough so that deviation from the straight-line portion can be detected readily. The deviation from the straight line is the start of the nonlinear portion of the pressure-volume plot and indicates that the elastic limit of some of the pipe within the section has been reached.

(b) Yield for unidentified or used pipe [as limited by para. 841.1.4(a) and allowed under paras. 811.1(f) and 817.1.3(h)] is determined by using the pressure at the highest elevation within a test section, at which the number of pump strokes (measured volume) per increment of pressure rise becomes twice the number of pump strokes (measured volume) per increment of pressure rise that was required during the straight-line part of the pressure-volume plot before any deviation occurs.

(c) For control of maximum test pressure when hoop stress levels exceed 100% SMYS within a test section, one of the following measures may be used:

(1) The pressure at which the number of pump strokes (measured volume) per increment of pressure rise becomes twice the number of pump strokes (measured volume) per increment of pressure rise that was required during the straight-line part of the pressure-volume plot before any deviation occurs.

(2) The pressure shall not exceed the pressure occurring when the number of pump strokes (measured volume) taken after deviation from the straight-line part of the pressure-volume plot, times the volume

per stroke, is equal to 0.002 times the test section fill volume at atmospheric pressure. This represents the average behavior of the test section. Individual pipe lengths may experience greater or smaller expansion based on their respective mechanical properties.

N-6 LEAK TESTING

If, during the hold period, leakage is indicated, the pressure may be reduced while locating the leak. After the leak is repaired, a new hold period must be started at full test pressure.

N-7 RECORDS

(22)

The operating company shall maintain in its file for the useful life of each pipeline and main, records showing the following:

- (a) test medium
- (b) test pressure
- (c) test duration
- (d) test date
- (e) pressure recording chart and pressure log
- (f) pressure versus volume plot (if applicable)
- (g) pressure at high and low elevations
- (h) elevation at point test pressure measured
- (i) person(s) conducting test, operator, and testing contractor, if used
- (j) environmental factors (ambient temperature, raining, snowing, windy, etc.)
- (k) manufacturer (pipe, valves, etc.)
- (l) pipe specifications (SMYS, diameter, nominal wall thickness, etc.)
- (m) clear identification of what is included in each test section
- (n) description of any leaks or failures and their disposition

The above records shall be reviewed to ensure that the requirements of this Code have been met.

NONMANDATORY APPENDIX P NOMENCLATURE FOR FIGURES

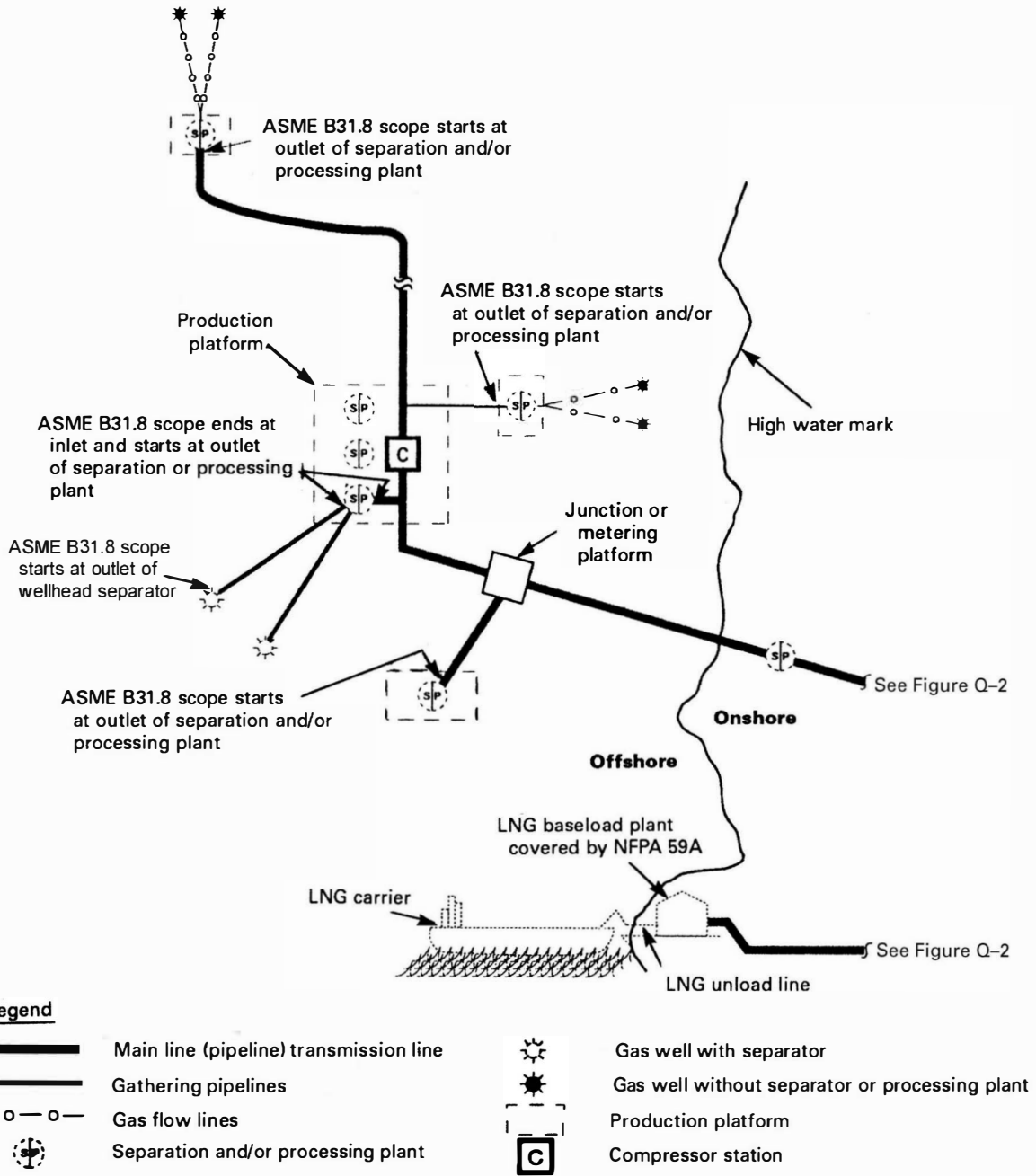
This Appendix is in preparation for a future edition of this Code.

MANDATORY APPENDIX Q SCOPE DIAGRAMS

See [Figures Q-1](#) through [Q-3](#) on the following pages.

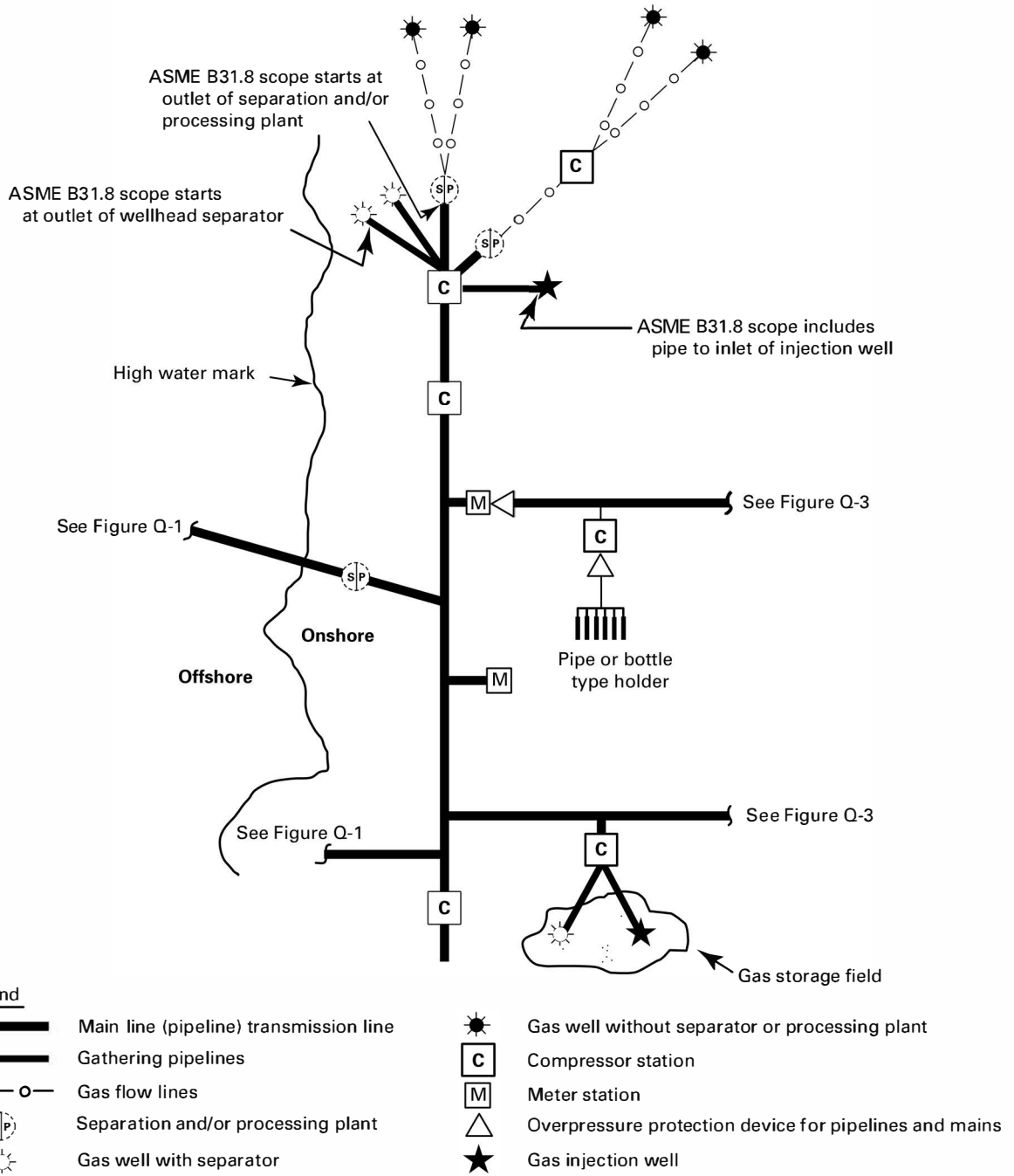
(22)

Figure Q-1
Scope of ASME B31.8 Transmission Piping Offshore



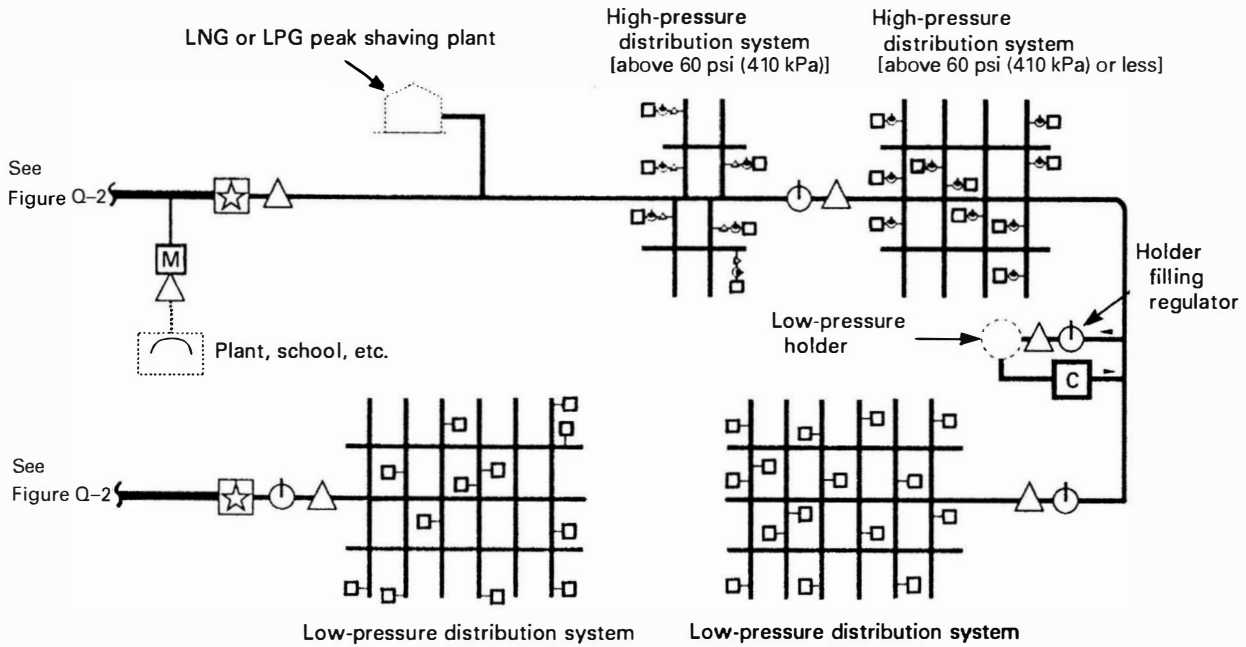
GENERAL NOTE: Facilities and piping indicated by solid lines are within the scope of this Code.

Figure Q-2
Scope of ASME B31.8 Transmission Piping Onshore





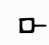



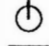
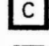



GENERAL NOTE: Facilities and piping indicated by solid lines are within the scope of this Code.

**Figure Q-3
Scope of ASME B31.8 Distribution Piping**



Legend

-  Main line (pipeline) transmission line
-  Gas main or distribution main
-  Gas service line
-  Overpressure protection device for pipelines and mains
-  Service line with meter and no service regulator (low-pressure distribution system)
-  Service line with meter and one service regulator [high-pressure distribution system not over 60 psi (410 kPa)]
-  Service line with meter and service regulator and series regulator or other protection devices [high-pressure distribution system over 60 psi (410 kPa)]
-  City gate measuring and pressure regulating station
-  Distribution pressure regulating station
-  Compressor station
-  Meter station

GENERAL NOTE: Facilities and piping indicated by solid lines are within the scope of this Code.

NONMANDATORY APPENDIX R ESTIMATING STRAIN IN DENTS

R-1 STRAIN

Strain in dents may be estimated using data from deformation in-line inspection (ILI) tools or from direct measurement of the deformation contour. Direct measurement techniques may consist of any method capable of describing the depth and shape terms needed to estimate strain. The strain estimating techniques may differ depending on the type of data available. Interpolation or other mathematical techniques may be used to develop surface contour information from ILI or direct measurement data. Although a method for estimating strain is described herein, it is not intended to preclude the use of other strain estimating techniques (see also [Figure R-1-1](#)).

The user is cautioned that analysis of surface curvatures to determine local strains of deformation can be significantly affected by random error inherent with all geometric measurement techniques. Suitable data smoothing techniques should be employed to minimize the effect of such errors. The user is also cautioned that the strain analysis described here only addresses the potential for metal failure due to excessive local strain. It does not address concerns for the effects of fatigue or other degradation mechanisms. Where detailed profile measurement methods are used, the maximum component strains may not be coincident. The conservative approach would be to assume that they are. The dent shape may be affected by the internal pressure conditions present at the time of measurement, which may in turn affect estimates of local strains.

(22) R-2 ESTIMATING STRAIN

R_0 is the initial pipe surface radius, equal to one-half the pipe nominal diameter. As shown by the transverse profiles in [Figure R-1-1](#), the indentation may be non-reentrant or reentrant. When the indentation is non-reentrant, the curvature of the pipe surface is in the same direction as the original surface curvature, and R_1 takes a positive

value. When the indentation is reentrant, the curvature of the pipe wall is reversed, and R_1 takes a negative value.

Determine the radius of curvature in a longitudinal plane through the indentation shown as R_2 in [Figure R-1-1](#), illustration (c). Other dimensional terms are the nominal wall thickness, t ; the dent depth, d ; and the dent length, L .

(a) Calculate the bending strain in the circumferential direction as

$$\epsilon_1 = (t/2)(1/R_0 - 1/R_1)$$

At the dent apex, the term ϵ_1 is negative representing compression at the outside pipe surface and positive representing tension on the inside pipe surface.

(b) Calculate the bending strain in the longitudinal direction as

$$\epsilon_2 = t/(2R_2)$$

At the dent apex, the term ϵ_2 is negative representing compression at the outside pipe surface and positive representing tension on the inside pipe surface.

(c) Calculate the extensional strain in the longitudinal direction as

$$\epsilon_3 = \left(\frac{1}{2}\right)(d/L)^2$$

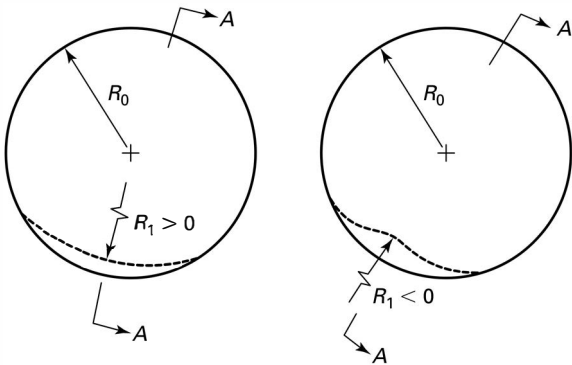
The term ϵ_3 is in tension only. The user is cautioned to avoid overestimating the length dimension, L .

(d) Calculate the strain for the inside and outside pipe surfaces as

$$\epsilon = (2/\sqrt{3}) \left[\epsilon_1^2 + \epsilon_1(\epsilon_2 + \epsilon_3) + (\epsilon_2 + \epsilon_3)^2 \right]^{(1/2)}$$

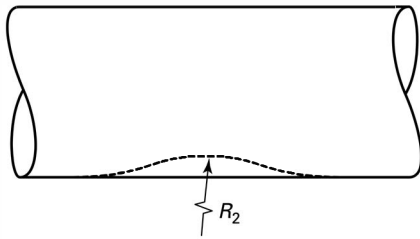
The positive and negative values for ϵ_1 and ϵ_2 must be carried through for determining the combined strain on the inside and outside pipe surfaces.

Figure R-1-1
Method for Estimating Strain in Dents



(a) Non-reentrant

(b) Reentrant



(c) Longitudinal Profile

INDEX

(22)

- Accessibility of vaults, 847.2
- Adhesive joint, 805.1.3
- Air piping system, 843.4.3
- Air receivers, 843.4.3(e)
- Alloy steel, 804.7.2
- Ambient temperature, 805.2.2
- Anchorage for buried piping, 835
- Arc burns
 - elimination of, 841.2.4(e)
- Arctic environment, 865

- Backfilling
 - plastic pipe, 842.3.3(d)
 - steel pipe, 841.2.5(c)
- Bends, elbows, and miters, 841.2.3
- Bends in plastic piping, 842.3.4
- Bottle, 803.8
- Bottle-tight facilities, control of pressure in, 845.2.1
- Bottle-type holder, 803.8
- Branch connection, welded
 - reinforcement of, Figure F-6, App. F
 - rules for reinforcement of, examples, App. F
- Branches in plastic piping, 842.3.4
- Buildings intended for human occupancy, 840.2
- Buried piping, anchorage for, 835
 - at bends, 835.2
 - forces on pipe joints, 835.4
 - general information, 835.1
 - interconnection of underground lines, 835.6
 - restraint due to soil friction, 835.3
 - supports for buried piping, 835.5

- Carbon steel, 804.7.1
- Casing, insertion in,
 - of plastic piping, 842.3.3(e)
 - of steel piping, 841.1.11(d)

- Cast iron, 804.2
- Cast iron service lines; see *Ductile iron service lines*, 849.3
 - connections to mains, 849.6.2
 - use of, 849.3
- Check valve, 803.7
- Class location, change in, 854
 - description, 840.2.2
- Clearance between mains and other underground structures
 - of plastic piping, 842.2.8
 - of steel piping, 841.1.11(c)
- Cold climates, materials for use in, 814
 - corrosion control in, 864.2.8
- Cold expanded pipe, 804.4
- Cold springing, 805.1.4
 - of piping, 832.3(h)
- Combustible materials, storage of, in compressor stations, 853.1.5
- Compressor stations, 843
 - construction of building, 843.1.2
 - design of, 843.1
 - electrical facilities, 843.2
 - equipment, 843.3
 - cooling and lubrication failures, 843.3.6
 - emergency shutdown facilities, 843.3.3(a)
 - engine overspeed stops, 843.3.3(b)
 - explosion prevention, 843.3.7
 - fire protection, 843.3.2
 - fuel gas control, 843.3.5
 - gas treating facilities, 843.3.1
 - liquid removal, 843.3.1(a)
 - liquid removal equipment, 843.3.1(b)
 - mufflers, 843.3.7(a)
 - pressure-relieving and pressure-limiting requirements, 843.3.4
 - safety devices, 843.3.3
 - ventilations of building, 843.3.7(b)

- exits, 843.1.3
- fenced areas, 843.1.4
- location of building, 843.1.1
- piping, 843.4
 - air piping system, 843.4.3
 - air receivers, 843.4.3(e)
 - fuel gas piping, 843.4.2
 - gas piping, 843.4.1
 - testing of, 843.4.1(c)
 - hydraulic piping, 843.3.7
 - identification of valves and piping, 843.4.1(d)
 - installation of, 843.4.1(b)
 - lubrication oil piping, 843.4.4
 - specifications for, 843.4.1(a)
 - steam piping, 843.4.6
 - water piping, 843.4.5
- Compressors and prime movers, 853.1.1
- Construction specifications for plastic piping, 842.3.1
- Container, pipe, 804.3
- Control piping, 803.5
- Cooling and lubrication failures, 843.3.6
- Copper mains, 842.6
 - design of, 842.6.1
 - fittings in, 842.6.1(c)
 - galvanic corrosion, protection against, 842.6.1(e)
 - joints in, 842.6.1(d)
 - valves in, 842.6.1(b)
- Copper service lines, 849.5
 - connections to mains, 849.6.4
 - design of, 849.5.1
 - fittings in, 849.5.1(c)
 - galvanic action, protection against, 849.5.1(e)
 - installation of, 849.5.2
 - joints in, 849.5.1(d)
 - valves in, 849.5.1(b)
- Corrosion
 - control, 860
- Corrosion, pipeline
 - external, 861
 - in arctic environments, 865
 - in high-temperature service, 866
 - internal, 864
 - offshore, A860
 - records of, 860.1(e), 860.1(f)
 - stress corrosion and other phenomena, 867
- Cover and casing, requirements under railroads, roads, streets, or highways
 - plastic pipe, 842.2.7
 - steel pipelines and mains, 841.1.11
- Curb valve, 803.7
- Customer's meter, 803.6
- Damage prevention program, 850.8
- Depressurization, 851.13
- Design
 - of copper service lines, 849.5.1
 - of plastic service lines, 849.41
 - of steel service lines, 849.2.1
- Design, installation and testing, 840
 - classification of locations, 840.3
 - design factor, F , values of steel
 - pipe, Tables 841.1.6-1 and 841.1.6-2
 - design formula, steel pipe, 841.1.1
 - fabricated assemblies, steel, 841.1.9(a)
 - general provisions, 840.1
 - least nominal wall thickness, 841.1.5(a)
 - longitudinal weld joint quality factor, E , Table 841.1.7-1
 - pipe design values, limitations of, 841.1.3
 - population density indexes, 840.2
 - steel pipe, 841
 - temperature derating factor, T , Table 841.1.8-1
- Design factor, F
 - for clearance between containers and bottles, 844.3(d)
 - for steel piping, 841.1.1
- Design pressure, 805.2
- Design requirements for vaults, 847.1
- Diameter, 804.5
 - nominal outside, 804.5
- Dimensions
 - SI (metric) conversion, 801.4
 - standard, 801.3
- Direct burial of plastic piping, 842.3.3(d)
- Distribution facilities, abandoning of, 852.4
- Distribution main, 803.3
- Distribution piping maintenance, 852
 - distribution facilities, abandoning of, 852.4
 - leakage surveys, 852.2
 - patrolling, 852.1
- Distribution system, 803.3

- high-pressure, 803.3
- low-pressure, 803.3
- Ductile iron, 804.1
- Ductile iron pipe
 - design, 842.1.1
 - installation, 842.1.2
 - field joints, making, 842.1.2(d)
 - joint restraint, 842.1.2(c)
 - laying, 842.1.2(a)
 - joints, 842.1.1(e)
 - mechanical, 842.1.1(e)(1)
 - other, 842.1.1(e)(2)
 - threaded, 842.1.1(e)(3)
 - reuse of, 817.2
 - standard strength, and conformance to ANSI A21.5.2, 842.1.1(c)
 - standard thickness selection, Table 842.1.1-1
 - thickness, allowable, 842.1.1(d)
 - values of *s* and *f*, allowable, 842.1.1(b)
 - wall thickness, determination of, 842.1.1(a)
- Ductile iron service lines, 849.3
 - connections to mains, 849.6.2
 - use of, 849.3
- Elongation, specified minimum, 804.6
- Emergency plan, 850.4
- Emergency shutdown facilities for compressor stations, 843.3.3(a)
- Encroachment, parallel, 803.1
- Engine overspeed stops, 843.3.3(b)
- Exits in compressor stations, 843.1.3
- Expansion and flexibility of piping system components, 832
 - amount of expansion, 832.2
 - flexibility requirements, 832.3
- Explosion, prevention of, 843.3.7
- Exposed piping, supports and anchors for
 - attachment of supports or anchors, 834.5
 - forces on pipe joints, 834.4
 - materials, design, and installation, 834.3
 - provision for expansion, 834.2
- Failure, pipeline, investigation, 850.5
- Field joints, making, for ductile iron pipe, 842.1.2(d)
- Fire protection in compressor stations, 843.3.2
- Fittings
 - in copper mains, 842.6.1(c)
 - in copper service lines, 849.5.1(c)
- Fittings other than valves and flanges
 - branch connections, 831.3.3
 - special components fabricated by welding, 831.35
 - special fittings, 831.3.2
 - standard fittings, 831.3.1
- Flanges, light weight, App. I
- Flattening test for pipe, App. H
- Flexibility and stress intensification factors, App. E
- Flow control facilities
 - design of, 841.1.9(c), 841.1.9(f), 841.1.9(g), 841.1.9(h)
- Forces on pipe joints, 835.4
- Fracture control and arrest, 841.1.2
 - brittle fracture control, 841.1.2(a)
 - ductile fracture arrest, 841.1.2(b)
- Fuel gas control, 843.3.5
- Fuel gas piping, 843.4.2
- Galvanic corrosion, protection against, in copper mains, 842.6.1(e)
- Gas, 803.1
 - transportation of, 803.1
- Gas leakage control criteria, App. M
- Gas main, 803.3
- Gas piping
 - identification of valves and piping, 843.4.1(d)
 - installation of, 843.4.1(b)
 - specifications for, 843.4.1(a)
 - testing of, 843.4.1(c)
- Gas pressure, control and limiting of, 845
 - high-pressure system uprating for higher maximum allowable operating pressure, 857
 - in bottle-tight facilities, 845.2.1
 - in high-pressure distribution systems, 845.2.4
 - in low-pressure distribution systems, 845.2.5
 - instrument, control and sample piping, 845.5
 - limiting and relieving devices, proof of adequate capacity and satisfactory performance, 845.4.2
 - low-pressure distribution systems, conversion to high-pressure systems, 845.2.6
 - of gas delivered to domestic and small customers from high-pressure distribution systems, 845.2.7
 - operating pressure, maximum allowable for high-pressure distribution systems, 845.2.4(c)

- operating pressure, maximum allowable for low-pressure distribution systems, 845.2.5(c)
- operating pressure, maximum allowable for steel or plastic pipelines or mains, 845.2.2
- overpressuring, accidental, protection against, 845.1
- pressure-relieving and limiting stations, required capacity, 845.4.1
- relieving and limiting devices, design of, 845.3
- steel pipeline or main, uprating for higher maximum allowable operating pressure, 857
- Gas processing plant, 803.5
- Gas service line, 803.3
- Gas storage line, 803.4
- Gathering line, 803.4
- Gathering system, 803.4
- Gouges and grooves
 - detection of, 841.2.4(a)
 - field repair of, 841.2.4(b)
 - in plastic piping, field repairs of, 842.3.5
- Ground temperature, 805.2.2
- Handling, hauling, and stringing, 841.2.5(a)
- Hazards, protection from, for plastic piping, 842.2.6
- Headers, extruded, App. F
- Heat-fusion joint, 805.1.3(b)
- High-pressure distribution systems, 803.3
 - controlling pressure in, 845.2.4
 - maximum allowable operating pressure, 845.2.4(c)
 - uprating to higher maximum allowable operating pressure, 857
- Holders
 - bottle-type, 803.8, 844
 - general provisions, 844.5
 - in exclusive rights-of-way, 844.3(b)
 - special provisions, 844.4
 - pipe-type, 803.8, 844
 - general provisions, 844.5
 - in exclusive rights-of-way, 844.3(b)
 - in nonexclusive rights-of-way, 844.1
 - procedures for maintaining in safe operating condition, 853.2
- Hoop stress, 805.2.3
 - maximum allowable, 805.2.3
- Hot taps, 803.1
 - in plastic piping, 842.3.6
 - steel pipelines and mains, 841.2.6
- Hydraulic piping, 843.3.7
- Hydrostatic testing of pipelines in place, App. N
- Ignition, accidental, prevention of, 850.6
- Inquiries, App. O
- Inspection of plastic piping, 842.3.2
- Installation
 - backfilling, 841.2.5(c)
 - of copper lines, 849.5.2
 - of customers' meters and regulators, 848.4
 - of pipe in ditch, 841.2.5(b)
 - handling, hauling, and stringing, 841.2.5(a)
 - hot taps, 841.2.6
 - miscellaneous operations in, 841.2.5
 - of steel pipelines and mains, 841.2
 - of pipeline by directional drilling, 841.129
 - of plastic service lines into buildings, 849.4.2(c)
 - of service lines, general provisions, 849.1.1
 - of steel service lines, 849.2.2
 - in bores, steel, 849.2.2(a)
 - into or under buildings, 849.2.2(b)
- Instrument, control, and sample piping for controlling gas pressure, 845.5
- Instrument piping, 803.5
- Intent of Code, 802.2
- Internal corrosion control, 864
- Interpretations to Code, inquiries concerning, App. O
- Joints; see *Length*, 804.5
 - ductile iron, 842.1.1(e)
 - in copper service lines, 849.5.1(d)
 - plastic pipe, 842.2.9
- Leak records, in pipelines, 851.6
- Leakage investigation terms, App. M
- Leakage survey, in distribution piping, 852.2
- Length, 804.5
- Limiting and relieving devices, proof of adequate capacity and satisfactory performance, 845.4.2
- Liquid removal in compressor stations, 843.3.1(a)
 - equipment for, 843.3.1(b)
- Location
 - of compressor buildings, 843.1.1
 - of valves
 - distribution system, 846.2.2

- transmission, 846.2.1
- Location class, 805.1.1, 840.2
- Long-term hydrostatic strength, 805.1.3
- Low-pressure distribution systems, 803.3
 - controlling pressure in, 845.2.5
 - conversion to high-pressure system, 845.2.6
 - maximum allowable operating pressure, 845.2.5(c)
- LPG systems, 803.1.9
 - safety requirements for, 856.1
 - odorization, 856.1
 - ventilation, 834.3.7(c)
- Lubricating oil piping, 843.4.4
- Mains, gas, 803.3
- Mains
 - clearance between mains and other underground structures, plastic piping, 842.2.8
 - location of service line connections to, 849.1.4
- Maintenance
 - compressor station, 853.1
 - combustible materials, storage of, 853.1.5
 - compressors and prime movers, 853.1.1
 - isolation of equipment, 853.1.4
 - relief valves, inspection and testing, 853.1.2
 - pipeline, 851
 - external corrosion control, 861
 - internal corrosion control, 864
 - markers, 851.6
 - patrolling, 851.2
 - pipeline leak records, 851.6
 - records of corrosion, 860.1(e), 860.1(f)
- Markers on pipelines, 851.7
- Marking of materials and equipment, 813
- Marking of materials or components, multiple, 813.3
- Material specifications approved for use under this Code, App. A
- Materials and equipment, 810
 - qualification of, 811
- Materials for use in cold climates, 812
- Maximum allowable hoop stress, 805.2.3
- Maximum allowable operating pressure, 805.2.1
- Maximum allowable test pressure, 805.2.1
- Maximum operating pressure, 805.2.1
- Meters, 803.6
- Meter facilities design, 841.1.9(c), 841.1.9(d), 841.1.9(e), 841.1.9(h)
- Meter set assembly, 803.6
- Meters and regulators, customers', 803.6, 848
 - installation of, 848.4
 - location for, 848.1
 - operating pressure for, 848.2
 - protection from damage, 848.3
- Miscellaneous systems, 803.5
- Monitoring regulator, 803.6
- Mufflers (silencers), 843.3.7(a)
- Multilayered reinforced thermoplastic piping systems (MRTPS), 842.5
 - design, 842.5.1
 - general provisions, 842.5.1(a)
 - pressure, 842.5.1(b)
 - examination, inspection, and testing after construction, 842.5.3
 - pressure test, 842.5.3(a)
 - safety during testing, 842.5.3(d)
 - test requirements, 842.5.3(b)
 - tie-ins, 842.5.3(c)
 - installation, 842.5.2
 - construction specifications, 842.5.2(a)
 - corrosion prevention, 842.5.2(h)
 - field repairs of defects, 842.5.2(g)
 - identification, 842.5.2(e)
 - insertion in casing, 842.5.2(f)
 - inspection and handling provisions, 842.5.2(b)
 - installation provisions, 842.5.2(d)
 - unspooling provisions, 842.5.2(c)
- Multiple marking of materials and components, 813.3
- Nominal outside diameter, 804.5
- Nominal wall thickness, 804.5
- Odorization, 856.1
 - in LPG systems, 856.1
- Offshore
 - above-water and hyperbaric repair procedures for steel pipelines, A851.4
 - accidental loads, A803
 - allowable longitudinal stress, A842.1.3
 - allowable strains, A842.1.4
 - alternate design for strain, A842.2.3
 - alternative flaw acceptance limits, A826.2.3
 - anchorage for buried piping, A835
 - anchoring, A844.2.5

atmospheric corrosion, A861.4
 atmospheric protection, A861.2
 backfilling, A844.2.4
 below-water repair procedures for steel pipelines, A851.4.5
 blasting effects, A850.7
 bottom soils, A841.25, A844.2.2
 breakaway coupling, A803
 buckle, A803
 arrestor, A803
 detector, A803
 buckling, A842.1.1
 cathodic protection requirements, A862.1.2, A862.1
 coating requirements, A862.1.1
 collapse, A842.1.2
 column buckling, A803
 combined stress, A842.2.2(c)
 compressor, station design, A843.1
 station equipment, A843.3
 stations, A843
 conditions for the reuse and requalification of pipe, A817
 connectors, A803
 corrosion control of offshore pipelines, A860
 design against
 buckling and ovalization, A842.2.4
 fatigue, A842.2.5
 fracture, A842.2.6
 yielding, A842.2.2(b)
 design, and protection of special assemblies, A842.2.10
 conditions, A841.1
 considerations, A841
 environmental loads, A841.3.3
 factors for offshore pipelines, platform piping, and pipeline risers, Table A842.2.2-1
 design, installation, and testing, A840
 design of
 clamps and supports, A842.2.7
 connectors and flanges, A842.2.8
 flexible pipe, A842.2.11
 structural pipeline riser protectors, A842.2.9
 design storm conditions, A844.1
 educational program, A850.4.4
 electrical
 connections and monitoring points, A861.1.4
 facilities, A843.2
 interference, A861.1.7
 isolation, A861.1.3
 emergency shutdown facilities, A843.3.3(a)
 enclosures, A843.1.2
 environment loads, A841.2.3
 essential features plans, A850.3, A850.4
 examination when exposed, A860.2(e)
 existing installations, A860.2
 exits, A843.1.3
 expansion and flexibility, A832
 extent of examination, A826.2.1
 external corrosion control, A861
 external hydrostatic pressure, A803
 facilities, A843.3.4
 flexible pipe, A803, A842.1.8
 gas transmission, A800
 gas transmission terms and definitions, A803
 general, A821, A830.1, A864.1
 general information, A801
 general provisions, A840.1, A847.1
 hoop stress, A842.2.2(a)
 hyperbaric weld, A803
 inspection and tests for quality control of welds on piping systems, A826.2
 inspection of welds, A826
 offshore pipelines, A820
 processes, A821.2
 welding procedure, A821.3
 installation fatigue, A842.1.5
 intent, A802.2
 internal corrosion control, A864
 liaison, A850.4.3
 loading classifications, A841.3.1
 loads imposed by construction equipment and vessel motions, A841.2.4
 location class, A854
 location of compressor facilities, A843.1.1
 longitudinal stress, A842.2.2(b)
 material specifications, A814
 on-bottom stability, A844
 operating and maintenance procedures affecting the safety of gas transmission facilities, A850
 operational, and design criteria, A842.2.1
 design considerations, A841.3

- loads, A841.3.2
- operations, general, A850.1
- pipe collapse, A803
- pipeline, maintenance, A851
 - markers and signs, A851.7
 - patrolling, A851.2
- pipelines, A851.4
- pipeline system, A803
- piping system components, A831
- platform, A803
- platform piping, A803
- pressure-relieving and pressure-limiting requirements for offshore
 - compression facilities, A843.3.4
- profile, A841.2.2
- propagating buckle, A803
- pull tube, A803
 - riser, A803
- qualification, of materials and equipment, A811
 - of procedures and welders, A823
- records, A847.5
- repair of flexible pipe, A851.4.6
- requalification of pipeline systems, A817.4
- residual stresses, A842.1.7
- return interval, A803
- reuse of steel pipe, A817.1
- riser pipe or pipes installed through a pull tube, A842.1.7
- safety devices, A843.3.3
- scope, A802.1, A821.1, A860.1
 - and intent, A802
- shore approaches, A844.3
- shoreline approaches, A840.2
- slope failure, A844.4
- soil liquefaction, A803, A844.5
- special assemblies, A842.1.6
- splash zone, A803
- stability against waves and currents, A844.2
- standard of acceptability, A826.2.2
- strength considerations, A842
 - during installation, A842.1
 - during operations, A842.2
- submerged installations, A861.1
- submerged weight, A844.2.1
- supports and anchorage for exposed piping, A834
- system components and fabrication details, A830
- test, conditions
 - medium, A847.3
 - pressure, A847.2
 - procedure, A847.4
- testing, A847
 - for buckles, A847.7
 - tie-ins, A847.6
- transmission facilities, A850
- trenching, A844.2.3
- valves, A846
- vent piping, A843.3.4(c)
- weight, A841.2.1
 - coating, A803
- Operating and maintenance procedures, 850
 - features of plan, 850.3
 - requirements, 850.2
- Operating, classification of locations, 850.1(b), Table 854.1(c)
- Operating company, 803.1
- Operating pressure
 - maximum, 805.2.1
 - maximum allowable, 805.2.1
 - maximum allowable for steel or plastic pipelines or mains, 845.2.2
 - uprating for higher maximum allowable, 857
- Operating stress, 805.2.3
- Overpressure protection, 805.2.1
- Overpressuring, protection against accidental, 845.1
- Parallel encroachment, 803.1
- Patrolling
 - distribution mains, 852.1
 - pipelines, 851.2
- Pipe, 804.4
 - cold expanded, 804.4
 - container, 804.3
 - manufacturing process, 804.7.3
- Pipelines, 803.1
 - arc burns, 841.2.4(d)
 - elimination of, 841.2.4(e)
 - electrical test leads, steel, 861.1.4
 - failure investigation, 850.5
 - installation, miscellaneous operations in, 841.2.5
 - backfilling, 841.2.5(c)
 - handling, hauling, and stringing, 841.2.5(a)
 - hot taps, 841.2.6

- installation in ditch, 841.2.5(b)
- leak tests for operating at less than 100 psi, 841.3.5
- leak tests for operating at 100 psi or more, 841.3.4
- on private rights-of-way of electric transmission lines, 845.3(c), 850.6(c)
- precautions for avoiding explosions during construction, 841.2.7
- protective coatings for underground piping,
 - inspection of existing steel, 860.2(e)
 - new steel, 861.1.1
- purging, 841.2.7(e)
- repair of, at hoop stress levels at or above 30% SMYS, 851.4
- surveillance of, 851.1
- test requirements, 841.3
 - at hoop stress levels of less than 30% of yield, 841.3.3, Table 841.3.3-1
 - at hoop stress levels of 30% or more of yield, 841.3.2, Table 841.3.2-1
- testing after construction, 841.3
- tests, safety during, 841.3.6
- Pipelines and mains
 - clearance between other underground structures, 841.1.11(c)
 - cover requirements
 - mains, 841.1.11(a)
 - pipelines, 841.1.11(b)
 - dents, 841.2.4(c)
 - gouges and grooves
 - detection of, 841.2.4(a)
 - field repair of, 841.2.4(b)
 - pipe surface requirements for a hoop stress of 20% or more of yield, 841.2.4
 - protection from hazards, 841.1.10
 - requirements for casings under railroads, highways, roads, or streets, 841.1.11(d)
 - steel
 - bends, miters, and elbows, 841.2.3
 - construction specifications, 841.2.1
 - corrosion
 - external criteria, 861
 - internal criteria, 864
 - inspection provisions, 841.2.2
 - installation of, 841.2
 - material specifications, 814.1.2
 - reuse of steel pipe, 856.1
- Pipe-type holder, 803.8
- Piping, compressor station, 843.4
 - gas, 843.4.1
- Piping systems, 803.2
- Piping system components, 831
 - branch connections, welded, reinforcement of, 831.4
 - general requirements, 831.4.1
 - special requirements, 831.4.2
 - buried piping, anchorage for, 835
 - at bends, 835.2
 - forces on pipe joints, 835.4
 - general, 835.1
 - interconnection of underground lines, 835.6
 - restraint due to soil friction, 835.3
 - supports for buried piping, 835.5
 - combined stress calculations, 833.4
 - expansion and flexibility, 832
 - amount of expansion, 832.2
 - flexibility requirements, 832.3
 - cold-springing, 832.3(h)
 - exposed piping, supports and anchorage for, 834
 - attachment of supports or anchors, 834.5
 - forces on pipe joints, 834.4
 - general, 834.1
 - materials, design, and installation, 834.3
 - provision for expansion, 834.2
 - extruded outlets, 831.6
 - fittings other than valves and flanges, 831.3
 - branch connections, 831.3.3
 - special connections fabricated by welding, 831.3.5
 - special fittings, 831.3.2
 - standard fittings, 831.3.1
 - flanges, 831.2
 - assembly, 831.2.4
 - bolting, 831.2.2
 - flange types and facings, 831.2.1
 - gaskets, 831.2.3
 - multiple openings, reinforcement of, 831.5
 - pressure-reducing devices, 831.1.3
 - valves, 831.1
- Plastic, 804.1
- Plastic fittings, design pressure, 842.2.4
 - joints and connections
 - adhesive joints, 842.2.9(e)
 - general provisions, 842.2.9(a)

- heat-fusion, 842.2.9(d)
- joint requirements, 842.2.9(b)
- mechanical joints, 842.2.9(e)
- solvent cement joints, 842.2.9(c)
- materials, qualification of, 814.1.4
- reuse of, 817.3
- standard dimension ratio, Table 842.2.2-1
- testing after construction
 - general, 842.4.1
 - safety during, 842.4.3
 - test requirements, 842.4.2
 - tie-ins, 842.4.1
- Plastic terms, 805.1.3
- Plastic piping
 - clearance between mains and other underground structures, 842.2.8
 - cover and casing requirements under railroads, roads, streets, or highways, 842.2.7
 - design formula, 842.2.1
 - design of, general, 842.2
 - installation of, 842.3
 - bends, 842.3.4
 - branches, 842.3.4
 - construction specifications, 842.3.1
 - gouges and grooves, field repair of, 842.3.5
 - handling, 842.3.2
 - hot taps, 842.3.6
 - insertion of casing, 842.3.3(e)
 - inspection, 842.3.2
 - installation, 842.3.3
 - direct burial, 842.3.3(d)
 - purging, 842.3.7
 - protection from hazards, 842.2.6
 - thermoplastic design, limitation of, 842.2.2
 - valves in, 842.2.5
- Plastic service lines, 849.4
 - connections to mains, 849.6.3
 - design of, 849.4.1
 - installation of, 849.4.2
 - into or under buildings, 849.4.2(c)
- Precautions for avoiding explosions during construction, 849.2.7
- Pressure, 805.2.1
 - control; see *Regulators*, 803.6
 - domestic, small commercial, and industrial customers, 845.2.7
 - monitoring regulator, 803.6
 - overpressure protection, 805.2.1
 - pressure-limiting station, 803.6
 - pressure-regulating station, 803.6
 - pressure-relieving station, 803.6
 - design, 805.2.1
 - maximum allowable operating, 805.2.1
 - maximum allowable test, 805.2.1
 - maximum operating, 805.2.1
 - normal utilization; see *Standard service pressure*, 805.2.1
 - standard service, 805.2.1
 - test, stand-up, 805.2.1
- Pressure control facilities,
 - design of, 841.1.9(c), 841.1.9(f), 841.1.9(g), 841.1.9(h)
- Pressure-limiting and pressure-regulating stations, maintenance of, 853.3
- Pressure-relieving and pressure-limiting requirements for compressor stations equipment, 843.3.4
- Pressure-relieving and limiting stations, required capacity, 845.4.1
- Pressure test, stand-up, 805.2.1
- Private rights-of-way, 803.1
- Production facility, 803.5
- Proprietary items, 804.3, 811.1(e), 811.2.4
- Protection against galvanic action in copper service lines, 849.5.1(e)
- Purging
 - of pipelines and mains, 841.2.7(e)
 - plastic piping, 842.3.7
- Regulator, 803.6
 - monitoring, 803.6
 - service, 803.6
- Relieving and limiting devices, design of, 845.3
- Relieving station; see *Pressure-relieving station*, 803.6
- Relief valves, inspection and testing of, in compressor stations, 853.1.2
- Repair procedures
 - design, 841.2.4
 - operations, 851.4
- Restraint due to soil friction, 835.3
- Revisions to Code, inquiries concerning, App. O
- Rights-of-way, exclusive
 - bottle-type holders in, 844.3

- pipe-type holders in, 844.3
- Rights-of-way, private, 803.1
- Safety
 - devices for compressor stations, 843.3.3
 - during tests of pipelines and mains, 841.3.6
 - during tests of plastic pipe, 842.4.3
- Sample piping, 803.5
- Scope of Code, 802.1
- Secondary stress, 805.2.3
- Sealing of vaults, 847.3
- Service lines, 849
 - gas, 803.3
 - installation of, 849.1.1
 - location of service line connections to main piping, 849.1.4
 - location of valves, 849.1.3
 - plastic
 - connections to mains, 849.6.5
 - design of, 849.4.1
 - installation of, 849.4.2
 - into or under buildings, 849.4.2(c)
 - steel, 841.2
 - connections to mains, 849.6.1
 - design of, 849.2.1
 - installation of, 849.2.2
 - in bores, 849.2.2(a)
 - into buildings, 849.2.2(b)
 - testing of, after construction, 849.1.5
 - requirements, 849.1.5(b)
 - valves suitable for, 849.1.2
 - valve, 803.7
- Service pressure, standard, 805.2.1
- Service regulator, 803.6
- Solvent cement joint, 805.1.3
- Sour gas terms, B803 (Ch. IX)
- Spacing required for valves, 846.1
- Specification for equipment, 815
- Specification of materials, 814
- Specified minimum elongation, 804.6
- Specified minimum tensile strength, 804.6
- Specified minimum yield strength, 804.6
- Standard dimension ratio, 805.1.3
- Standard service pressure, 805.2.1
- Standards and specifications, 801.1
 - approved for use under this Code, App. A
- Stand-up pressure test, 805.2.1
- Station
 - pressure-limiting, 803.6
 - pressure-regulating, 803.6
 - pressure-relieving, 803.6
- Steam piping, 843.4.6
- Steel
 - alloy, 804.7.2
 - carbon, 804.7.1
- Steel pipe
 - reuse of used, 817.1
 - bending properties, 817.1.3(b)
 - determination of nominal wall thickness, 817.1.3(c)
 - hydrostatic test, 817.1.3(i)
 - inspection of, 817.1.3(a)
 - joint, longitudinal, 817.1.3(d)
 - S value, 817.1.3(h)
 - surface defects, 817.1.3(f)
 - weldability, 817.1.3(e)
 - yield strength, determination of, 817.1.3(g)
- Stop valve, 803.7
- Storage field, 803.2
- Strength
 - long-term hydrostatic, 805.1.3
 - specified minimum tensile, 804.6
 - specified minimum yield, 804.6
 - tensile, 804.6
 - yield, 804.6
- Stress, 805.6
 - combined, 833.4
 - hoop, 805.2.3
 - maximum allowable, 805.2.3
 - operating, 805.2.3
 - secondary, 805.2.3
 - unit; see *Stress*, 805.2.3
 - wall thickness, nominal, 804.5
- Stress corrosion and other phenomena, 867
- Supports and anchors for exposed piping
 - attachment of, 834.5
 - forces on pipe joints, 834.4
 - materials, design, and installation, 834.3
 - provision for expansion, 834.2
- Supports for buried piping, 835.5

- Surveys, leakage investigation, App. M
- Temperature, 805.2.2
 ambient, 805.2.2
 ground, 805.2.2
- Tensile strength, 804.2.3
 specified minimum, 804.6
- Test pressure, maximum allowable, 805.2.1
- Test requirements for pipelines, 841.3
 at hoop stress levels of less than 30% of yield, 841.3.3, Table 841.3.3-1
 at hoop stress levels of 30% or more of yield, 841.3.2, Table 841.3.2-1
- Testing repairs, 851.4
- Tests of welders, App. G
- Thermoplastic, 804.1
- Thermoplastic design, limitations of, 842.2.2
- Thermoplastic pipe, wall thickness and standard dimension ratio, Table 842.2.2-1
- Thermosetting plastic, 804.1
- Thermosetting plastic design, limitations of, 842.2.3
- Thermosetting plastic pipe, diameter and wall thickness, Table 842.2.3-1
- Training and qualification of personnel, 807
- Transmission facilities, abandoning of, 851.8
- Transmission line, 803.2
- Transmission system, 803.2
- Transportation of gas, 803.1
- Transportation of line pipe, 816
- Unit stress; see *Stress*, 805.2.3
- Upgrading, 805.2.4, 857
- Utilization pressure, normal; see *Standard service pressure*, 805.2.1
- Valves, 803.7
 cast iron, 831.1.1(c)
 check, 803.7
 curb, 803.7
 ductile iron, 831.1.1(b)
 in compressor stations, 831.1.1(a), 843.4.1(a)
 in copper mains, 842.6.1(b)
 in copper service lines, 849.5.1(b)
 location of
 distribution system, 846.2.2
 service line, 849.1.3
 transmission, 846.2.1
 maintenance of, 853.4
 distribution system, 853.4.2
 pipeline, 853.4.1
 service line, 853.4.3
 service line, 803.7
 spacing, required, 846.1
 spacing, revised, 854.4
 stop, 803.7
 suitable for service line, 849.1.2
- Vaults, 803.1, 847
 accessibility, 847.2
 drainage and waterproofing of, 847.4
 maintenance of, 853.5
 sealing, venting, and ventilation, 847.3
 structural design requirements, 847.1
- Ventilation
 of building in compressor stations, 843.3.7(b)
 in LPG systems, 843.3.7
 of vaults, 847.3
- Wall thickness
 ductile iron, determination of, 842.1.1(a)
 nominal, 804.5
- Water piping, 843.4.5
- Welders, qualifications for, 823
- Welding, 820
 butt welds, preparation for, 822.1
 fillet welds, preparation for, 822.2
 general information, 821
 inspection and tests
 piping systems with hoop stress levels less than 20% of yield strength, 826.2
 piping systems with hoop stress levels of 20% or more of yield strength, 826.3
 on bottle-type holders, 844.4(c)
 preheating, 824
 preparation for, 822
 qualification of procedures and welders, 823
 piping systems with hoop stress less than 20% of yield strength, 823.1
 piping systems with hoop stress levels of 20% or more of yield strength, 823.2
 records, qualification, 823.4
 requalification requirements for welders, 823.3

ASME B31.8-2022

variables requiring separate qualification,
823.2.3
welders, 823
seal welds, preparation, 822.3
special components fabricated by, 831.3.5
standards of acceptability, 821.4
stress relieving, 825
equipment, 825.8
methods, 825.7
temperature, 825.6
terms, 821.7
Yield strength, 804.6
specified minimum, 804.6
specified minimum for steel and iron pipe, App. D

ASME B31.8-2022

ISBN 978-0-7918-7542-1

